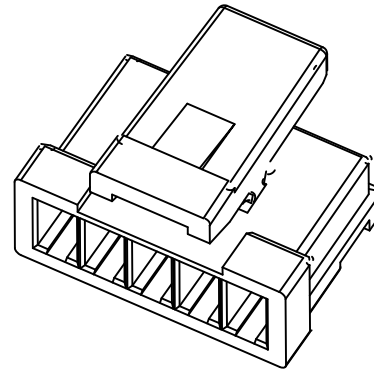
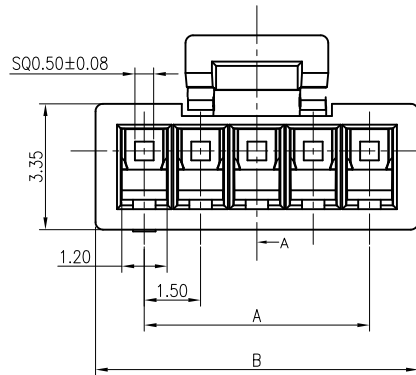
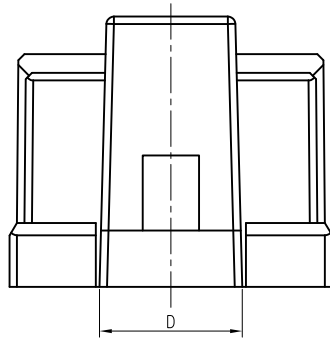
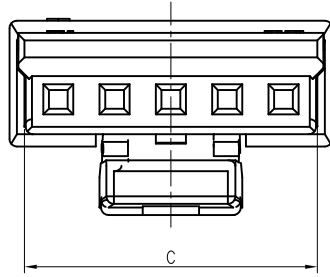
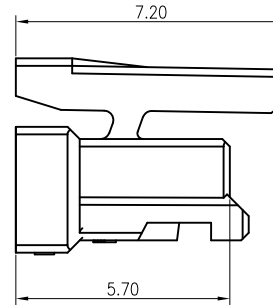


RoHS
COMPLIANT



3D View




◆ SPECIFICATIONS





- Current rating: 2.5A AC, DC
- Voltage rating: 250V AC, DC
- Temperature range: -40°C ~ +105°C
- Insulation resistance: 1000MΩ Min.
- Withstanding voltage: 500V AC/ minute.
- Contact resistance: 20mΩ Max.

Material: Insulator: Nylon 66 UL 94V-0
Suitable KR1500 Series Terminal
Mates With KR1500 Series Wafer

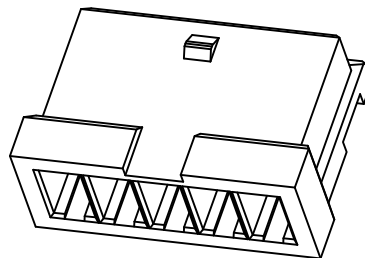
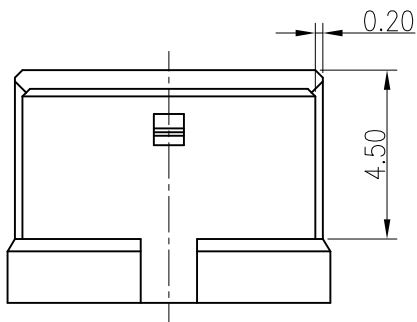
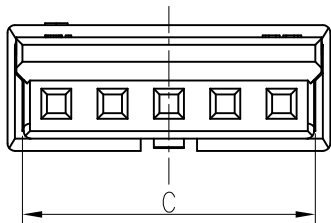
Ordering Code:

H150001**010*A
 102=2P ——— 00:Have buckle Halogen free 
 02:Have buckle
 103=3P... — 01:PA66 UL94 V-0 white
 02:PA66 UL94 V-0 black

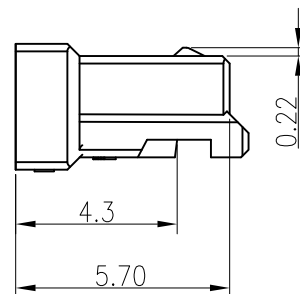
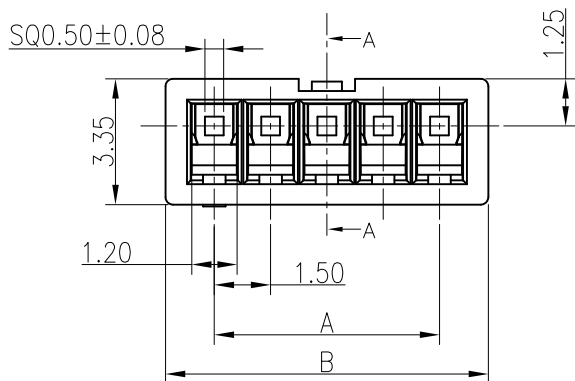
Dimensions				
Pin	A	B	C	D
2P	1.50	4.10	3.30	2.40
3P	3.00	5.60	4.80	2.40
4P	4.50	7.10	6.30	3.80
5P	6.00	8.60	7.80	3.80
6P	7.50	10.10	9.30	3.80
7P	9.00	11.60	10.80	3.80
8P	10.50	13.10	12.30	5.80
9P	12.00	14.60	13.80	5.80
10P	13.50	16.10	15.30	5.80
11P	15.00	17.60	16.80	5.80
12P	16.50	19.10	18.30	5.80
13P	18.00	20.60	19.80	5.80
14P	19.50	22.10	21.30	5.80
15P	21.00	23.60	22.80	5.80

F		Add specification	ZSZ	2024.01.15	TOLERANCE X.X ±0.30 X.XX ±0.20 X.XXX ±0.10 Angle ±2°	TITLE: MX1.5 Housing Have Buckle	DRAWN: Shen 2021.09.28	KONNRA 东莞市康瑞电子有限公司 DongGuan Konnra Electronics Co.,Ltd.	
		Uniformly arrange the drawings	Shen	2021.09.28					CHECKED:
		Change the part number and frame format	TLX	2020.03.28					APPROVED:
MARK	REVISION DESCRIPTION	SIGNATURE	DATE	UNIT:mm	SCALE:1/1	SHEET:1/1	PROJECTION 	REV.:A04	DRAWING NO.:1500H02-A-S

RoHS
COMPLIANT
Red P
COMPLIANT



3D View



◆ SPECIFICATIONS

- Current rating: 2.5A AC, DC
- Voltage rating: 250V AC,DC
- Temperature range: -40°C ~ +105°C
- Insulation resistance: 1000MΩ Min.
- Withstanding voltage: 500V AC/ minute.
- Contact resistance: 20mΩ Max.

Material: Insulator: Nylon 66 UL 94V-0
Suitable KR1500 Series Terminal
Mates With KR1500 Series Wafer

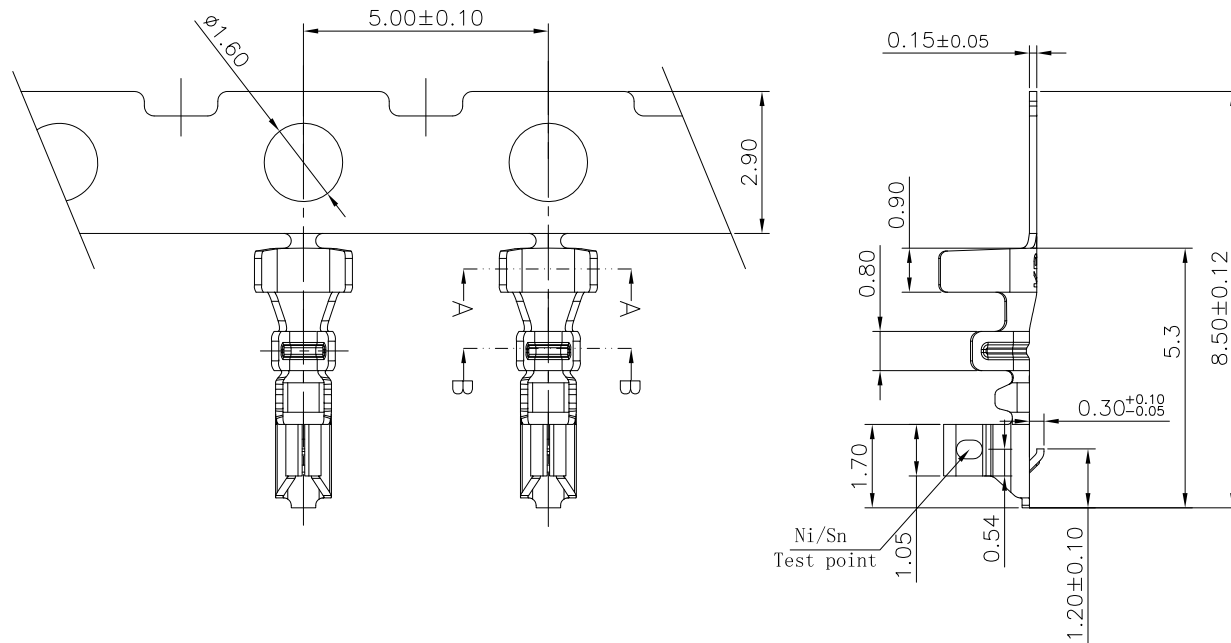
Ordering Code:

H15000 1** 0* 0* A
 102=2P
 103=3P.....
 01:Conventional products
 11:adding glass fiber
 10:Halogen free
 01:PA66 UL94 V-0 white
 02:PA66 UL94 V-0 black

Dimensions				
Pin	A	B	C	D
2P	1.50	4.10	3.30	2.40
3P	3.00	5.60	4.80	2.40
4P	4.50	7.10	6.30	3.80
5P	6.00	8.60	7.80	3.80
6P	7.50	10.10	9.30	3.80
7P	9.00	11.60	10.80	3.80
8P	10.50	13.10	12.30	5.80
9P	12.00	14.60	13.80	5.80
10P	13.50	16.10	15.30	5.80
11P	15.00	17.60	16.80	5.80
12P	16.50	19.10	18.30	5.80
13P	18.00	20.60	19.80	5.80
14P	19.50	22.10	21.30	5.80
15P	21.00	23.60	22.80	5.80

F		Add specification	ZSZ	2024.01.15	TOLERANCE X.X ±0.30 X.XX ±0.20 X.XXX ±0.10 Angle ±2°	TITLE: MX1.5 Housing	DRAWN: Shen 2021.09.28		KONNRA 东莞市康瑞电子有限公司 DongGuan Konnra Electronics Co.,Ltd.	
		Add specification	ZSZ	2022.09.28			CHECKED:			
		Uniformly arrange the drawings	Shen	2021.09.28			APPROVED:			
MARK	REVISION DESCRIPTION	SIGNATURE	DATE	UNIT:mm	SCALE:1/1	SHEET:1/1	PROJECTION	REV.:A05	PART NO.:H150001**0***A DRAWING NO.:1500H01-A-S	

RoHS
COMPLIANT



◆ SPECIFICATIONS

- Current rating: 2.5A AC, DC
- Voltage rating: 250V AC, DC
- Temperature range: $-40^{\circ}\text{C} \sim +105^{\circ}\text{C}$
- Insulation resistance: $1000\text{M}\Omega$ Min.
- Withstanding voltage: 500V AC/ minute.
- Contact resistance: $20\text{m}\Omega$ Max.

Material: Phosphor Bronze

Finish: Spec1: Tin-plated over Nickel

spec2: Gold-plated over Nickel

Applicable Wires:

AWG#24~#28

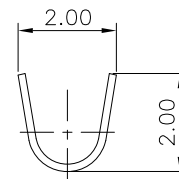
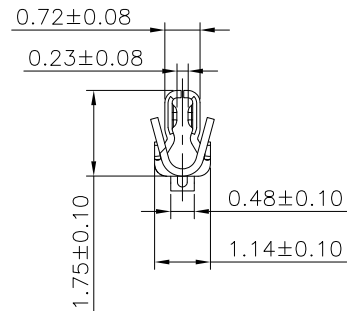
Insulation O.D. : 0.70~1.10mm MAX

Suitable 1500 series Series Housing

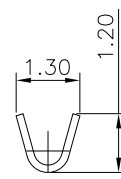
Q'ty/reel: 15,000PCS

Ordering Code: T15000P***01A

S00:Material
T01:Bright Tin
G01:Au 0.8u"



A-A SECTION



B-B SECTION

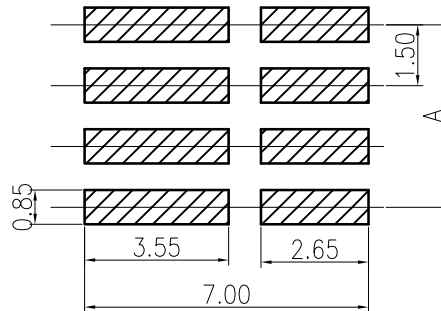
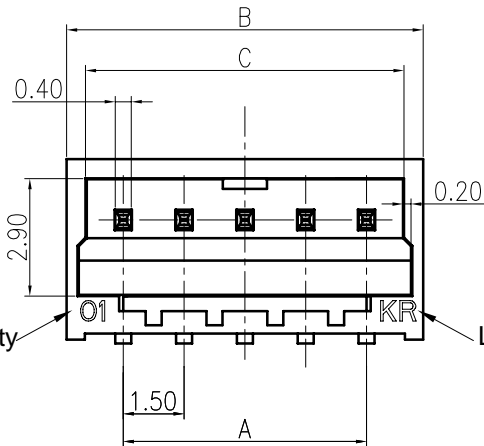
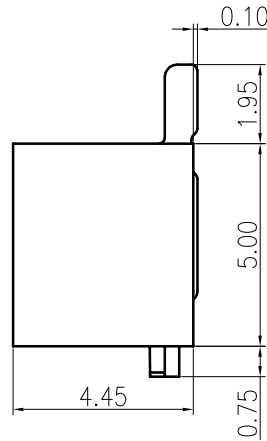
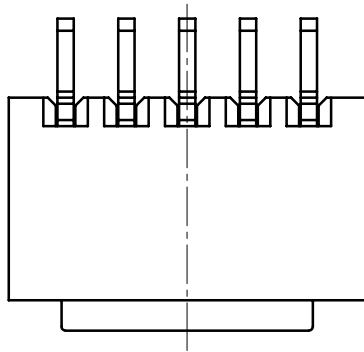
MARK	REVISION DESCRIPTION	SIGNATURE	DATE	TOLERANCE	TITLE:	UNIT:mm	SCALE:1/1	SHEET:1/1	PROJECTION	REV.:A4	DRAWING NO.:1500T01-A-S
A4	Changed packing	zsz	2021.12.31	X.X ± 0.30	MX1.5 Terminal	DRAWN: Shen 2021.09.28	CHECKED:	APPROVED:	REV.:A4	DRAWING NO.:1500T01-A-S	
A3	Uniformly arrange the drawings	Shen	2021.09.28	X.XX ± 0.20							
A2	Change the part number and frame format	TLX	2020.05.14	X.XXX ± 0.10							
				Angle $\pm 2^{\circ}$							

KONNRA 东莞市康瑞电子有限公司

DongGuan Konnra Electronics Co.,Ltd.

PART NO.:T15000P***01A

RoHS
COMPLIANT



P.C.Board Layout

SPECIFICATIONS

1. Current rating: 2.5A Max. AC, DC
2. Voltage rating: 250V AC,DC
3. Temperature range: -40°C ~ +105°C
4. Insulation resistance:1000MΩ Min.
5. Withstanding voltage: 500V AC/ minute.
6. Contact resistance: 20mΩ Max.

Material:

Insulator: LCP UL 94V-0
Contact: Brass
Plating: Tin plated over Nickel
Suitable: KR1500 series Housing

Ordering Code:

C1500RS 1** 13 M01 01 R A

02: 2P
15: 15P

13: LCP Natural

M01: Matte tin

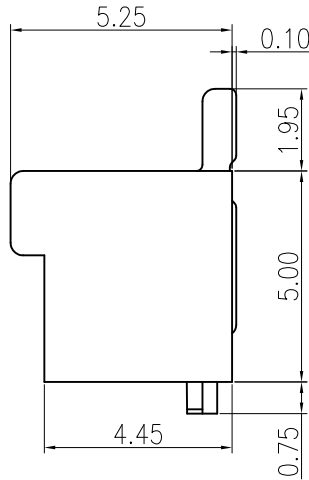
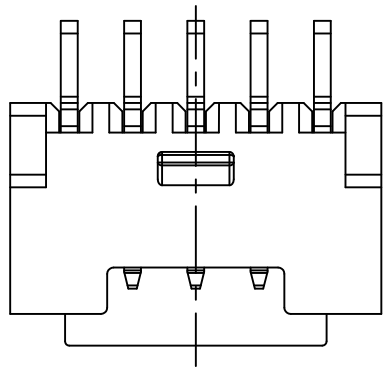
R: Reel
P: Bag

Dimensions

Pin	A	B	C
2P	1.50	4.30	3.35
3P	3.00	5.80	4.85
4P	4.50	7.30	6.35
5P	6.00	8.80	7.85
6P	7.50	10.30	9.35
7P	9.00	11.80	10.85
8P	10.50	13.30	12.35
9P	12.00	14.80	13.85
10P	13.50	16.30	15.35
11P	15.00	17.80	16.85
12P	16.50	19.30	18.35
13P	18.00	20.80	19.85
14P	19.50	22.30	21.35
15P	21.00	23.80	22.85

F	Uniform identification and cavity number locations	Arvin	2022.05.30	TOLERANCE X.X ±0.30 X.XX ±0.20 X.XXX ±0.10 Angle ±2°	TITLE: MK1.5 SMT 90° Wafer	DRAWN: Shen 2021.10.15		KONNRA 东莞市康瑞电子有限公司 DongGuan Konnra Electronics Co., Ltd.	
	Uniformly arrange the drawings	Shen	2021.10.15			CHECKED:			
	Change the part number and frame format	Ru yi	2020.3.10			APPROVED:		PART NO. : C1500RS1**13M0101*A	
	MARK	REVISION DESCRIPTION	SIGNATURE			DATE	UNIT: mm	SCALE: 1/1	SHEET: 1/1

RoHS
COMPLIANT



◆ SPECIFICATIONS

- Current rating: 2.5A AC, DC
- Voltage rating: 250V AC, DC
- Temperature range: -40°C ~ +105°C
- Insulation resistance: 1000MΩ Min.
- Withstanding voltage: 500V AC/ minute.
- Contact resistance: 20mΩ Max.

Material:

Insulator: LCP UL 94V-0
Contact: Brass
Plating: Tin plated over Nickel
Suitable: KR1500 series Housing

C1500RS1** ** M0102RA

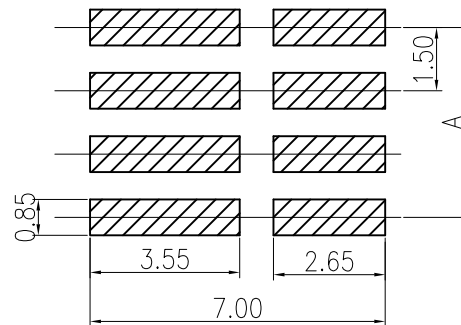
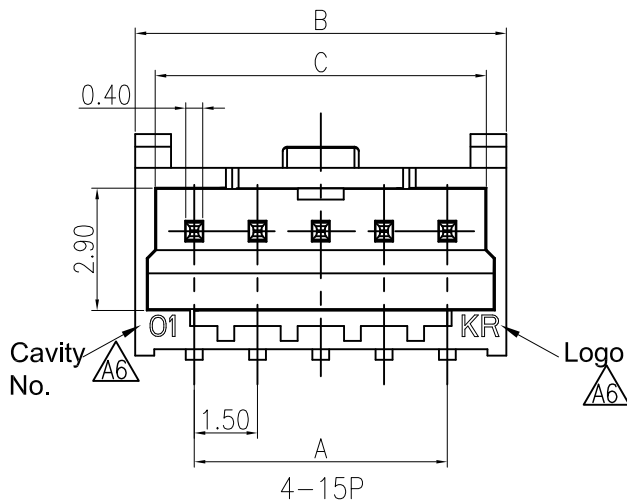
02: 2P
16: 16P

R: REEL
P: BAG

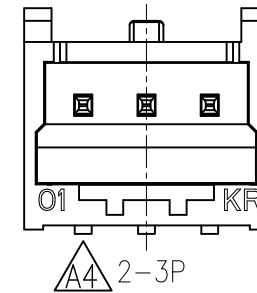
13: LCP NATURAL
14: LCP Black

02: routine
07: Halogen free with buckle

M01: MATTE TIN
G01: Gold flash



P.C.Board Layout



Dimensions				
Pin	A	B	C	
2P	1.50	4.30	3.35	
3P	3.00	5.80	4.85	
4P	4.50	7.30	6.35	
5P	6.00	8.80	7.85	
6P	7.50	10.30	9.35	
7P	9.00	11.80	10.85	
8P	10.50	13.30	12.35	
9P	12.00	14.80	13.85	
10P	13.50	16.30	15.35	
11P	15.00	17.80	16.85	
12P	16.50	19.30	18.35	
13P	18.00	20.80	19.85	
14P	19.50	22.30	21.35	
15P	21.00	23.80	22.85	

F	A07	Add specification	ZSZ	2023.8.23	TOLERANCE X.X ±0.30 X.XX ±0.20 X.XXX ±0.10 Angle ±2°	TITLE: MX1.5 Have buckle SMT 90°Wafer	DRAWN: Shen 2021.10.15		KONNRA 东莞市康瑞电子有限公司 DongGuan Konnra Electronics Co.,Ltd. PART NO.: C1500RS1****M01***A		
	A6	Uniform identification and cavity number locations	Arvin	2022.05.30			CHECKED:				
	A5	Uniformly arrange the drawings	Ru yi	2020.3.10			APPROVED:				
	MARK	REVISION DESCRIPTION	SIGNATURE	DATE			UNIT:mm	SCALE: 1/1			

RoHS
COMPLIANT

◆ SPECIFICATIONS

- Current rating: 2.5A AC, DC
- Voltage rating: 250V AC, DC
- Temperature range: -40°C ~ +105°C
- Insulation resistance: 1000MΩ Min.
- Withstanding voltage: 500V AC/ minute.
- Contact resistance: 20mΩ Max.

Material:

Insulator: LCP UL 94V-0

Contact: Brass

Plating: Tin plated over Nickel

Suitable: KR1500 series Housing

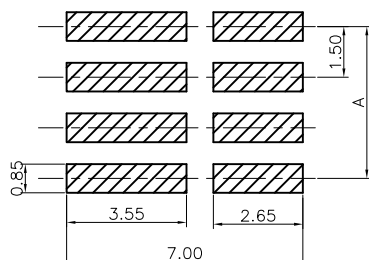
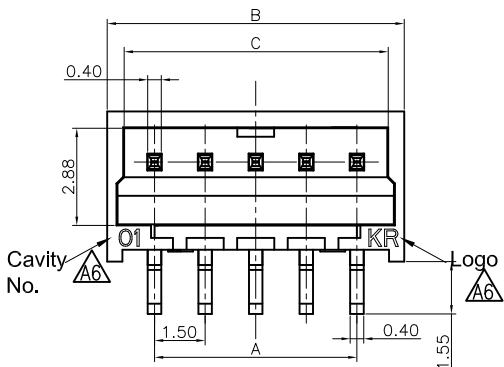
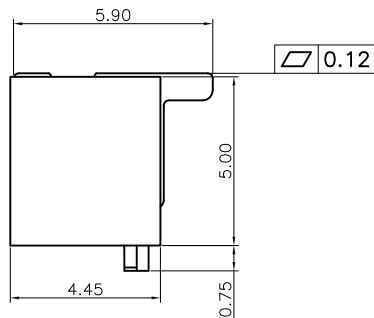
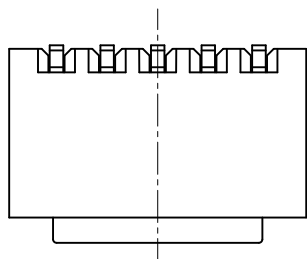
C1500VS ***13M0101RA

102: 2P

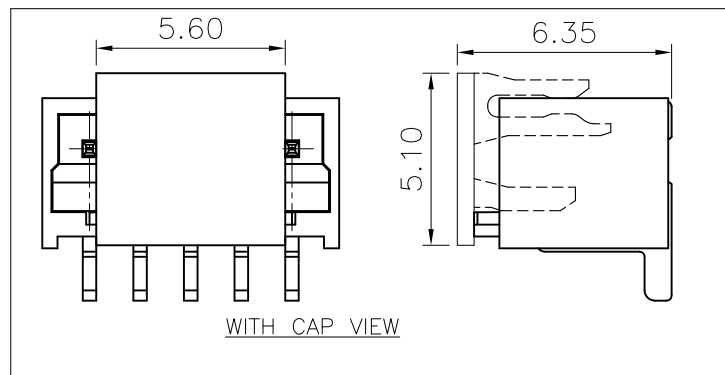
115: 15P

△07 13: LCP NATURAL
62: LCP GRAY

M01: MITTE TIN
G01: G/F



P.C.Board Layout



Dimensions

Pin	A	B	C
2P	1.50	4.30	3.35
3P	3.00	5.80	4.85
4P	4.50	7.30	6.35
5P	6.00	8.80	7.85
6P	7.50	10.30	9.35
7P	9.00	11.80	10.85
8P	10.50	13.30	12.35
9P	12.00	14.80	13.85
10P	13.50	16.30	15.35
11P	15.00	17.80	16.85
12P	16.50	19.30	18.35
13P	18.00	20.80	19.85
14P	19.50	22.30	21.35
15P	21.00	23.80	22.85



Add specification

ZSZ

2024.04.03

TOLERANCE

TITLE:

DRAWN: ru qi 2020.03.10

KONNRA 东莞市康瑞电子有限公司



Uniform identification and cavity number locations

Arvin

2022.05.30

X.X ±0.30

MX1.5 SMT 180°

CHECKED:

DongGuan Konnra Electronics Co.,Ltd.



Uniformly arrange the drawings

Shen

2022.03.15

X.XX ±0.20

Wafer

APPROVED:

PART NO.: C1500VS***13M0101RA

MARK

REVISION DESCRIPTION

SIGNATURE

DATE

X.XXX ±0.10

Angle ±2°

UNIT:mm

SCALE:N/A

SHEET:1/1

PROJECTION

REV.:A07

DRAWING NO.:1500WVS01-A-S

1

2

3

4

5

6

7

8

9

RoHS
COMPLIANT

◆ SPECIFICATIONS

- Current rating: 2.5A AC, DC
- Voltage rating: 250V AC, DC
- Temperature range: -40°C ~ +105°C
- Insulation resistance: 1000MΩ Min.
- Withstanding voltage: 500V AC/ minute.
- Contact resistance: 20mΩ Max.

Material:

Insulator: LCP UL 94V-0

Contact: Brass

Plating: Tin plated over Nickel

Suitable: KR1500 series Housing

C1500VS ***13M0102RA

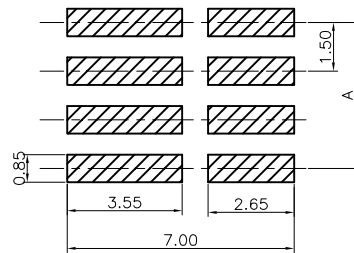
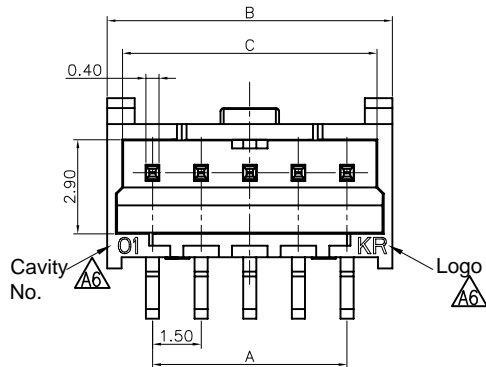
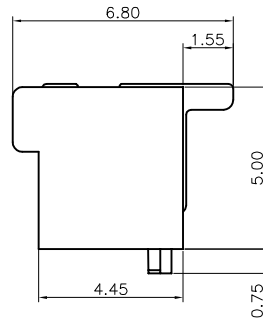
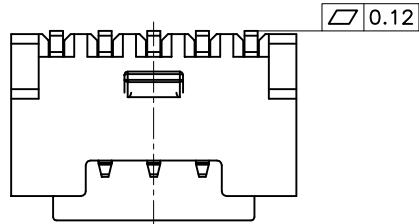
102: 2P

115: 15P

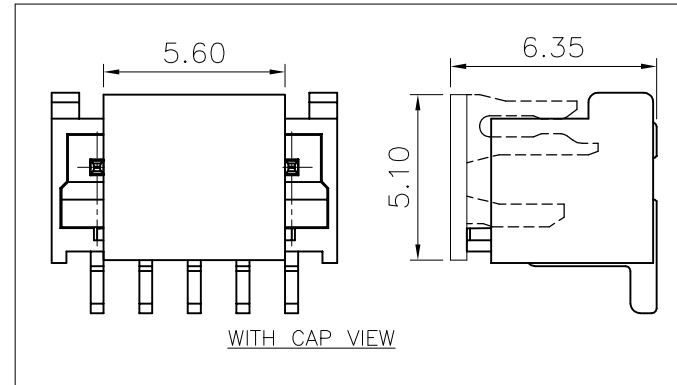
13: LCP NATURAL

M01: MITTE TIN

G01: G/F



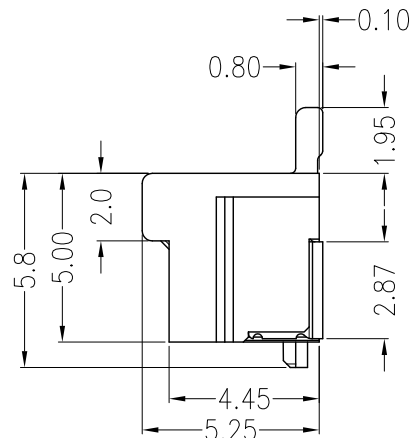
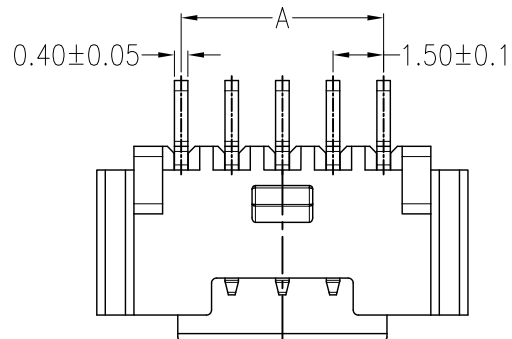
P.C.Board Layout



Dimensions			
Pin	A	B	C
2P	1.50	4.30	3.35
3P	3.00	5.80	4.85
4P	4.50	7.30	6.35
5P	6.00	8.80	7.85
6P	7.50	10.30	9.35
7P	9.00	11.80	10.85
8P	10.50	13.30	12.35
9P	12.00	14.80	13.85
10P	13.50	16.30	15.35
11P	15.00	17.80	16.85
12P	16.50	19.30	18.35
13P	18.00	20.80	19.85
14P	19.50	22.30	21.35
15P	21.00	23.80	22.85

F		Uniform identification and cavity number locations	Arvin	2022.05.30	TOLERANCE X.X ±0.30 X.XX ±0.20 X.XXX ±0.10 Angle ±2°	TITLE: MK1.5 SMT 180° Wafer Have Buckle		DRAWN: ru yi 2020.03.10 CHECKED:		KONNRA 东莞市康瑞电子有限公司 DongGuan Konnra Electronics Co., Ltd.	
		Uniformly arrange the drawings	Shen	2022.03.15		APPROVED:		PART NO. : C1500VS***13M0102RA			
MARK	REVISION DESCRIPTION	SIGNATURE	DATE		UNIT: mm	SCALE: N/A	SHEET: 1/1	PROJECTION	REV. : A6	DRAWING NO. : 1500WS02-A-S	
1	2	3	4	5	6	7	8	9			

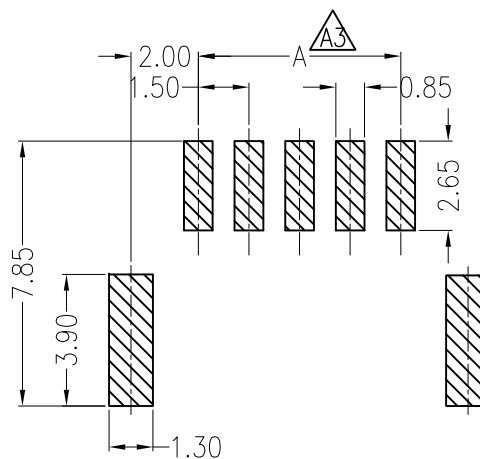
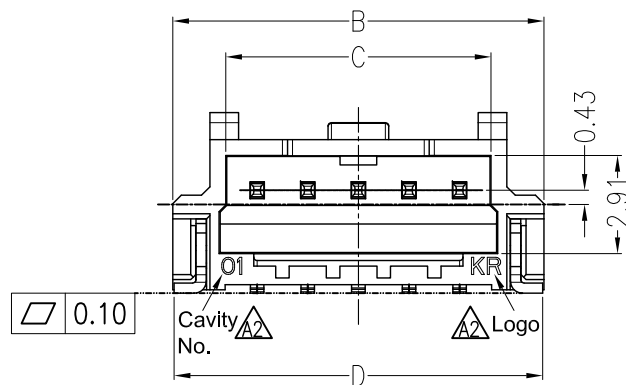
RoHS
COMPLIANT



- ◆SPECIFICATIONS
- Current rating: 2.5A AC, DC
 - Voltage rating: 250V AC,DC
 - Temperature range: -25°C ~ +85°C
 - Insulation resistance:1000MΩ Min.
 - Withstanding voltage: 500V AC/ minute.
 - Contact resistance: 20mΩ Max.

Material:
Insulator: LCP UL 94V-0
Contact: Brass
Plating: Tin plated over Nickel
Suitable: KR1500 series Housing

C1500RS1**13M0112RA
02: 2P
16: 16P
13: LCP Nature
M01: Tin Plating
R: Reel Package
With Ground and clip



Recommended P.C.B. Layout
Total tolerance:±0.05mm

PIN NO.	DIMENSIONS			
	A	B	C	D
02P	1.50	6.50	3.35	6.42
03P	3.00	8.00	4.85	7.92
04P	4.50	9.50	6.35	9.42
05P	6.00	11.00	7.85	10.92
06P	7.50	12.50	9.35	12.42
07P	9.00	14.00	10.85	13.92
08P	10.50	15.50	12.35	15.42
09P	12.00	17.00	13.85	16.92
10P	13.50	18.50	15.35	18.42
11P	15.00	20.00	16.85	19.92
12P	16.50	21.50	18.35	21.42
13P	18.00	23.00	19.85	22.92
14P	19.50	24.50	21.35	24.42
15P	21.00	26.00	22.35	25.92

F		Corrected the P.C.B Dimension	Arvin	2023.01.30	TOLERANCE X.X ±0.30 X.XX ±0.25 X.XXX ±0.10 Angle ±3°	TITLE: MX1.5_WF_SMT 90° _B TYPE	DRAWN: ZZN 2021.08.17		KONNRA 东莞市康瑞电子有限公司 DongGuan Konnra Electronics Co.,Ltd.	
		Uniform identification and cavity number locations	Arvin	2022.05.30			CHECKED:		PART NO.:See Table	
		The First Issue	ZZN	2021.08.17			APPROVED:		REV.:A3	
MARK	REVISION DESCRIPTION	SIGNATURE	DATE	UNIT:mm	SCALE:1:1	SHEET:1/1	PROJECTION	REV.:A3	DRAWING NO.:1500WHS12-A-S	

RoHS
COMPLIANT

◆ SPECIFICATIONS

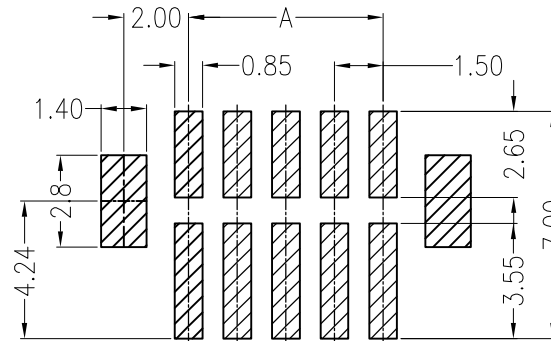
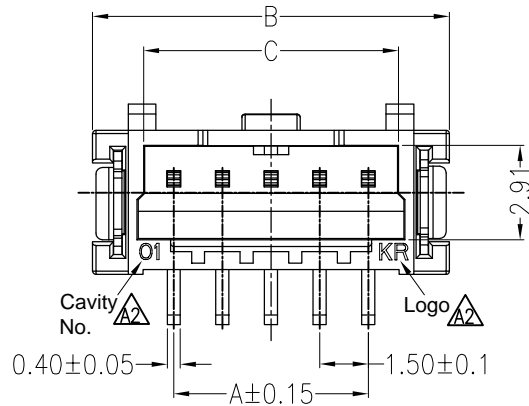
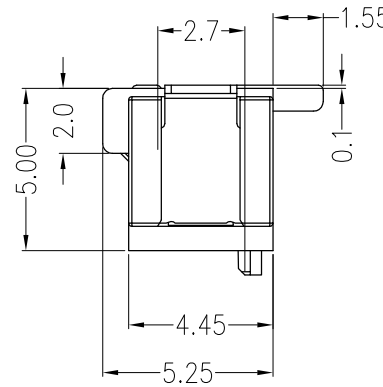
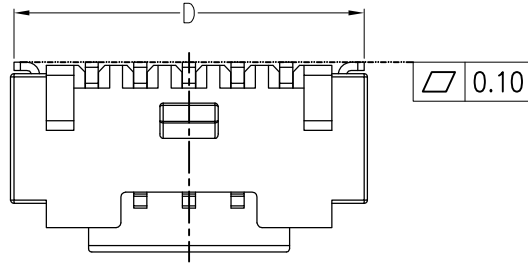
- Current rating: 2.5A AC, DC
- Voltage rating: 250V AC, DC
- Temperature range: -25°C ~ +85°C
- Insulation resistance: 1000MΩ Min.
- Withstanding voltage: 500V AC/ minute.
- Contact resistance: 20mΩ Max.

Material:

Insulator: Nylon 6T UL 94V-0
Contact: Brass
Plating: Tin plated over Nickel
Suitable: KR1500 series Housing

C1500VS1**13M0112RA

02: 2P
16: 16P
13: LCP Nature
M01: Tin Plating
R: Reel Package
With Ground and clip



Recommended P.C.B. Layout
Total tolerance: ±0.05mm

PIN NO.	DIMENSIONS			
	A	B	C	D
02P	1.50	6.50	3.35	6.30
03P	3.00	8.00	4.85	7.80
04P	4.50	9.50	6.35	9.30
05P	6.00	11.00	7.85	10.80
06P	7.50	12.50	9.35	12.30
07P	9.00	14.00	10.85	13.80
08P	10.50	15.50	12.35	15.30
09P	12.00	17.00	13.85	16.80
10P	13.50	18.50	15.35	18.30
11P	15.00	20.00	16.85	19.80
12P	16.50	21.50	18.35	21.30
13P	18.00	23.00	19.85	22.80
14P	19.50	24.50	21.35	24.30
15P	21.00	26.00	22.35	25.80

F		Uniform identification and cavity number locations	Arvin	2022.05.30	TOLERANCE X.X ±0.30 X.XX ±0.25 X.XXX ±0.10 Angle ±3°	TITLE: MX 1.5_WF SMT 180° _B TYPE	DRAWN: ZZN 2021.07.27		KONNRA 东莞市康瑞电子有限公司 DongGuan Konnra Electronics Co., Ltd.	
		The First Issue	ZZN	2021.07.27			CHECKED:		APPROVED:	
MARK	REVISION DESCRIPTION	SIGNATURE	DATE	UNIT: mm	SCALE: 1:1	SHEET: 1/1	PROJECTION	REV.: A2	DRAWING NO.: 1500WS12-A-S	
1	2	3	4	5	6	7	8	9		