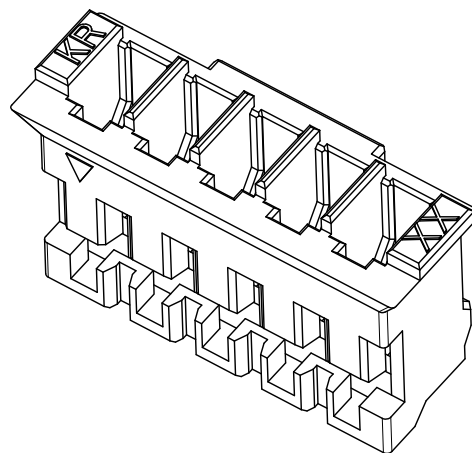
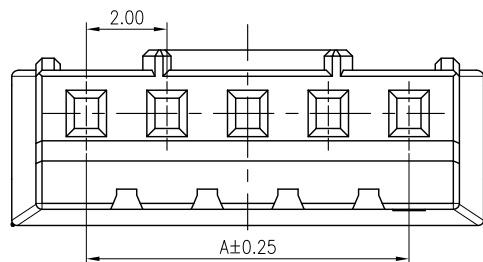


**RoHS**  
COMPLIANT



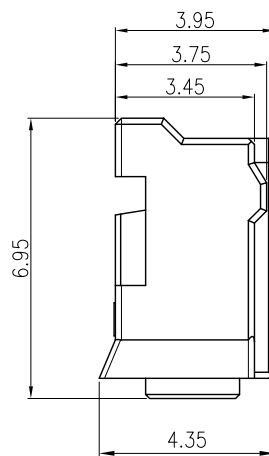
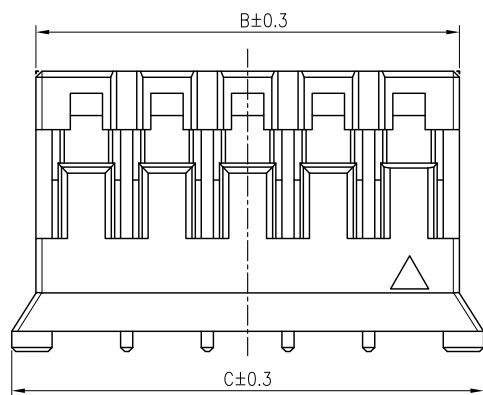
◆ SPECIFICATIONS

- Current rating: 2A AC, DC
- Voltage rating: 100V AC, DC
- Temperature range: -40°C ~ +105°C
- Insulation resistance: 1000MΩ Min.
- Withstanding voltage: 800V AC/ minute.
- Contact resistance: 20mΩ Max.

Material: Nylon 66 UL 94V-0

Circuits: 2~16

Suitable KR2001 Series Terminal  
Mates With KR2001 Series Wafer



Circuits	Dimensions		
	A	B	C
2	2.00	4.60	5.80
3	4.00	6.60	7.80
4	6.00	8.60	9.80
5	8.00	10.60	11.80
6	10.00	12.60	13.80
7	12.00	14.60	15.80
8	14.00	16.60	17.80
9	16.00	18.60	19.80
10	18.00	20.60	21.80
11	20.00	22.60	23.80
12	22.00	24.60	25.80
13	24.00	26.60	27.80
14	26.00	28.60	29.80
15	28.00	30.60	31.80
16	30.00	32.60	33.80

F		依实物修正图面	ZSZ	2022.05.26	TOLERANCE X.X ±0.30 X.XX ±0.20 X.XXX ±0.10 Angle ±2°	TITLE: JST PH 2.0_HSG	DRAWN: <i>ZZ</i> 2021.06.28	KONNRA 东莞市康瑞电子有限公司 DongGuan Konnra Electronics Co.,Ltd.		
		新版发行	ZZN	2021.06.28			CHECKED:			
	MARK	REVISION DESCRIPTION	SIGNATURE	DATE			APPROVED:		PART NO. H200101**0101F	
	1	2	3	4	UNIT:mm	SCALE:N/A	SHEET:1/1	PROJECTION	REV.:A02	DRAWING NO.:2001H01-F-S