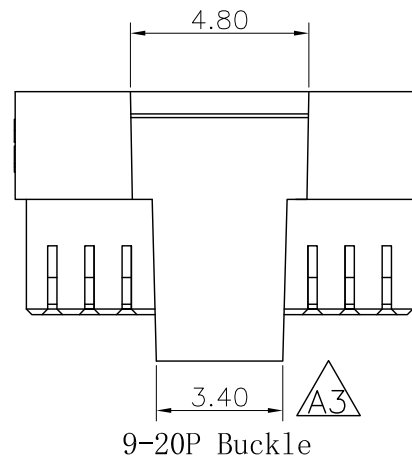
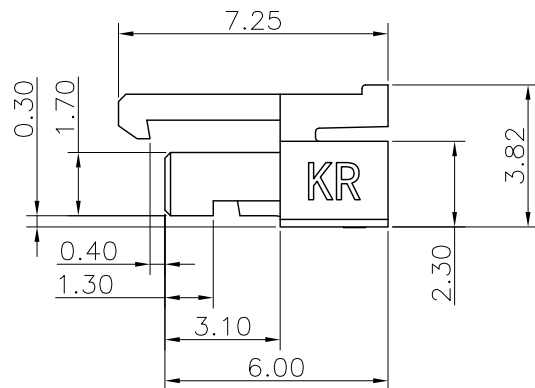
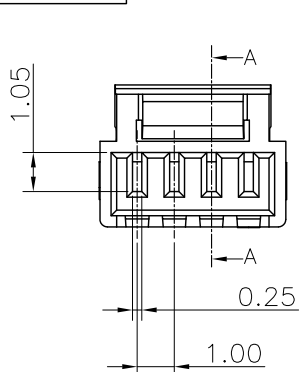


**RoHS**  
COMPLIANT



◆ SPECIFICATIONS

- Current rating: 1A AC, DC
- Voltage rating: 100V AC, DC
- Temperature range: -40°C ~ +105°C
- Insulation resistance: 100MΩ Min.
- Withstanding voltage: 500V AC/ minute.
- Contact resistance: 20mΩ Max.

Material:

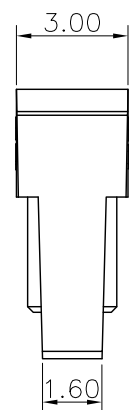
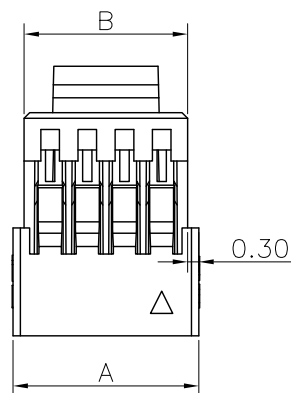
Insulator: PA66 UL 94V-0

Circuits: 2~20

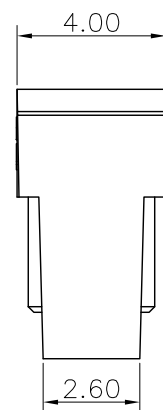
Suitable: KR1000 series Terminal

Ordering code: H100501\*\*0101A

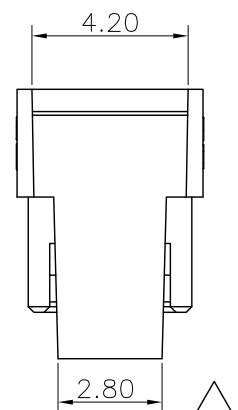
102=2  
103=3



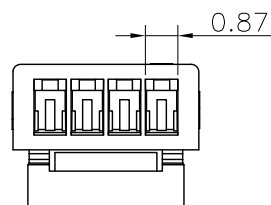
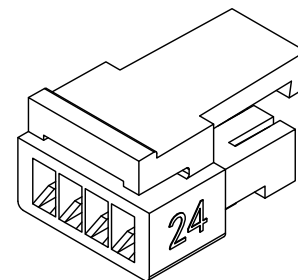
2P Buckle



3P Buckle



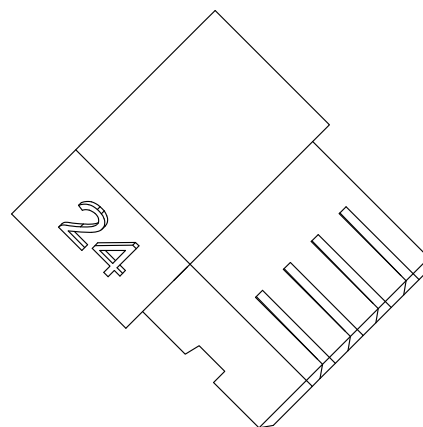
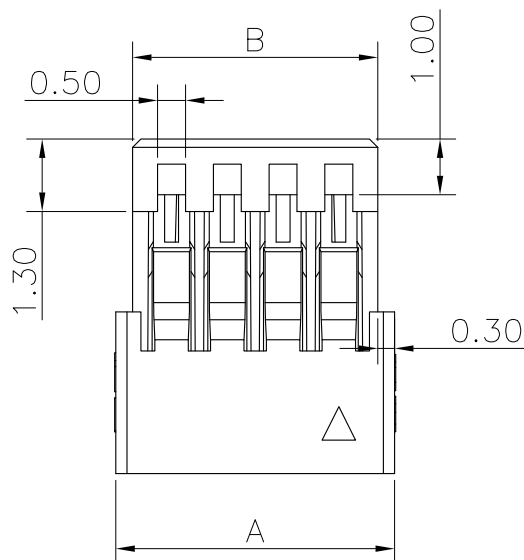
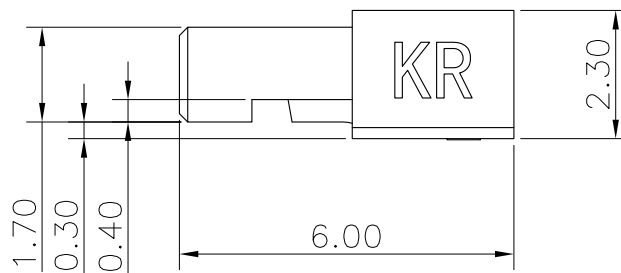
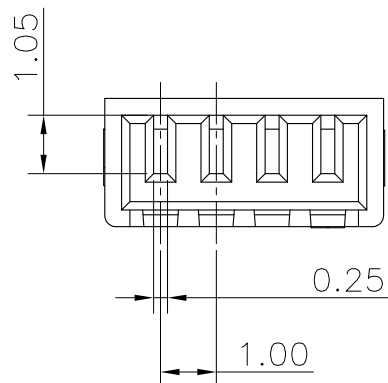
4-8P Buckle



Dimensions			Dimensions		
Circuits	A	B	Circuits	A	B
17	18.00	17.40	8	9.00	8.40
16	17.00	16.40	7	8.00	7.40
15	16.00	15.40	6	7.00	6.40
14	15.00	14.40	5	6.00	5.40
13	14.00	13.40	4	5.00	4.40
12	13.00	12.40	3	4.00	3.40
11	12.00	11.40	2	3.00	2.40
10	11.00	10.40			
9	10.00	9.40			

F		Uniformly arrange the drawings	Shen	2021.08.25	TOLERANCE X.X ±0.30 X.XX ±0.20 X.XXX ±0.10 Angle ±2°	TITLE: SHU1.0 Have buckle Housing	DRAWN: <i>7.2X 2021.08.25</i>		KONNRA 东莞市康瑞电子有限公司 DongGuan Konnra Electronics Co.,Ltd.		
		Change the buckle size and add 9-20P	Arvin	2020.06.22			CHECKED: <i>Shen 2021.08.25</i>				
	MARK	REVISION DESCRIPTION	SIGNATURE	DATE			UNIT:mm	SCALE:1/1			
	1	2	3	4	5	6	7	8	9		

**RoHS**  
COMPLIANT



◆ SPECIFICATIONS

- Current rating: 1A AC, DC
- Voltage rating: 50V AC, DC
- Temperature range: -40°C ~ +105°C
- Insulation resistance: 100MΩ Min.
- Withstanding voltage: 500V AC/ minute.
- Contact resistance: 20mΩ Max.

Material:

Insulator: PA66 UL 94V-0

Circuits: 2~20

Suitable: KR1000 series Terminal

Ordering code:

H100501\*\*0102A

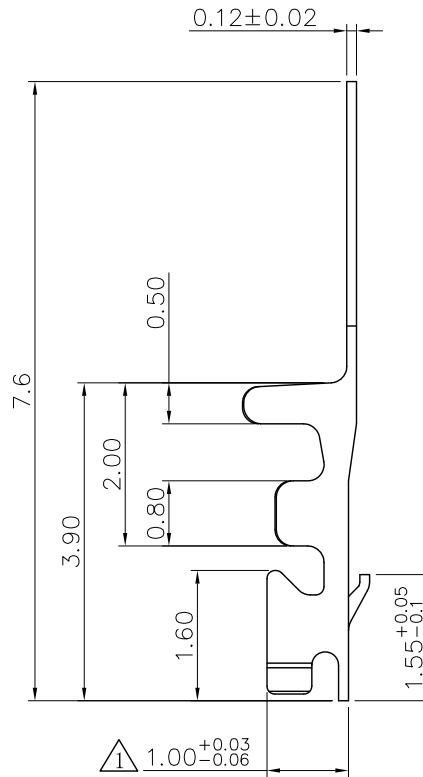
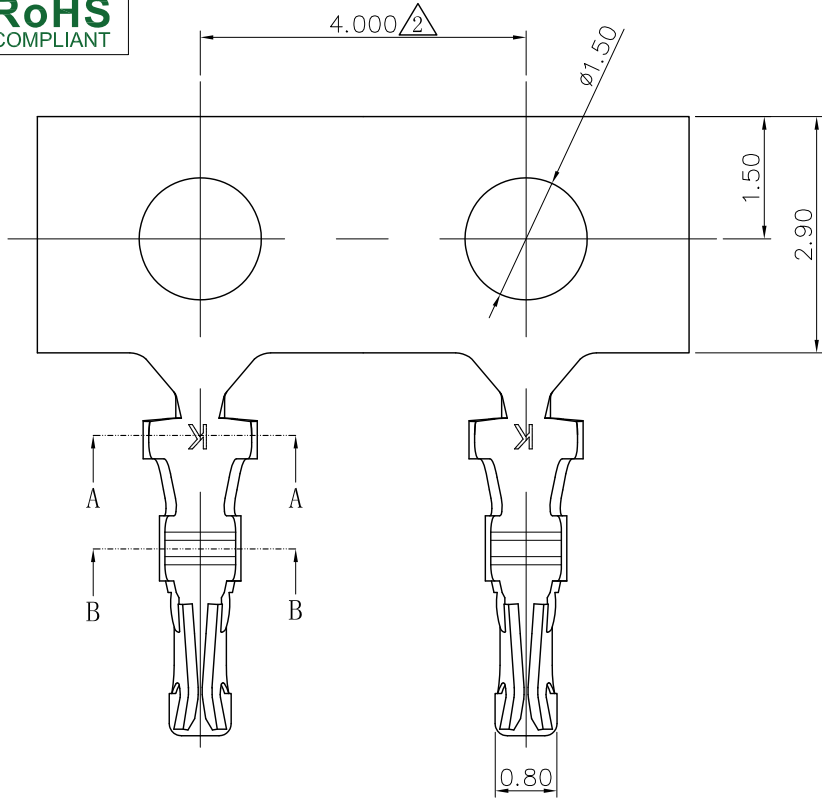
102=2P  
103=3P

△A05		
16P	17.00	16.40
15P	16.00	15.40
14P	15.00	14.40
13P	14.00	13.40
12P	13.00	12.40
11P	12.00	11.40
△A04		
10P	11.00	10.40
9P	10.00	9.40
8P	9.00	8.40
7P	8.00	7.40
6P	7.00	6.40
5P	6.00	5.40
4P	5.00	4.40
3P	4.00	3.40
2P	3.00	2.40
Circuits	A	B

Dimensions

MARK	REVISION DESCRIPTION	SIGNATURE	DATE	TOLERANCE	TITLE:	UNIT:mm	SCALE:1/1	SHEET:1/1	PROJECTION	REV.:A05	DRAWING NO.:1005H102-A-S
△A05	Add 11~16pin specification	ZSZ	2024.03.20	TOLERANCE X.X ±0.30 X.XX ±0.20 X.XXX ±0.10 Angle ±2°	SHU1.0 No buckle Housing					DRAWN: 72X 2021.08.25 CHECKED: APPROVED:	<b>KONNRA</b> 东莞市康瑞电子有限公司 DongGuan Konnra Electronics Co.,Ltd. PART NO.:H100501**0102A
△A04	Add 10pin specification	ZSZ	2021.11.04								
△A03	Uniformly arrange the drawings	Shen	2021.08.25								

**RoHS**  
COMPLIANT



◆ SPECIFICATIONS

- Current rating: 1A AC, DC
- Voltage rating: 100V AC, DC
- Temperature range: -40°C ~ +105°C
- Insulation resistance: 100MΩ Min.
- Withstanding voltage: 500V AC/ minute.
- Contact resistance: 20mΩ Max.

Material: Phosphor Bronze

Finish: Tin Plated or gold plated over Nickel

Applicable wires: AWG #28~#32

Insulation O.D 0.4 to 0.8mm

Suitable: KR1000 series Housing

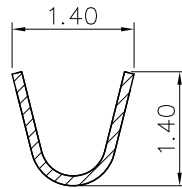
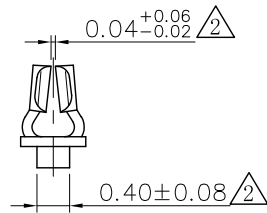
Qty/reel: 20,000PCS

Ordering Code:

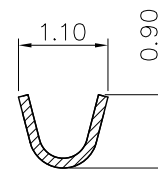
T10050P T01 01A

Plating

T01: Tin plated



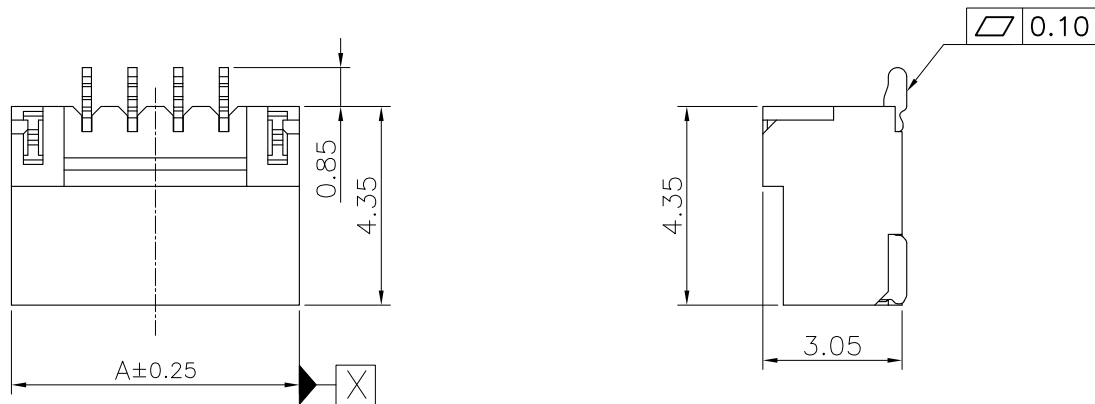
SECTION A-A



SECTION B-B

F		Uniformly arrange the drawings	Shen	2021.08.25	TOLERANCE X.X ±0.3 X.XX ±0.2 X.XXX ±0.1 Angle ±2°	TITLE: SHU1.0 Terminal	DRAWN: TLX 2021.08.25		KONNRA 东莞市康瑞电子有限公司		
		Change the part number and frame format	TLX	2020.04.21			CHECKED: Shen 2021.08.25		DongGuan Konnra Electronics Co.,Ltd.		
	MARK	REVISION DESCRIPTION	SIGNATURE	DATE			APPROVED:		PART NO.: T10050PT0101A		
	1	2	3	4			UNIT:mm	SCALE: 1/1	SHEET: 1/1	PROJECTION	REV.: A4

**RoHS**  
COMPLIANT



◆ SPECIFICATIONS

Current rating: 1A AC, DC  
Voltage rating: 100V AC, DC  
Temperature range: -40°C ~ +105°C  
Insulation resistance: 100MΩ Min.  
Withstanding voltage: 500V AC/ minute.  
Contact resistance: 20m Ω Max.

Material:

Insulator: PA9T UL 94V-0  
Contact: Copper alloy  
Fitting Nail: Copper alloy

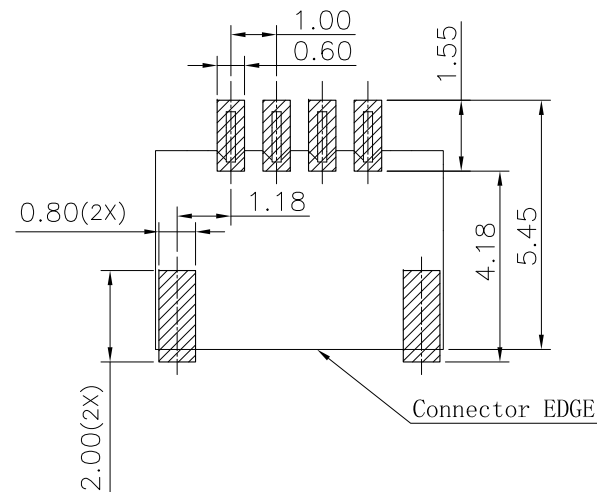
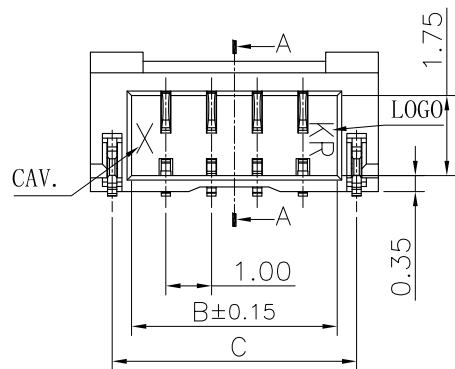
Plating: Matte Tin plated over Nickel

Circuits: 2~20

Mates With KR1005 Series Single Row Housing

Ordering code: C1005RS1\*\*11M0102\*A

102=2P      R: Reel  
103=3P      P: Bag



Recommended P.C.B. Layout  
Total tolerance: ±0.05mm

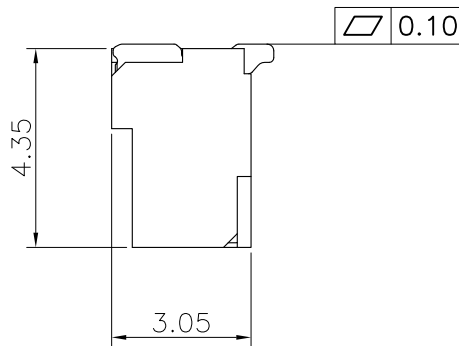
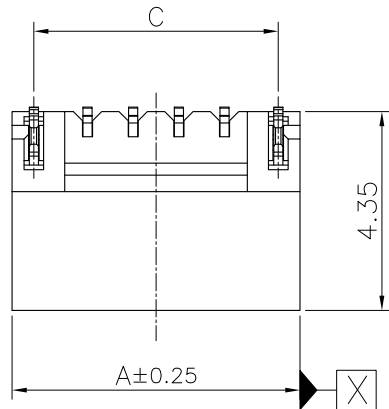
11P	13.30	11.50	12.35				
10P	12.30	10.50	11.35	20P	22.30	20.50	21.35
9P	11.30	9.50	10.35	19P	21.30	19.50	20.35
8P	10.30	8.50	9.35	18P	20.30	18.50	19.35
7P	9.30	7.50	8.35	17P	19.30	17.50	18.35
6P	8.30	6.50	7.35	16P	18.30	16.50	17.35
5P	7.30	5.50	6.35	15P	17.30	15.50	16.35
4P	6.30	4.50	5.35	14P	16.30	14.50	15.35
3P	5.30	3.50	4.35	13P	15.30	13.50	14.35
2P	4.30	2.50	3.35	12P	14.30	12.50	13.35
PIN	A	B	C	PIN	A	B	C

Dimensions

Dimensions

F	△2	New Drawings	Shen	2021.12.30	TOLERANCE	TITLE: SHU1.0 Have Buckle SMT 90° WF B TYPE	DRAWN: Shen 2021.12.30		KONNRA 东莞市康瑞电子有限公司 DongGuan Konnra Electronics Co.,Ltd.	
					X.X ±0.20		X.XX ±0.10	CHECKED:		
△1					X.XXX ±0.05			APPROVED:	PART NO.: C1005RS1**11M0102*A	
MARK	REVISION DESCRIPTION	SIGNATURE	DATE	Angle ±2°	UNIT:mm	SCALE:1/1	SHEET:1/1	PROJECTION	REV.:A1	DRAWING NO.:1005WFHS02-A-S

**RoHS**  
COMPLIANT



◆ SPECIFICATIONS

Current rating: 1A AC, DC  
Voltage rating: 100V AC,DC  
Temperature range: -40°C ~ +105°C  
Insulation resistance: 100MΩ Min.  
Withstanding voltage: 500V AC/ minute.  
Contact resistance: 20m Ω Max.

Material:

Insulator: PA9T UL 94V-0  
Contact: Copper alloy  
Fitting Nail: Copper alloy

Plating: Matte Tin plated over Nickel

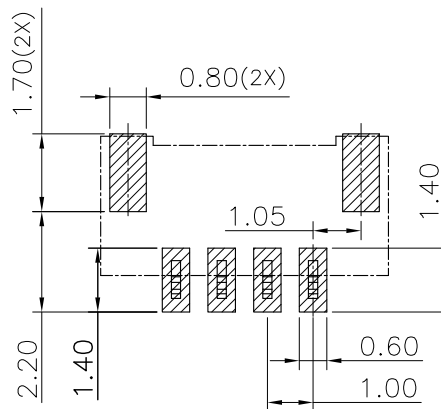
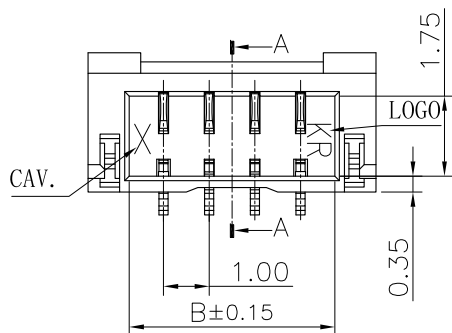
Circuits: 2~20

Mates With KR1005 Series Single Row Housing

Ordering code: C1005VS1\*\*11M0102\*A

102=2P  
103=3P

R:Reel  
P:Bag



Recommended P.C.B. Layout  
Total tolerance: ±0.05mm

11P	13.30	11.50	12.35				
10P	12.30	10.50	11.35	20P	22.30	20.50	21.35
9P	11.30	9.50	10.35	19P	21.30	19.50	20.35
8P	10.30	8.50	9.35	18P	20.30	18.50	19.35
7P	9.30	7.50	8.35	17P	19.30	17.50	18.35
6P	8.30	6.50	7.35	16P	18.30	16.50	17.35
5P	7.30	5.50	6.35	15P	17.30	15.50	16.35
4P	6.30	4.50	5.35	14P	16.30	14.50	15.35
3P	5.30	3.50	4.35	13P	15.30	13.50	14.35
2P	4.30	2.50	3.35	12P	14.30	12.50	13.35
PIN	A	B	C	PIN	A	B	C

Dimensions

Dimensions

F	A2	New Drawings	Shen	2021.12.30	TOLERANCE	TITLE:	DRAWN: Shen 2021.12.30	KONNRA 东莞市康瑞电子有限公司 DongGuan Konnra Electronics Co.,Ltd.			
					X.X ±0.30	SHU1.0 Have Buckle	CHECKED:				
	A1				X.XX ±0.20	SMT 180° WF B TYPE		PART NO.: C1005VS1**11M0102*A			
					X.XXX ±0.15		APPROVED:				
MARK	REVISION DESCRIPTION	SIGNATURE	DATE		Angle ±2°	UNIT:mm	SCALE:1/1	SHEET:1/1	PROJECTION	REV.:A1	DRAWING NO.:1005WFVS02-A-S

1 2 3 4 5 6 7 8 9