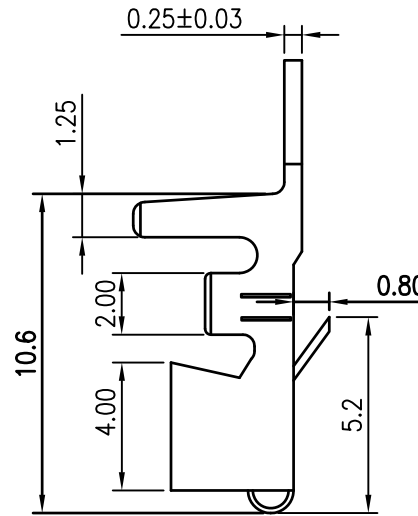
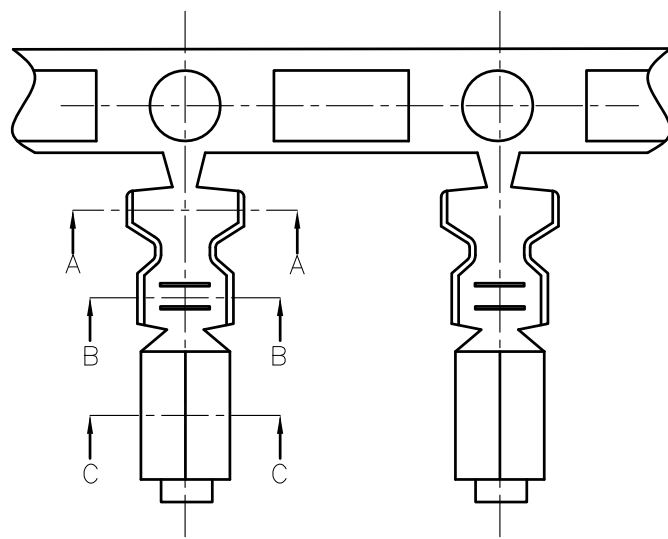


RoHS
COMPLIANT



SPECIFICATIONS

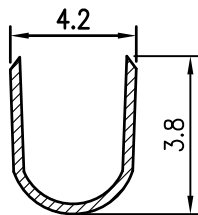
1. Current rating: 7A AC, DC
2. Voltage rating: 250V AC, DC
3. Temperature range: -40°C ~ +105°C
4. Insulation resistance: 1000MΩ/ min.
5. Withstanding voltage: 1500V AC/ minute.
6. Contact resistance: 20mΩ/ max.

Material: Phosphor Bronze/Tin plated over nickel
Applicable wires: AWG #18~#22

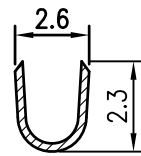
Insulation O.D 2.8mm Max.

Suitable KR3961 series terminal

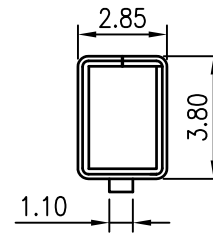
Qty/reel: 3,000PCS



SECTION A-A



SECTION B-B



SECTION C-C



MARK

Change the part number and frame format

Arvin

2020.05.08

SIGNATURE

DATE

TOLERANCE
X.X ±0.30
X.XX ±0.20
X.XXX ±0.10
Angle ±2°

TITLE:
VH3.96 Terminal

UNIT:mm

SCALE:N/A

DRAWN: Arvin 2020.05.08

CHECKED:

APPROVED:

SHEET: 1/1

PROJECTION

KONNRA 东莞市康瑞电子有限公司

DongGuan Konnra Electronics CO.,LTD

PART NO.: T39610PT0101A

VER.: A2

DRAWING NO.: 3961T101-A-S