

RoHS
COMPLIANT

◆ SPECIFICATIONS

Current rating: Power Pin 25A (AC, DC)
Singal Pin 2A (AC, DC)

Voltage rating: 48V AC,DC

Temperature range: -25°C ~ +80°C

Insulation resistance: 100MΩ Min.

Withstanding voltage: 700V AC/ minute.

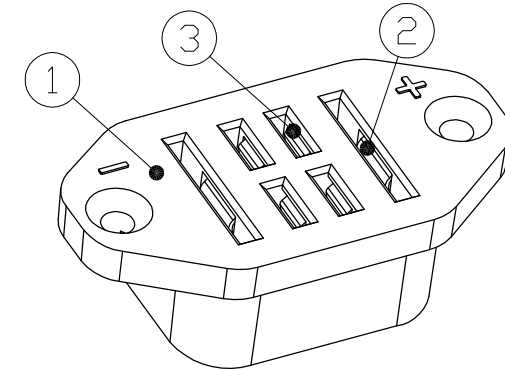
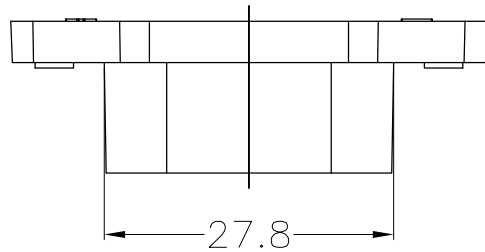
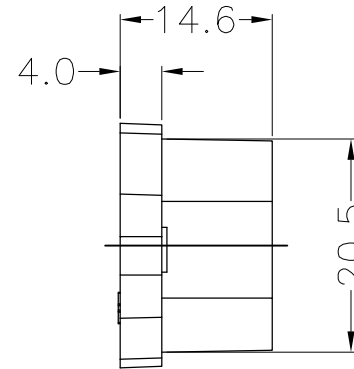
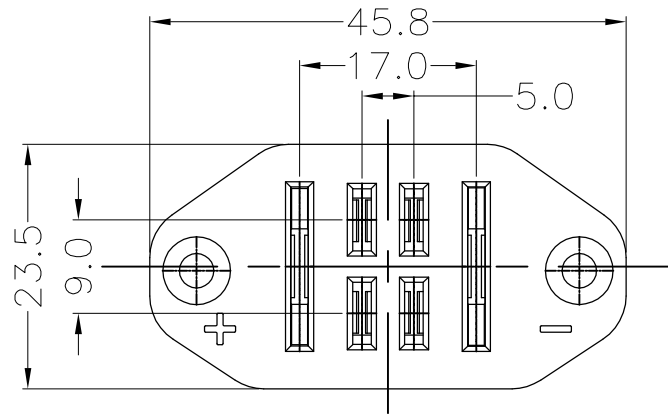
Contact resistance: 10m Ω Max.

Material:

Insulator: PBT UL 94V-0

Contact: Brass

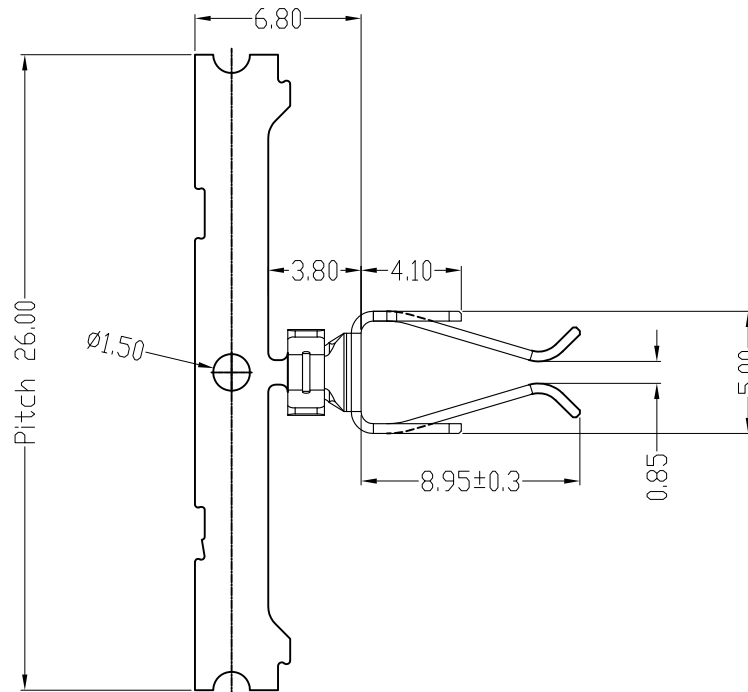
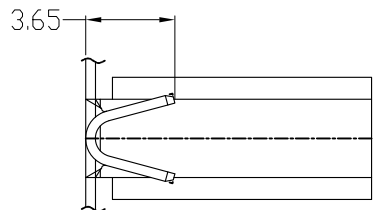
Plating: Plated over Nickel



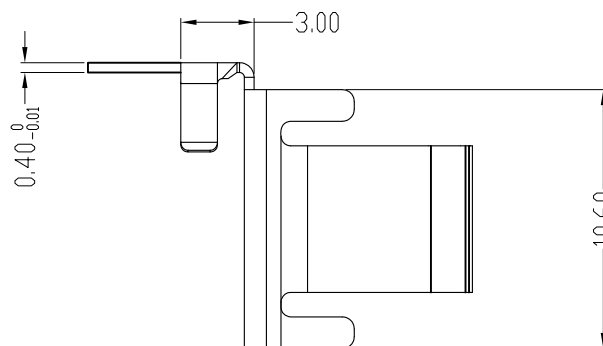
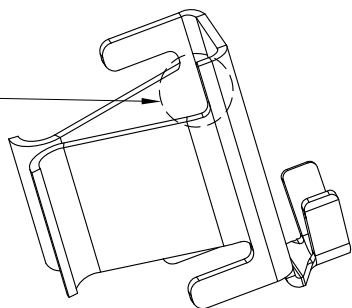
3	Singal Pin	4	C5191 T=0.3
2	Power Pin	2	C7025 T=0.4
1	Base	1	PBT
ITEM	PART NAME	Quantity	Materials

MARK	REVISION DESCRIPTION	SIGNATURE	DATE	TOLERANCE	TITLE:	DRAWN:	CHECKED:	APPROVED:	REV.:	DRAWING NO.:
1	2	3	4	5	6	7	8	9		
				X.X ±0.20	EBK PLUG	ZZN 2021.08.08				KONNRA® 东莞市康瑞电子有限公司
				X.XX ±0.10						DongGuan Konnra Electronics Co.,Ltd.
				X.XXX ±0.05						PART NO.: QK001001
				Angle ±2°	UNIT:mm	SCALE:1/1	SHEET:1/1	PROJECTION		DRAWING NO.: QK001001-C-S

RoHS
COMPLIANT



△2
切掉端子此处针脚



- 备注:
- 1.材质: C7025-EH 0.40*20.0mm
 - 2.电镀: 整体镀可焊镍80~120U", 中性盐雾48H。
须符合百格测试和附着力测试。
 - 3.不可有压伤、裂痕、变形
 - 4.环保要求: 符合ROHS2.0环保要求

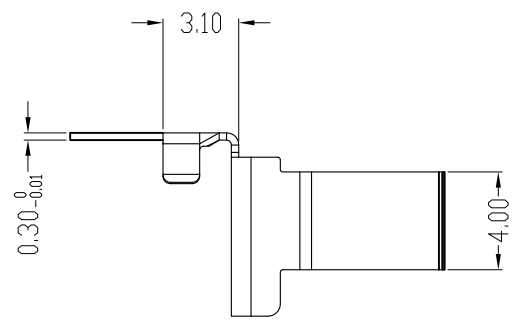
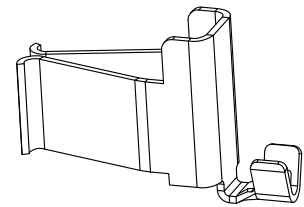
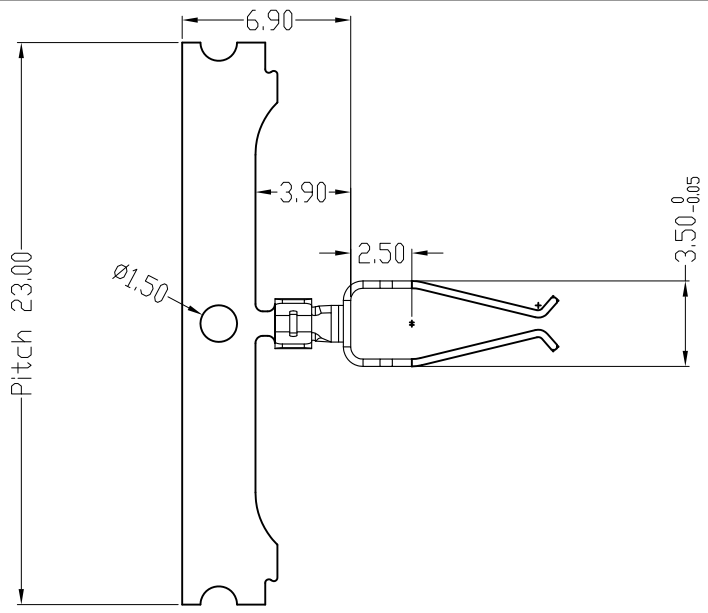
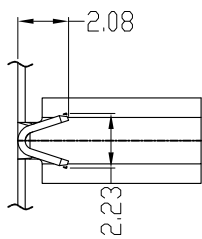
模数	1出1
模具编号	KR093C-A

素材料号	QK001003	C7025-EH
电镀料号	QK001002	整体镀镍80~120U"

F	△3				TOLERANCE	TITLE:	DRAWN: 33M 2022.08.08	KONNRA 东莞市康瑞电子有限公司 DongGuan Konnra Electronics Co.,Ltd.			
	△2	ECN20230402 端子4脚改为3脚	ZSZ	2023.04.13	X.X ±0.30	EBK 电源端子	CHECKED:				
	△1	新模出图	ZZN	2022.08.08	X.XX ±0.20		APPROVED:	PART NO.: QK001002			
	MARK	REVISION DESCRIPTION	SIGNATURE	DATE	X.XXX ±0.10	Angle ±2°	UNIT:mm	SCALE:1:1	SHEET:1/1	P10JECTION	REV.:A2

1 2 3 4 5 6 7 8 9

RoHS
COMPLIANT



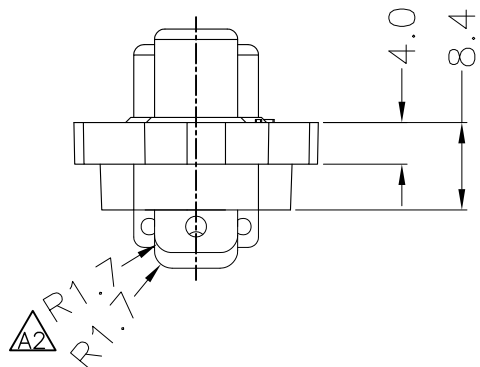
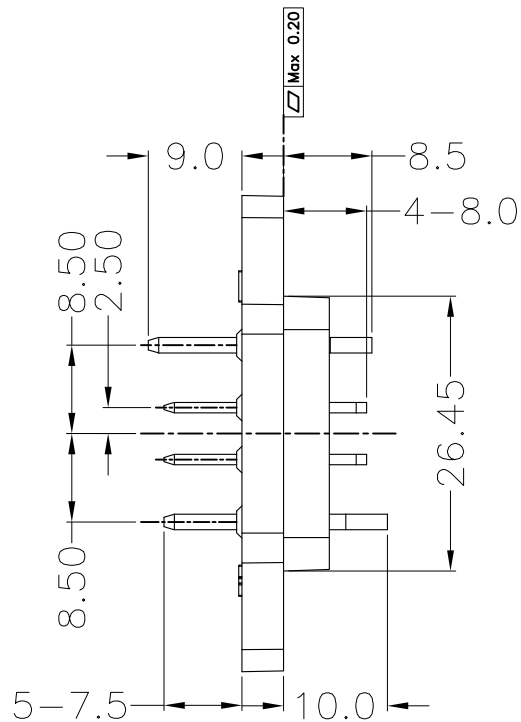
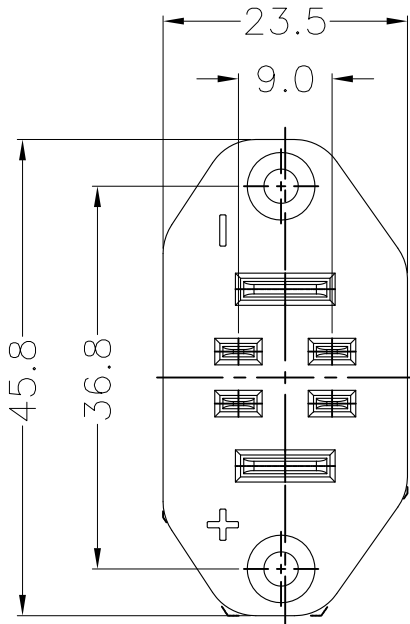
备注:
 1.材质: C5191-EH 0.30*16.0mm
 2.电镀: 整体镀可焊镍80~120U", 中性盐雾48H。
 须符合百格测试和附着力测试。
 2.不可有压伤、裂痕、变形
 3.环保要求: 符合ROHS2.0环保要求

素材料号	QK001005	C5191-EH
电镀料号	QK001004	整体镀镍80~120U"

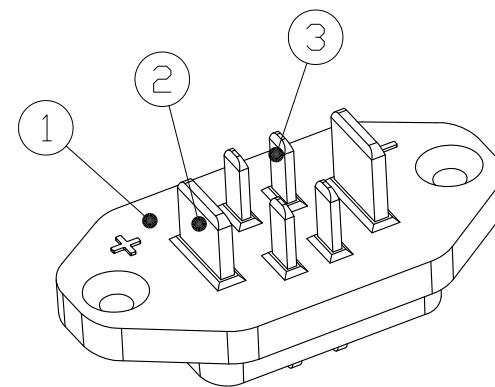
F					TOLERANCE	TITLE:	DRAWN: <i>ZZN 2022.08.08</i>	东莞市康瑞电子有限公司 DongGuan Konnra Electronics Co.,Ltd.			
					X.X ±0.30	EBK 信号端子	CHECKED:				
		新模出图	ZZN	2022.08.08	X.XX ±0.20		APPROVED:				
MARK	REVISION DESCRIPTION	SIGNATURE	DATE	X.XXX ±0.10	Angle ±2°	UNIT:mm	SCALE:1:1	SHEET:1/1	P10JECTION	REV.:A1	DRAWING NO.:QK001004-S

1 2 3 4 5 6 7 8 9

RoHS
COMPLIANT



◆SPECIFICATIONS
 Current rating: Power Pin 25A (AC, DC)
 Singal Pin 2A (AC, DC)
 Voltage rating: 48V AC,DC
 Temperature range: -25°C ~ +80°C
 Insulation resistance: 100MΩ Min.
 Withstanding voltage: 700V AC/ minute.
 Contact resistance: 10mΩ Max.
 Material:
 Insulator: PBT UL 94V-0
 Contact: Brass
 Plating: Plated over Nickel



3	Singal Pin	4	C2680 T=1.0
2	Power Pin	2	C2680 T=1.5
1	Base	1	PBT
ITEM	PART NAME	Quantity	Materials

F		change the structure	ZSZ	2023.04.13	TOLERANCE X.X ±0.20 X.XX ±0.10 X.XXX ±0.05 Angle ±2°	TITLE: EBK PLUG	DRAWN: <i>zsn 2021.08.08</i>		KONNRA 东莞市康瑞电子有限公司 DongGuan Konnra Electronics Co.,Ltd.		
		New Drawings	ZZN	2022.08.08			CHECKED:	APPROVED:			
MARK	REVISION DESCRIPTION	SIGNATURE	DATE	UNIT:mm	SCALE: 1/1	SHEET: 1/1	PROJECTION	REV.: A2	DRAWING NO.: QK001006-C-S		
1	2	3	4	5	6	7	8	9			