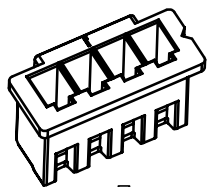
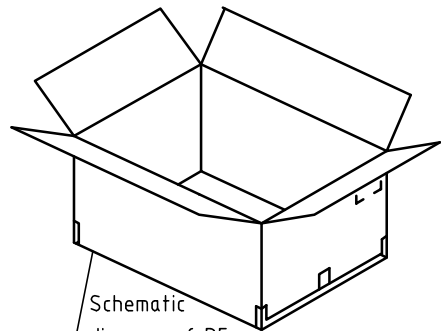


**RoHS**  
COMPLIANT

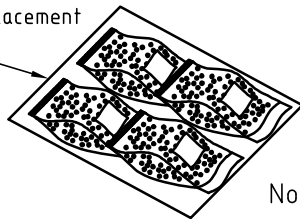
Step 1: Place Housing into PE bag and seal PE bag. Label.  
将 Housing放入PE袋内, 并将PE袋封好, 贴上标签。



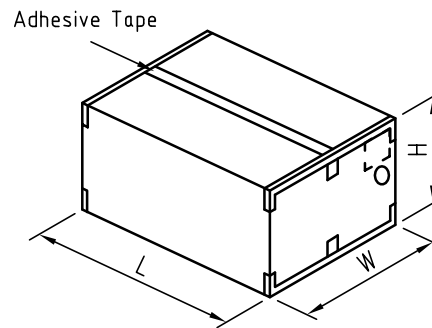
Step 2: Put PE bag packed products in cartons,  
Packing detail see the table right  
将装好产品的PE袋放入纸箱内, 详细包装见右表



Schematic diagram of PE bag placement



Step 3: Put PE bag packed products in cartons,  
Packing detail see the table right  
将装好产品的PE袋放入纸箱内, 详细包装见右表



Circuits	PCS/Bag
2	1000
3	1000
4	1000
5	1000
6	1000
7	1000
8	1000
9	1000
10	1000
11	1000
12	1000
13	1000
14	1000
15	1000
16	1000

Note注解:

1. There shall be no dirt such as deformation phenomenon, Mantissa box fillers must be used  
每箱不可有脏污, 变形现象, 尾数箱必须用填充物
2. Confirm whether the inner and outer labels are missing and the content must be consistent with the actual product  
确认内外标签有无漏失, 内容与实物必须一致
3. Packing quantity per carton depends on order and delivery quantity  
每箱包装数量依订单及交货数量而定

	SPEC.	Remark
Carton 1	L460mm×W460mm×H510mm	Use the appropriate carton size according to the actual order quantity 根据实际订单数量使用合适的纸箱尺寸
Carton 2	L500mm×W500mm×H305mm	
Carton 3	L580mm×W580mm×H320mm	



MARK

TOLERANCE  
X. X ±0.30  
X. XX ±0.20  
X. XXX ±0.10  
Angle ±2°

TITLE:  
XH2.5 Housing  
Packing

DRAWN: Arvin 2020.03.05

CHECKED:

APPROVED:

UNIT: mm

SCALE: N/A

SHEET: 1/1

PROJECTION

**KONNRA** 东莞市康瑞电子有限公司  
DongGuan Konnra Electronics Co., Ltd.

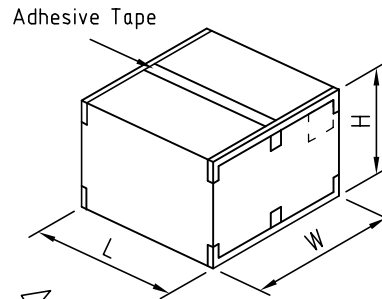
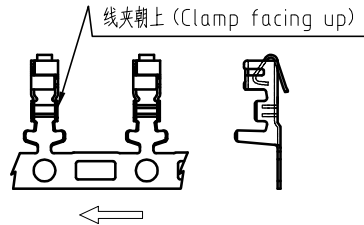
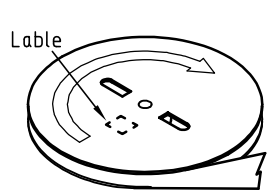
PART NO.: H250101\*\*0101G

REV.: A1

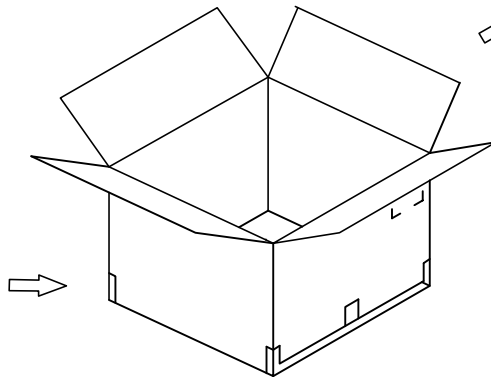
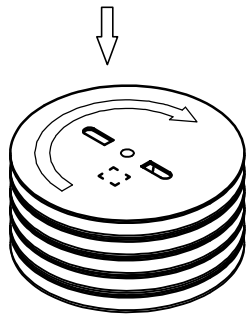
DRAWING NO.: 2501H101-G-P

1 2 3 4 5 6 7 8 9

RoHS  
COMPLIANT



Package way



Note注解:

- There shall be no dirt such as deformation phenomenon, Mantissa box fillers must be used  
每箱不可有脏污，变形现象，尾数箱必须用填充物
- Confirm whether the inner and outer labels are missing and the content must be consistent with the actual product  
确认内外标签有无漏失，内容与实物必须一致
- Quantity(数量): 9K PCS/REEL (9K PCS/盘)  
Packing quantity per carton depends on order and delivery quantity  
每箱包装数量依订单及交货数量而定

	SPEC.	Remark
Carton 1	L460mm×W460mm×H510mm	Use the appropriate carton size according to the actual order quantity 根据实际订单数量使用合适的纸箱尺寸
Carton 2	L500mm×W500mm×H305mm	
Carton 3	L580mm×W580mm×H320mm	



MARK

1

2

3

4

5

6

7

8

9

TOLERANCE

X. X ±0.30

X. XX ±0.20

X. XXX ±0.10

Angle ±2°

TITLE:  
XH2.5 Terminal  
Packaging

UNIT: mm

SCALE: N/A

DRAWN: Arvin 2020.03.05

CHECKED:

APPROVED:

SHEET: 1/1

PROJECTION

KONNRA 东莞市康瑞电子有限公司  
DongGuan Konnra Electronics Co., Ltd.

PART NO. : T25010PT0101F

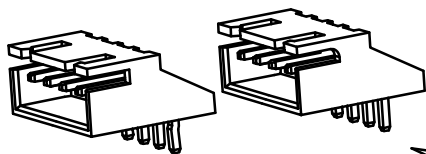
REV. : A1

DRAWING NO. : 2501T101-F-P

**RoHS**  
COMPLIANT

Step 1: Place Housing into PE bag and seal PE bag. Label.

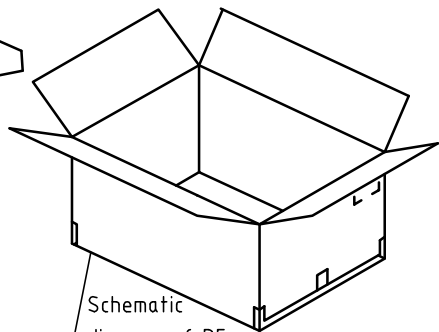
将 Housing放入PE袋内，并将PE袋封好，贴上标签。



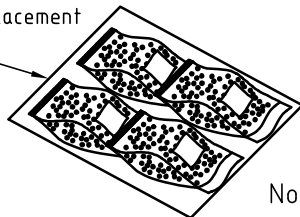
Label

Step 2: Put PE bag packed products in cartons, Packing detail see the table right

将装好产品的PE袋放入纸箱内，详细包装见右表



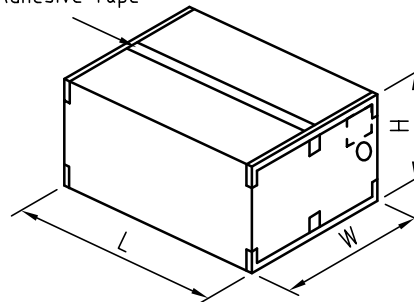
Schematic diagram of PE bag placement



Step 3: Put PE bag packed products in cartons, Packing detail see the table right

将装好产品的PE袋放入纸箱内，详细包装见右表

Adhesive Tape



Circuits	PCS/Bag
2	2000
3	2000
4	2000
5	2000
6	1000
7	1000
8	1000
9	1000
10	1000
11	1000
12	500
13	500
14	500
15	500
16	500

Note注解:

1. There shall be no dirt such as deformation phenomenon, Mantissa box fillers must be used  
每箱不可有脏污，变形现象，尾数箱必须用填充物
2. Confirm whether the inner and outer labels are missing and the content must be consistent with the actual product  
确认内外标签有无漏失，内容与实物必须一致
3. Packing quantity per carton depends on order and delivery quantity  
每箱包装数量依订单及交货数量而定

	SPEC.	Remark
Carton 1	L460mm×W460mm×H510mm	Use the appropriate carton size according to the actual order quantity根据实际订单数量使用合适的纸箱尺寸
Carton 2	L500mm×W500mm×H305mm	
Carton 3	L580mm×W580mm×H320mm	



MARK

1

2

3

4

5

6

7

8

9

TOLERANCE  
X.X ±0.30  
X.XX ±0.20  
X.XXX ±0.10  
Angle ±2°

TITLE:  
XH2.5 DIP 90° Wafer  
Packing

UNIT: mm

SCALE: N/A

DRAWN: Arvin 2020.03.05

CHECKED:

APPROVED:

SHEET: 1/1

PROJECTION

**KONNRA** 东莞市康瑞电子有限公司  
DongGuan Konnra Electronics Co., Ltd.

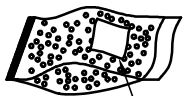
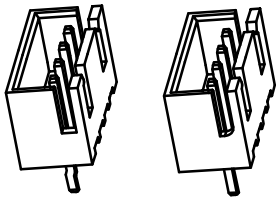
PART NO.: C2501RD1\*\*\*\*T01\*\*PD

REV.: A1 DRAWING NO.: 2501WRD101-D-P

**RoHS**  
COMPLIANT

Step 1: Place Housing into PE bag and seal PE bag. Label.

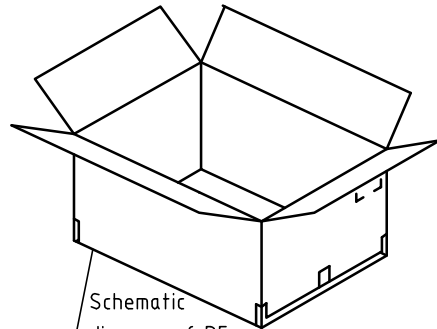
将 Housing放入PE袋内，并将PE袋封好，贴上标签。



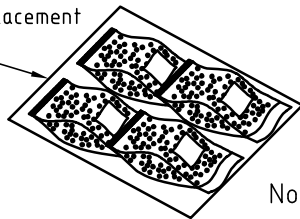
Label

Step 2: Put PE bag packed products in cartons, Packing detail see the table right

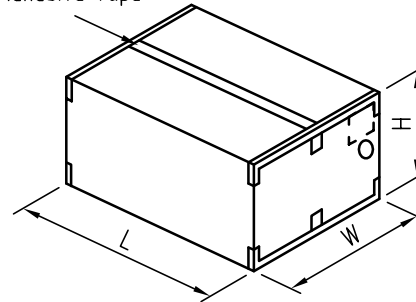
将装好产品的PE袋放入纸箱内，详细包装见右表



Schematic diagram of PE bag placement



Adhesive Tape



Circuits	PCS/Bag
2	2000
3	2000
4	2000
5	2000
6	1000
7	1000
8	1000
9	1000
10	1000
11	1000
12	1000
13	500
14	500
15	500
16	500

Note注解:

1. There shall be no dirt such as deformation phenomenon, Mantissa box fillers must be used  
每箱不可有脏污，变形现象，尾数箱必须用填充物
2. Confirm whether the inner and outer labels are missing and the content must be consistent with the actual product  
确认内外标签有无漏失，内容与实物必须一致
3. Packing quantity per carton depends on order and delivery quantity  
每箱包装数量依订单及交货数量而定

	SPEC.	Remark
Carton 1	L460mm×W460mm×H510mm	Use the appropriate carton size according to the actual order quantity根据实际订单数量使用合适的纸箱尺寸
Carton 2	L500mm×W500mm×H305mm	
Carton 3	L580mm×W580mm×H320mm	



MARK

1

2

3

4

5

6

7

8

9

TOLERANCE  
X. X ±0.30  
X. XX ±0.20  
X. XXX ±0.10  
Angle ±2°

TITLE:  
XH2.5 DIP 180°  
Wafer Packing

DRAWN: Arvin 2020.03.05

CHECKED:

APPROVED:

UNIT: mm

SCALE: N/A

SHEET: 1/1

PROJECTION

**KONNRA** 东莞市康瑞电子有限公司  
DongGuan Konnra Electronics Co., Ltd.

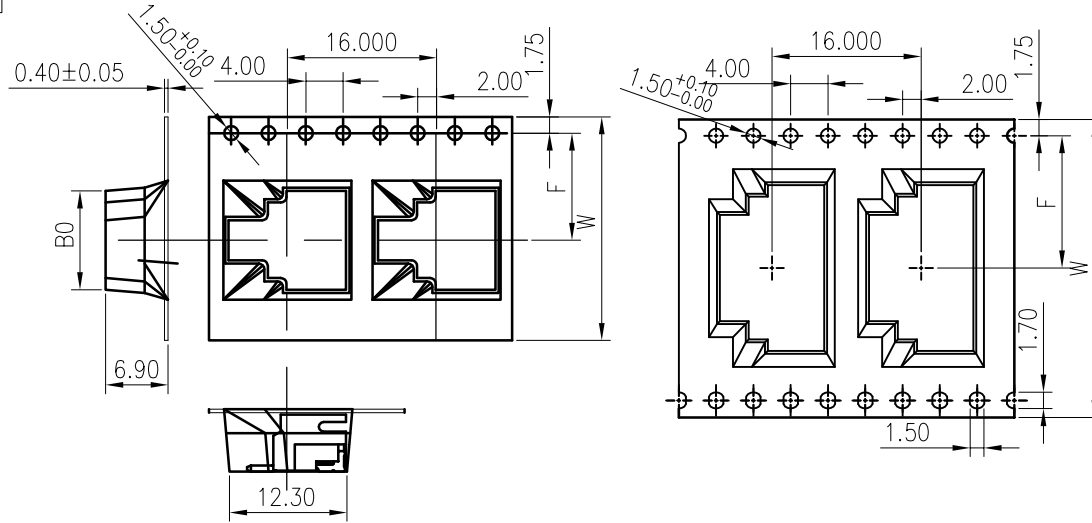
PART NO.: C2501VD1\*\*\*\*T01\*\*PD

REV.: A1

DRAWING NO.: 2501WDD101-D-P

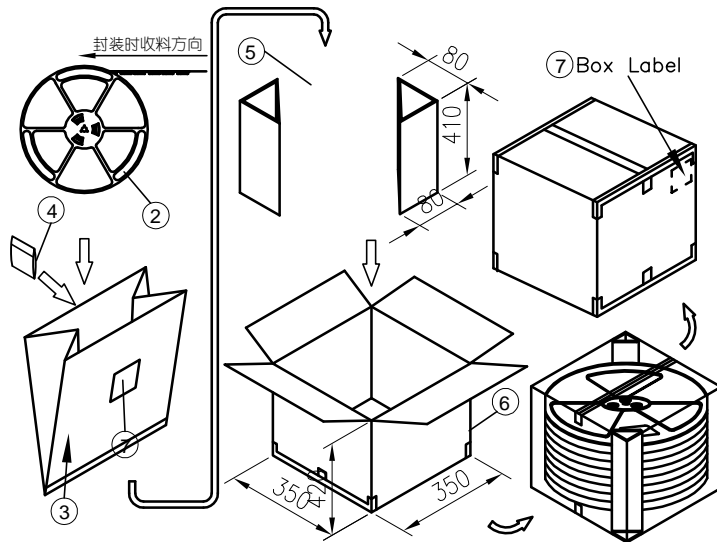


RoHS  
COMPLIANT



- NOTES:
- 1.ALL DIMENSIONS MEET EIA-481-D REQUIREMENTS.
  - 2.MATERIAL: BLACK PS
  - 3.CARRIER CAMER NOT TO EXCEED 1mm IN 250mm.
  - 4.A0 AND B0 MEASURED ON A PLANE 0.3mm ABOVE THE BOTTOM OF THE POCKET.
  - 5.K0 MEASURED FROM A PLANE ON THE INSIDE BOTTOM OF THE POCKET TO THE TOP SURFACE OF THE CARRIER.
  - 6.Q'ty/Reel:500PCS. (LENGTH:8.6m) 90模
  - 7.THICKNESS:0.4±0.05mm.
  - 8.REEL:13" 胶盘

CTK.	DIMENSIONS			Q'ty/BOX
	W±0.3	F±0.3	B0±0.3	
2P	24.0	11.50	10.30	14*500
3P	24.0	11.50	12.80	14*500
4P	32.0	14.20	15.30	11*500
5P	32.0	14.20	17.80	11*500
6P	32.0	14.20	20.30	11*500
7P	44.0	20.20	22.80	8*500
8P	44.0	20.20	25.30	8*500
9P	44.0	20.20	27.80	8*500
10P	44.0	20.20	30.30	8*500
16P	72.0	32.20	45.30	5*500



MARK

1

2

3

4

5

6

7

8

9

TOLERANCE

X.X ±0.30

X.XX ±0.20

X.XXX ±0.10

Angle ±2°

TITLE:  
XH2.5 SMT 90 WF  
Packing

UNIT: mm SCALE: N/A

DRAWN: Arvin 2020.05.30

CHECKED:

APPROVED:

SHEET: 1/1 PROJECTION

KONNRA 东莞市康瑞电子有限公司  
DongGuan Konnra Electronics Co., Ltd.

PART NO. : C2501RS1\*\*11M01\*\*RA

REV. : A1 DRAWING NO. : 2501WRS101-A-P