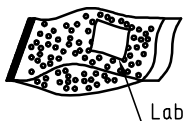
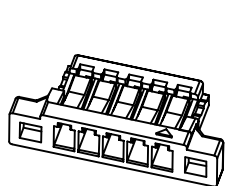


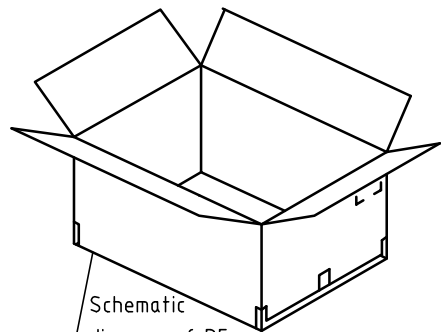
RoHS
COMPLIANT

Step 1: Place Housing into PE bag and seal PE bag. Label.
将 Housing放入PE袋内，并将PE袋封好，贴上标签。

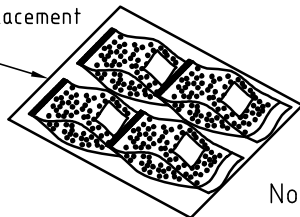


Label

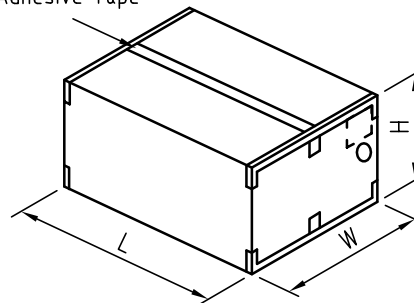
Step 2: Put PE bag packed products in cartons,
Packing detail see the table right
将装好产品的PE袋放入纸箱内，详细包装见右表



Schematic diagram of PE bag placement



Adhesive Tape



Note注解:

1. There shall be no dirt such as deformation phenomenon, Mantissa box fillers must be used
每箱不可有脏污，变形现象，尾数箱必须用填充物
2. Confirm whether the inner and outer labels are missing and the content must be consistent with the actual product
确认内外标签有无漏失，内容与实物必须一致
3. Packing quantity per carton depends on order and delivery quantity
每箱包装数量依订单及交货数量而定

Circuits	PCS/Bag
2	2000
3	2000
4	2000
5	2000
6	2000
7	2000
8	2000
9	2000
10	2000
11	2000
12	2000
13	2000
14	2000
15	2000
16	2000
17	2000
18	2000
19	2000
20	2000

	SPEC.	Remark
Carton 1	L460mm×W460mm×H510mm	Use the appropriate carton size according to the actual order quantity 根据实际订单数量使用合适的纸箱尺寸
Carton 2	L500mm×W500mm×H305mm	
Carton 3	L580mm×W580mm×H320mm	



MARK

1

2

3

4

5

6

7

8

9

TOLERANCE

X. X ±0.30

X. XX ±0.20

X. XXX ±0.10

Angle ±2°

TITLE:

0.8 Crimp Housing

Have Ear Package

specification

UNIT: mm

SCALE: N/A

DRAWN: Arvin 2020.03.05

CHECKED:

APPROVED:

SHEET: 1/1

PROJECTION

KONNRA 东莞市康瑞电子有限公司

DongGuan Konnra Electronics Co., Ltd.

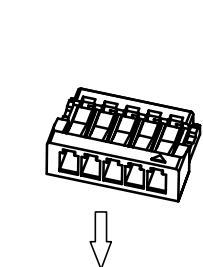
PART NO.: H080301**0701A

REV.: A1

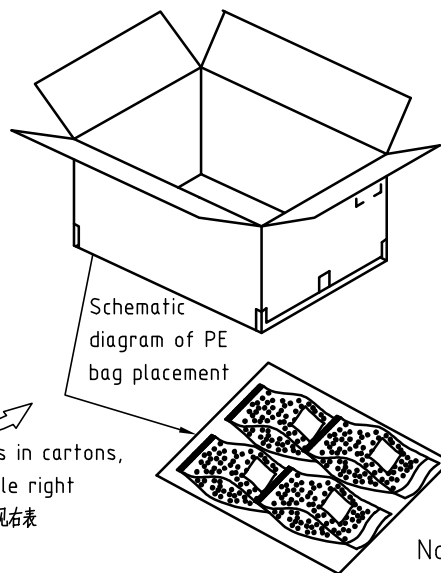
DRAWING NO.: 0803H101-A-P

RoHS
COMPLIANT

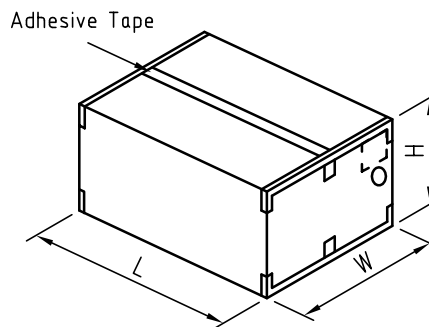
Step 1: Place Housing into PE bag and seal PE bag. Label.
将 Housing放入PE袋内, 并将PE袋封好, 贴上标签。



Step 2: Put PE bag packed products in cartons,
Packing detail see the table right
将装好产品的PE袋放入纸箱内, 详细包装见右表



Step 3: Put PE bag packed products in cartons,
Packing detail see the table right
将装好产品的PE袋放入纸箱内, 详细包装见右表



Circuits	PCS/Bag
2	2000
3	2000
4	2000
5	2000
6	2000
7	2000
8	2000
9	2000
10	2000
11	2000
12	2000
13	2000
14	2000
15	2000
16	2000
17	2000
18	2000
19	2000
20	2000

Note注解:

1. There shall be no dirt such as deformation phenomenon, Mantissa box fillers must be used
每箱不可有脏污, 变形现象, 尾数箱必须用填充物
2. Confirm whether the inner and outer labels are missing and the content must be consistent with the actual product
确认内外标签有无漏失, 内容与实物必须一致
3. Packing quantity per carton depends on order and delivery quantity
每箱包装数量依订单及交货数量而定

	SPEC.	Remark
Carton 1	L460mm×W460mm×H510mm	Use the appropriate carton size according to the actual order quantity 根据实际订单数量使用合适的纸箱尺寸
Carton 2	L500mm×W500mm×H305mm	
Carton 3	L580mm×W580mm×H320mm	



MARK

1

2

3

4

5

6

7

8

9

TOLERANCE
X. X ±0.30
X. XX ±0.20
X. XXX ±0.10
Angle ±2°

TITLE:
0.8 Crimp Housing
No Ear Package
specification

UNIT: mm SCALE: N/A

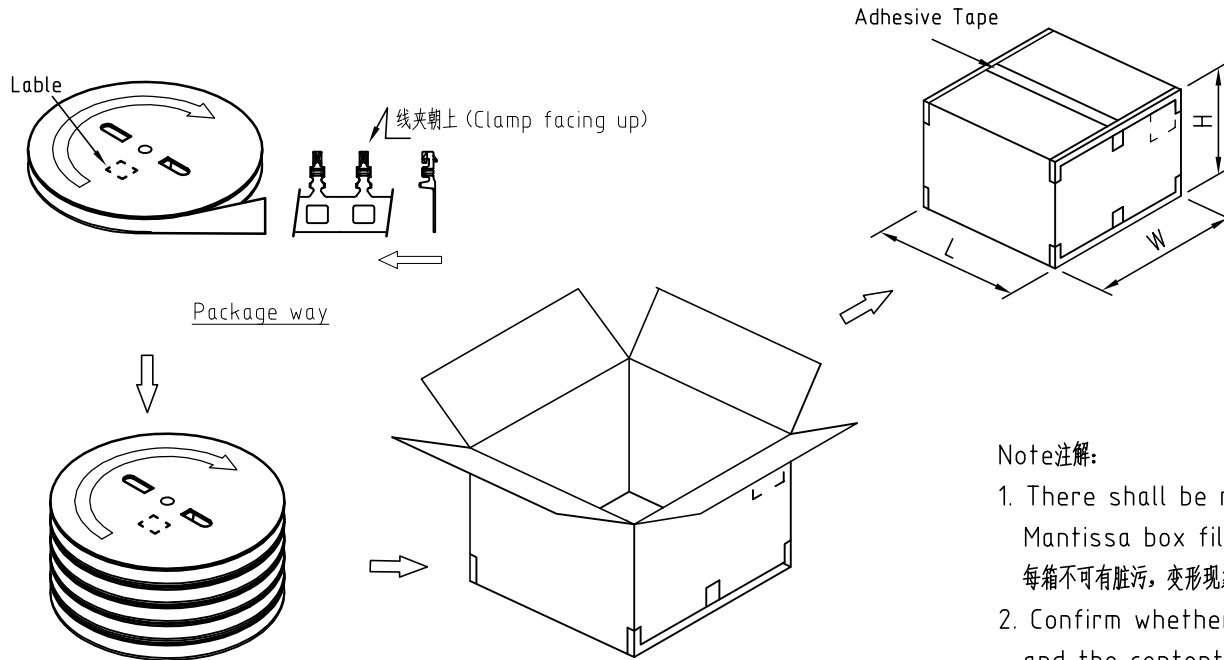
DRAWN: Arvin 2020.03.05
CHECKED:
APPROVED:

SHEET: 1/1 PROJECTION

KONNRA 东莞市康瑞电子有限公司
DongGuan Konnra Electronics Co., Ltd.
PART NO.: H080301**0702A

REV.: A1 DRAWING NO.: 0803H102-A-P

RoHS
COMPLIANT



Note注解:

1. There shall be no dirt such as deformation phenomenon, Mantissa box fillers must be used
每箱不可有脏污，变形现象，尾数箱必须用填充物
2. Confirm whether the inner and outer labels are missing and the content must be consistent with the actual product
确认内外标签有无漏失，内容与实物必须一致
3. Quantity(数量): 30K PCS/REEL (30K PCS/盘)
Packing quantity per carton depends on order and delivery quantity
每箱包装数量依订单及交货数量而定

	SPEC.	Remark
Carton 1	L460mm×W460mm×H510mm	Use the appropriate carton size according to the actual order quantity 根据实际订单数量使用合适的纸箱尺寸
Carton 2	L500mm×W500mm×H305mm	
Carton 3	L580mm×W580mm×H320mm	



MARK

1

2

3

4

5

6

7

8

9

TOLERANCE

X. X ±0.30

X. XX ±0.20

X. XXX ±0.10

Angle ±2°

TITLE:
0.8 Crimp Terminal
Package
Specification

UNIT: mm

SCALE: N/A

DRAWN: Arvin 2020.03.05

CHECKED:

APPROVED:

SHEET: 1/1

PROJECTION

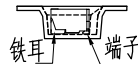
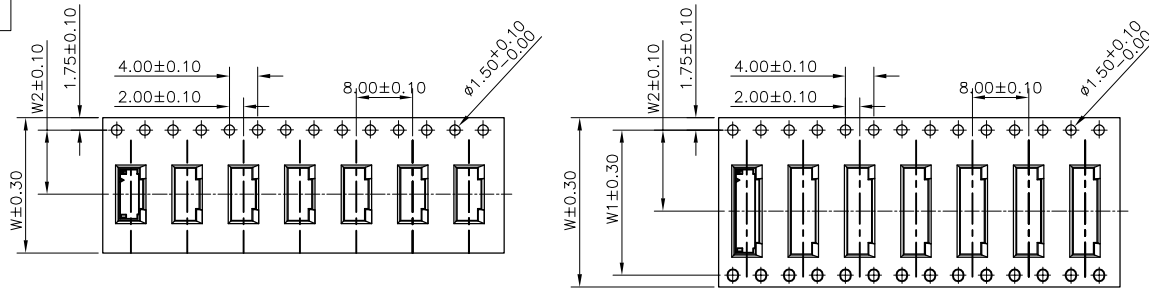
KONNRA 东莞市康瑞电子有限公司
DongGuan Konnra Electronics Co., Ltd.

PART NO. : T08030P***01A

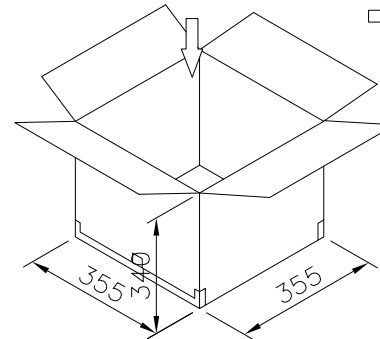
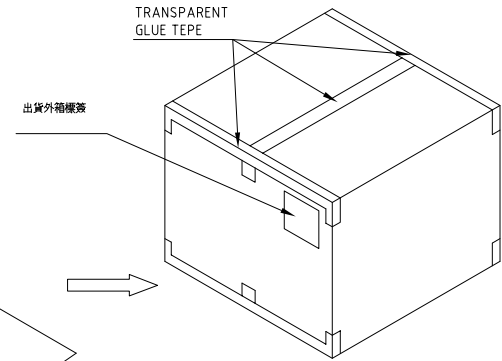
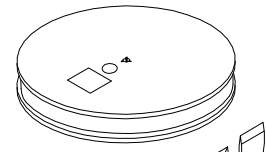
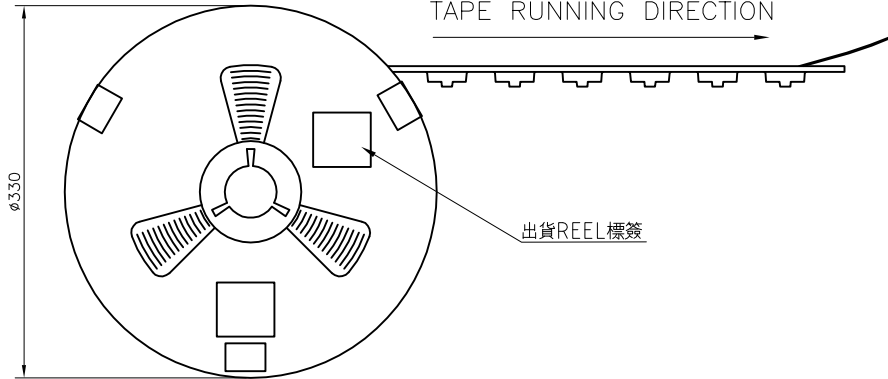
REV. : A1

DRAWING NO. : 0803T101-A-P

RoHS
COMPLIANT



TAPE RUNNING DIRECTION



包装说明:

把成品包入卷盘中,每盘包装3500PCS;
卷盘上贴标签,将装好产品的卷盘放于PE袋中
真空封装后放进外箱,并于外箱上贴上标签.

Pin No.	W	W2	W1	Q'ty/Reel	Reel/Carton
2~3	12	5.5	--	3500 PCS	18
4~8	16	7.5	--	3500 PCS	14
9~16	24	11.5	--	3500 PCS	10
17~20	32	20.2	28.4	3500 PCS	8



MARK REVISION DESCRIPTION SIGNATURE DATE

TOLERANCE
X.X ±0.30
X.XX ±0.20
X.XXX ±0.10
Angle ±2°

TITLE:
SURO.8 SMT 90°
Wafer Packing

UNIT: mm SCALE: N/A

DRAWN: Arvin 2020.03.05

CHECKED:

APPROVED:

SHEET: 1/1 PROJECTION

KONNRA 东莞市康瑞电子有限公司
DongGuan Konnra Electronics Co., Ltd.

PART NO.: C0800RS1**13G0101RA

REV.: A1 DRAWING NO.: 0800WRS01-A-P

1

2

3

4

5

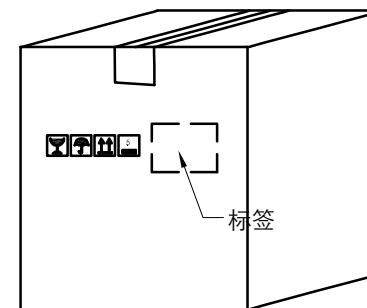
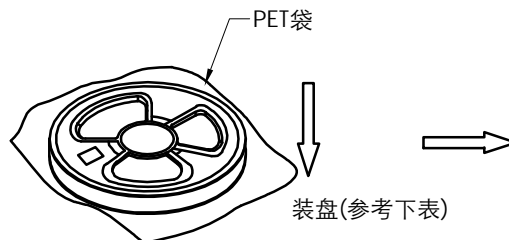
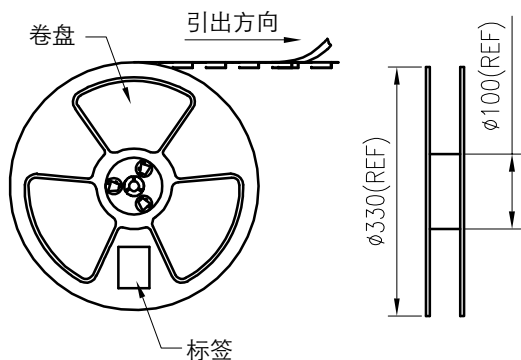
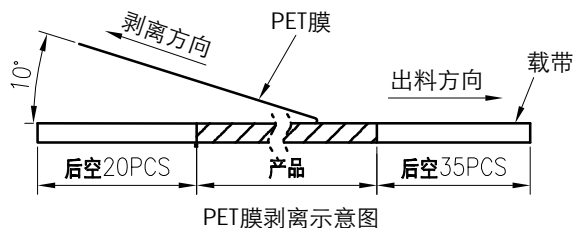
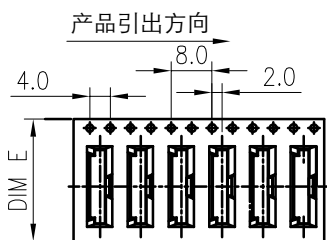
6

7

8

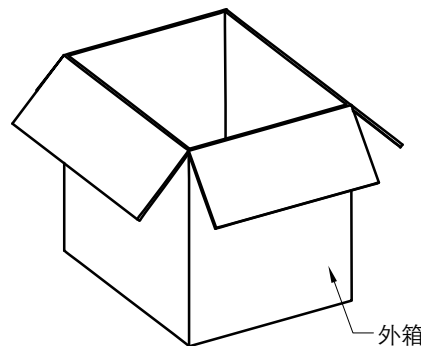
9

RoHS
COMPLIANT



纸箱规格: 355*355*340mm

Circuits	DIM W	Q'ty/Reel	Packing Reel/Carton
2	16	2000 PCS	14R

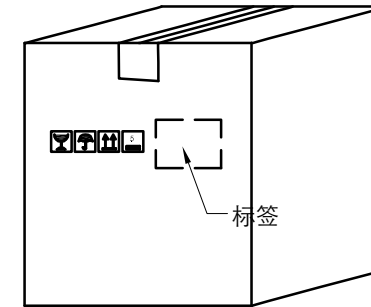
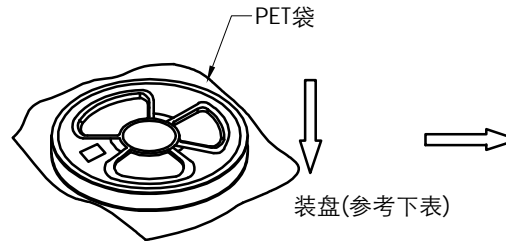
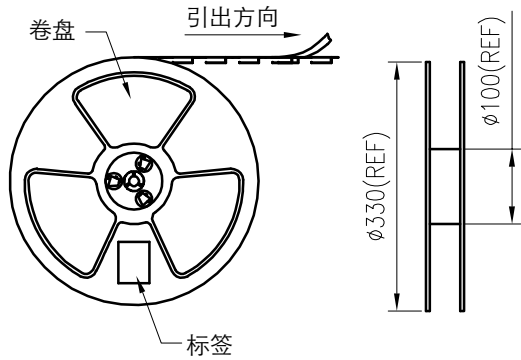
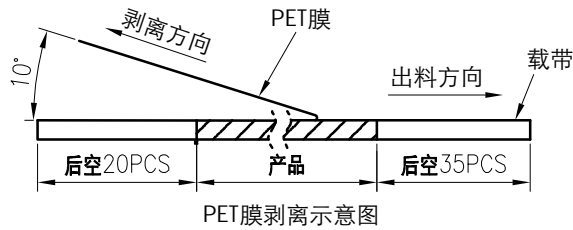
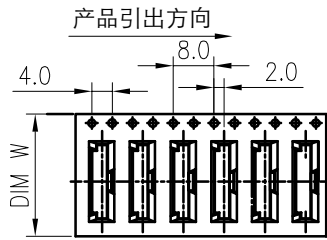


包装说明:

成品包入卷盘中, 每盘装2000PCS, 卷盘贴好标签, 再将装好产品的卷盘放入PE袋真空封装, 并适量装箱, 外箱上按规格贴合标签.

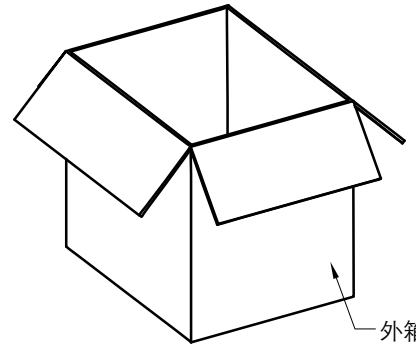
MARK	REVISION DESCRIPTION	SIGNATURE	DATE	TOLERANCE	TITLE:	DRAWN:	KONNRA 东莞市康瑞电子有限公司 DongGuan Konnra Electronics Co., Ltd.					
A4				X. X ±0.30	SURO.8 SMT 180°	Arvin 2020.10.28	PART NO.: C0800VS10213G0111RA					
A3				X. XX ±0.20	Wafer 2P B Type	CHECKED:				REV.: A1 DRAWING NO.: 0800WS102-A-P		
A2				X. XXX ±0.10	Packing	APPROVED:						
				Angle ±2°	UNIT: mm SCALE: N/A	SHEET: 1/1 PROJECTION						

RoHS
COMPLIANT



纸箱规格: 355*355*340mm

Circuits	DIM W	Q'ty/Reel	Packing Reel/Carton
2-7	16	2000 PCS	14R
8-17	24	2000 PCS	10R



包装说明:

成品包入卷盘中, 每盘装2000PCS, 卷盘贴好标签, 再将装好产品的卷盘放入PE袋真空封装, 并适量装箱, 外箱上按规格贴合标签.

MARK	REVISION DESCRIPTION	SIGNATURE	DATE	TOLERANCE	TITLE:	DRAWN:	KONNRA 东莞市康瑞电子有限公司 DongGuan Konnra Electronics Co., Ltd.					
A4				X. X ±0.30	SURO.8 SMT 180°	Arvin 2020.10.28	PART NO.: C0800VS1**13G0101RA					
A3				X. XX ±0.20	Wafer Packing	CHECKED:				REV.: A1 DRAWING NO.: 0800WS101-A-P		
A2				X. XXX ±0.10		APPROVED:						
				Angle ±2°	UNIT: mm SCALE: N/A	SHEET: 1/1 PROJECTION						