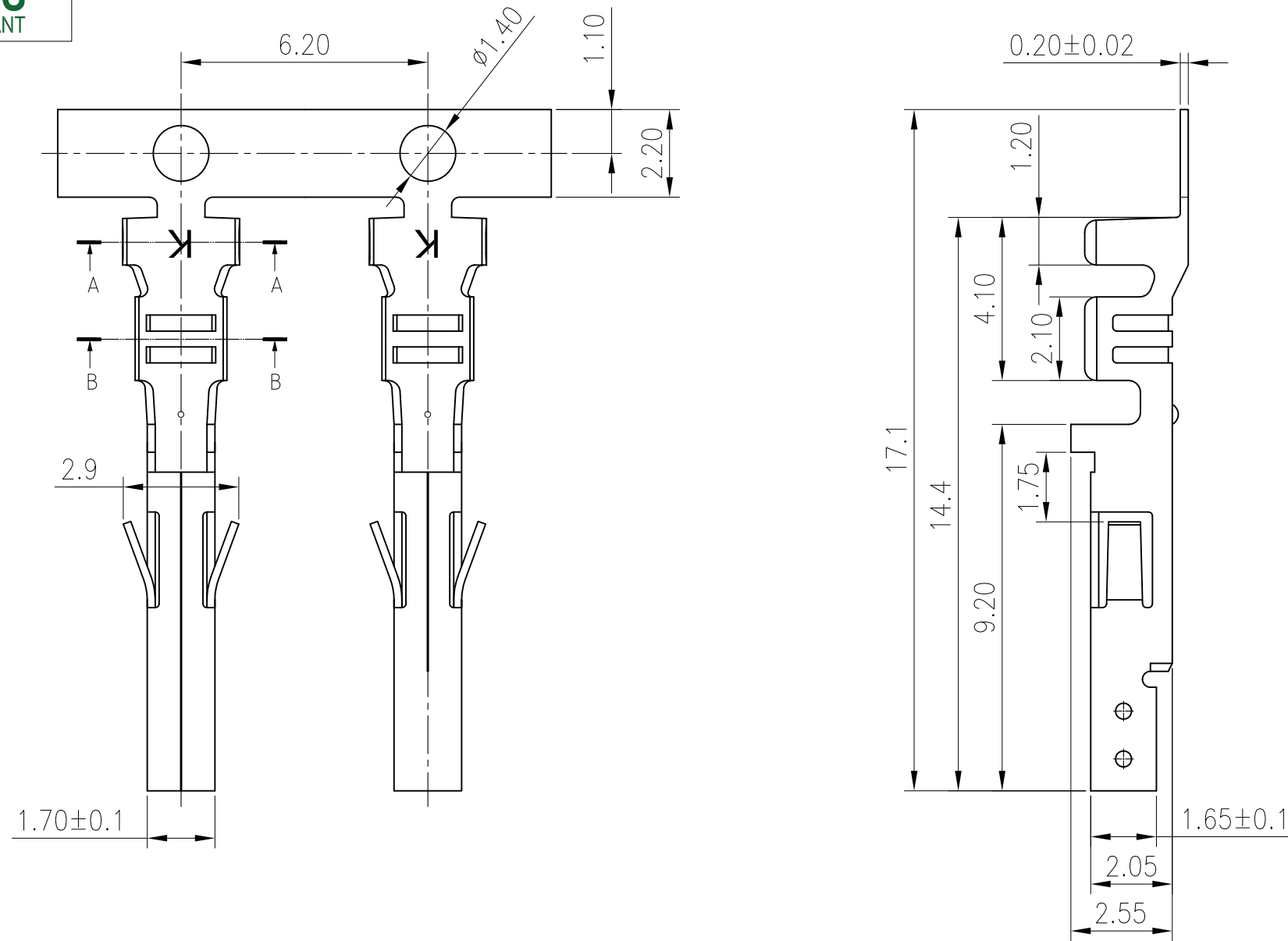


RoHS
COMPLIANT



◆ SPECIFICATIONS

- Current rating: 9A AC, DC(AWG#16,2 Circuit)
- Voltage rating: 600V AC,DC
- Temperature range: -40°C ~ +105°C
- Insulation resistance: 1000MΩ Min.
- Withstanding voltage: 1500V AC/ minute.
- Contact resistance: 10mΩ Max.

Material: Brass or Phosphor Bronze

Plating: Tin plated over Nickel

Applicable wire:

Conductor size: AWG#20~#24

Insulation O.D.: 1.10mm~1.80mm

Q'ty/reel: 10,000pcs

Ordering Code:

T4200F****02A

B:BRASS

S00:Material

P:Phosphorus

T01: Tin Plated

copper

SECTION A-A

SECTION B-B



MARK

				TOLERANCE	TITLE:	DRAWN:	KONNRA 东莞市康瑞电子有限公司		
	Uniformly arrange the drawings	Shen	2021.09.22	X.X ±0.3	MX4.2 Male Terminal short foot	CHECKED:	DongGuan Konnra Electronics Co.,Ltd.		
	Change the part number and frame format	TLX	2020.05.14	X.XX ±0.2		APPROVED:	PART NO.: T4200F****02A		
				X.XXX ±0.1			REV.: A3	DRAWING NO.: 4200TF01-A-S	
	REVISION DESCRIPTION	SIGNATURE	DATE	Angle ±1°	UNIT:mm	SCALE: 1/1	SHEET: 1/1	PROJECTION	