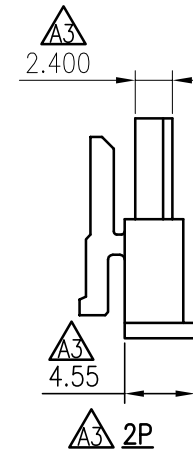
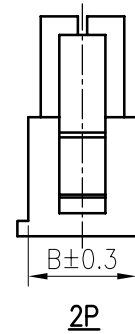
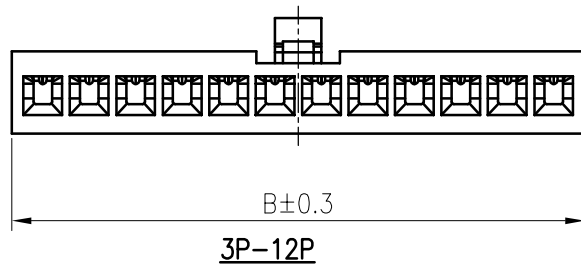
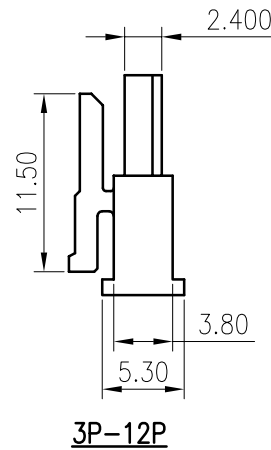
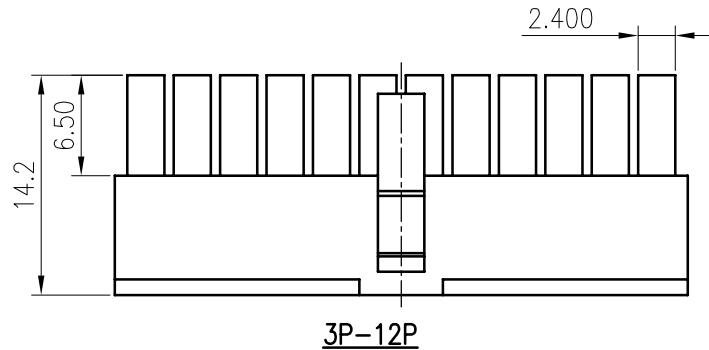
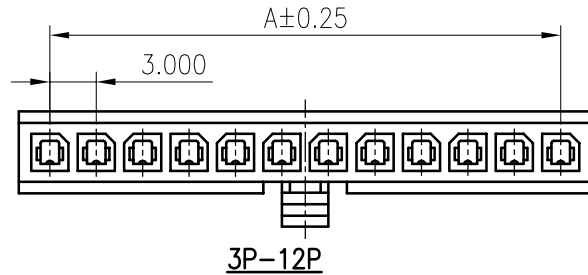


RoHS  
COMPLIANT



**SPECIFICATIONS**

1. Current rating: 5A AC, DC
2. Voltage rating: 250V AC,DC
3. Temperature range: -40°C ~ +105°C  $\triangle A4$
4. Insulation resistance: 1000M $\Omega$  Min.
5. Withstanding voltage: 1500V AC/ minute.
6. Contact resistance: 10m $\Omega$  Max.

Material: PA66 UL94 V-0 or V-2

Circuits: 2~12

Suitable:KR3000HM series terminal

Mate With KR3000HF series single row housing and kr3000 series single row wafer

Ordering Code:

H3000M \*\*\* \*\* 01A  $\triangle A5$

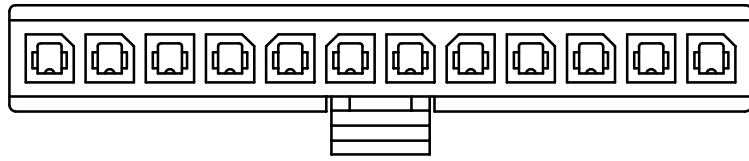
No. of Circuits  
102:2P,112:12P

Insulator Material  
02:PA66 UL94V-0 black  
04:PA66 UL94V-2 black

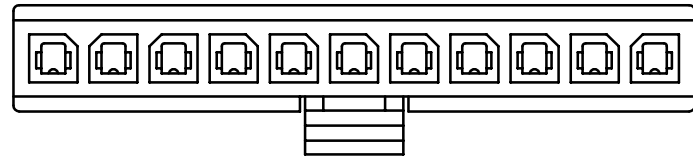
Circuits	Dimensions	
	A	B
2P	3.0	7.00
3P	6.0	10.00
4P	9.0	13.00
5P	12.0	16.00
6P	15.0	19.00
7P	18.0	22.00
8P	21.0	25.00
9P	24.0	28.00
10P	27.0	31.00
11P	30.0	34.00
12P	33.0	37.00

F	$\triangle A7$				TOLERANCE X. X $\pm 0.30$ X. XX $\pm 0.20$ X. XXX $\pm 0.10$ Angle $\pm 2^\circ$	TITLE: MK3.0 Male Housing Single Row	DRAWN: TLX 2020.04.08		KONNRA 东莞市康瑞电子有限公司 DongGuan Konnra Electronics Co., Ltd.		
	$\triangle A6$	Uniformly arrange the drawings	Arvin	2021.09.24			CHECKED:				
	$\triangle A5$	Change the part number and frame format	TLX	2020.04.08			APPROVED:		PART NO. : H3000M****01A		
	MARK	REVISION DESCRIPTION	SIGNATURE	DATE			UNIT: mm	SCALE: N/A	SHEET: 1/1	PROJECTION	REV. : A6
	1	2	3	4	5	6	7	8	9		

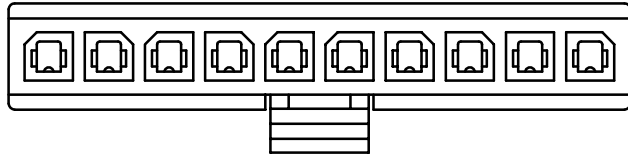
RoHS  
COMPLIANT



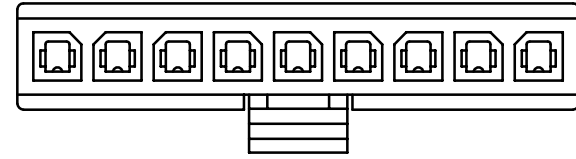
12P



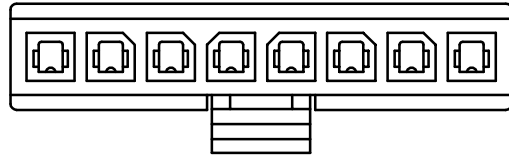
11P



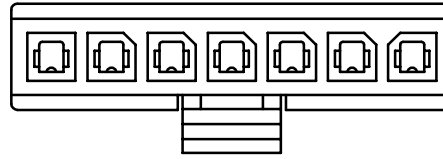
10P



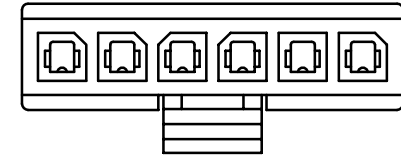
9P



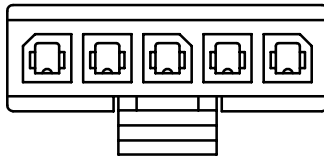
8P



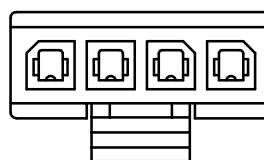
7P



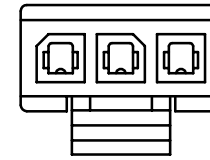
6P



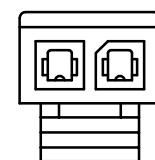
5P



4P



3P



2P

F					TOLERANCE	TITLE:	DRAWN: TLX 2020.04.08	KONNRA 东莞市康瑞电子有限公司 DongGuan Konnra Electronics Co., Ltd.		
		Uniformly arrange the drawings	Arvin	2021.09.24	X. X ±0.30	MX3.0 Male Housing Single Row	CHECKED:			
		Change the part number and frame format	TLX	2020.04.08	X. XX ±0.20		APPROVED:	PART NO. : H3000M****01A		
	MARK	REVISION DESCRIPTION	SIGNATURE	DATE	X. XXX ±0.10 Angle ±2°	UNIT: mm	SCALE: N/A	SHEET: 2/2	PROJECTION	REV. : A6

1

2

3

4

5

6

7

8

9



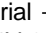

RoHS  
COMPLIANT

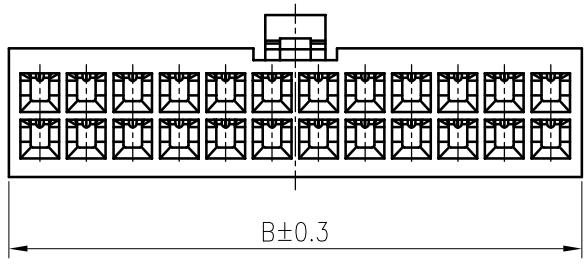
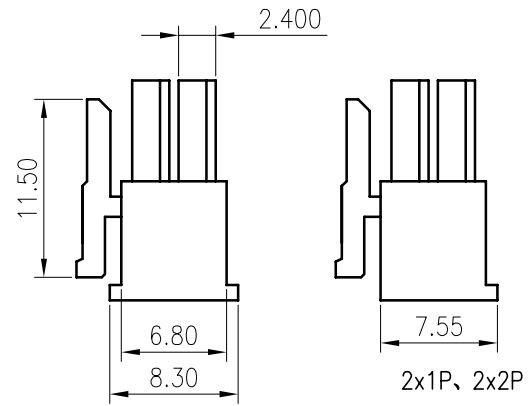
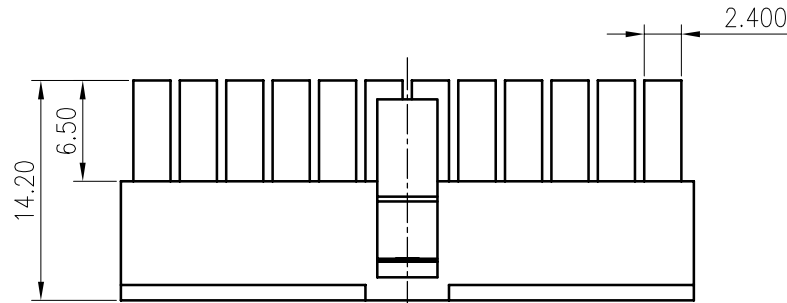
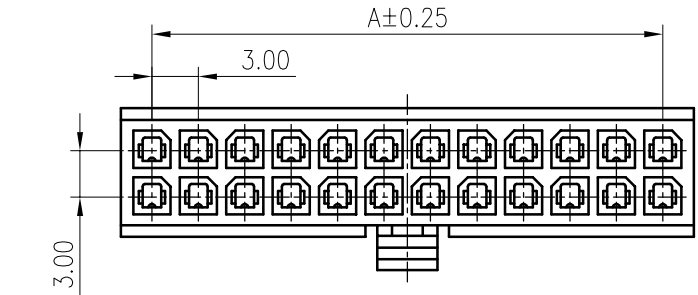
**SPECIFICATIONS**

1. Current rating: 5A AC, DC
2. Voltage rating: 250V AC,DC
3. Temperature range: -40°C ~ +105°C
4. Insulation resistance: 1000MΩ Min.
5. Withstanding voltage: 1500V AC/ minute.
6. Contact resistance: 10mΩ Max.




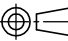
Material: PA66 UL94 V-0 or V-2  
 Circuits: 2\*2~2\*12  
 Suitable: KR3000HM series terminal  
 Mate With KR3000HF series dual row housing  
 and kr3000 series dual row wafer

Ordering Code:

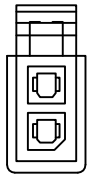
H3000M \*\*\* \*\* 01A   
 No. of Circuits   
 201:2x1P,  
 202:2x2P.....  
 Insulator Material   
 02:PA66 UL94V-0 black   
 04:PA66 UL94V-2 black



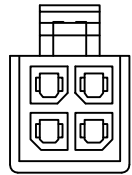
Circuits	Dimensions	
	A	B
2*1P		5.50
2*2P	3.0	8.50
2*3P	6.0	10.00
2*4P	9.0	13.00
2*5P	12.0	16.00
2*6P	15.0	19.00
2*7P	18.0	22.00
2*8P	21.0	25.00
2*9P	24.0	28.00
2*10P	27.0	31.00
2*11P	30.0	34.00
2*12P	33.0	37.00

F					TOLERANCE	TITLE: MK3.0 Male Housing Dual Row	DRAWN: TLX 2020.04.08		KONNRA 东莞市康瑞电子有限公司 DongGuan Konnra Electronics Co., Ltd.	
		Uniformly arrange the drawings	Arvin	2021.09.24	X. X ±0.30		CHECKED:			
		Change the part number and frame format	TLX	2020.04.08	X. XX ±0.20		APPROVED:	PART NO. : H3000M****01A		
	MARK	REVISION DESCRIPTION	SIGNATURE	DATE	X. XXX ±0.10		UNIT: mm	SCALE: N/A	SHEET: 1/2	PROJECTION 
	1	2	3	4		5	6	7	8	9

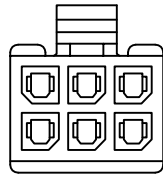
RoHS  
COMPLIANT



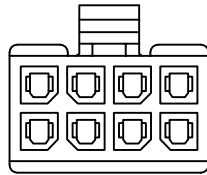
2\*1P



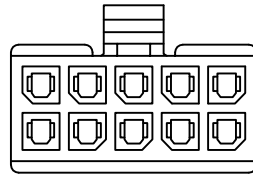
2\*2P



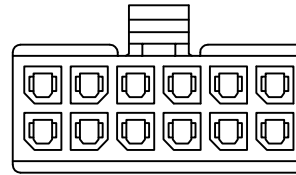
2\*3P



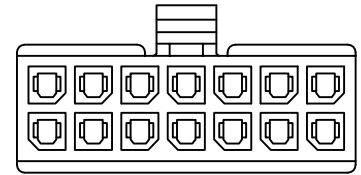
2\*4P



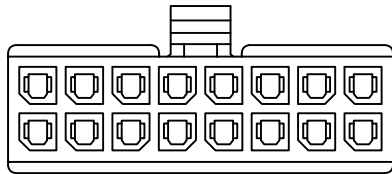
2\*5P



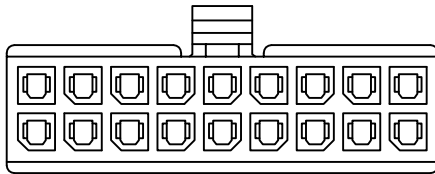
2\*6P



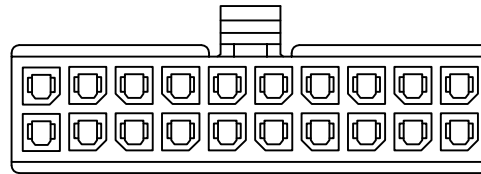
2\*7P



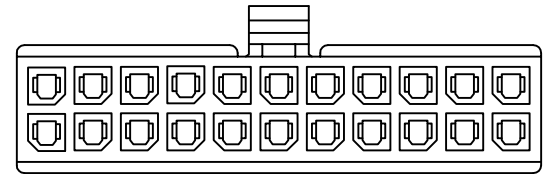
2\*8P



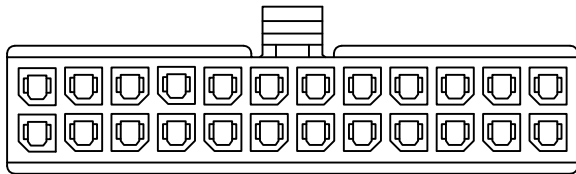
2\*9P



2\*10P



2\*11P



2\*12P



MARK

Uniformly arrange the drawings  
Change the part number and  
frame format

Arvin  
TLX

2021.09.24  
2020.04.08

TOLERANCE  
X. X ±0.30  
X. XX ±0.20  
X. XXX ±0.10  
Angle ±2°

TITLE:  
MX3.0 Male Housing  
Dual Row

UNIT: mm SCALE: N/A

DRAWN: TLX 2020.04.08

CHECKED:

APPROVED:

SHEET: 2/2 PROJECTION

KONNRA 东莞市康瑞电子有限公司  
DongGuan Konnra Electronics Co., Ltd.

PART NO. : H3000M\*\*\*\*01A

REV. : A5 DRAWING NO. : 3000HM201-A-S

1

2

3

4

5

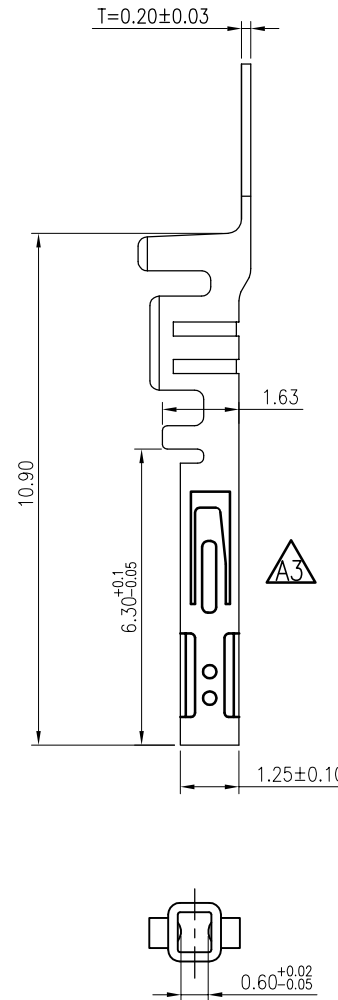
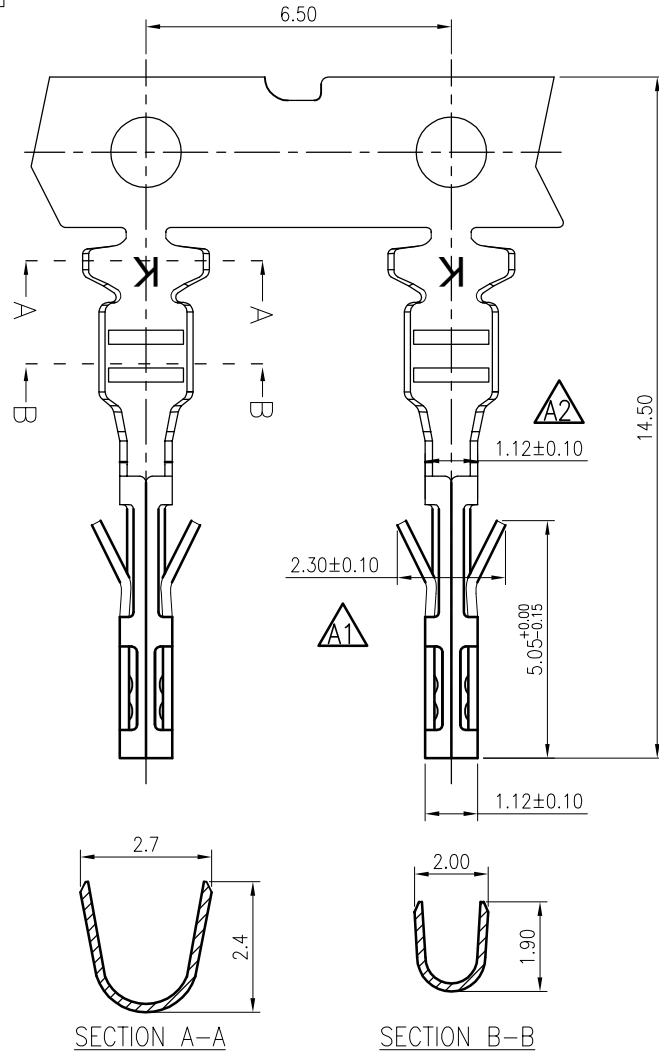
6

7

8

9

RoHS  
COMPLIANT



**SPECIFICATIONS**

1. Current rating: 5A AC, DC
2. Voltage rating: 250V AC,DC
3. Temperature range: -40°C ~ +105°C
4. Insulation resistance: 1000MΩ Min.
5. Withstanding voltage: 1500V AC/ minute.
6. Contact resistance: 10mΩ Max.

Material: Phosphor Bronze  
 Plating: See Tin plated over Nickel  
 Applicable wires: AWG #20~#24  
 Insulation O.D 1.30~1.80 mm  
 Suitable KR3000 series housing  
 Qty/reel:10,000PCS

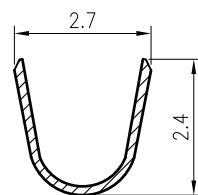
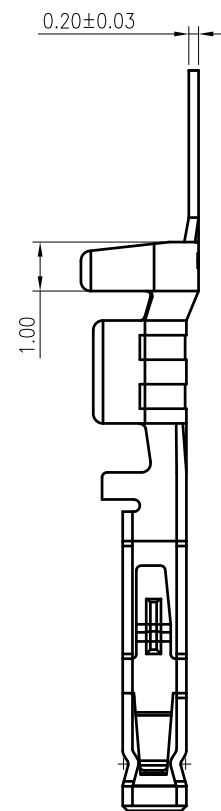
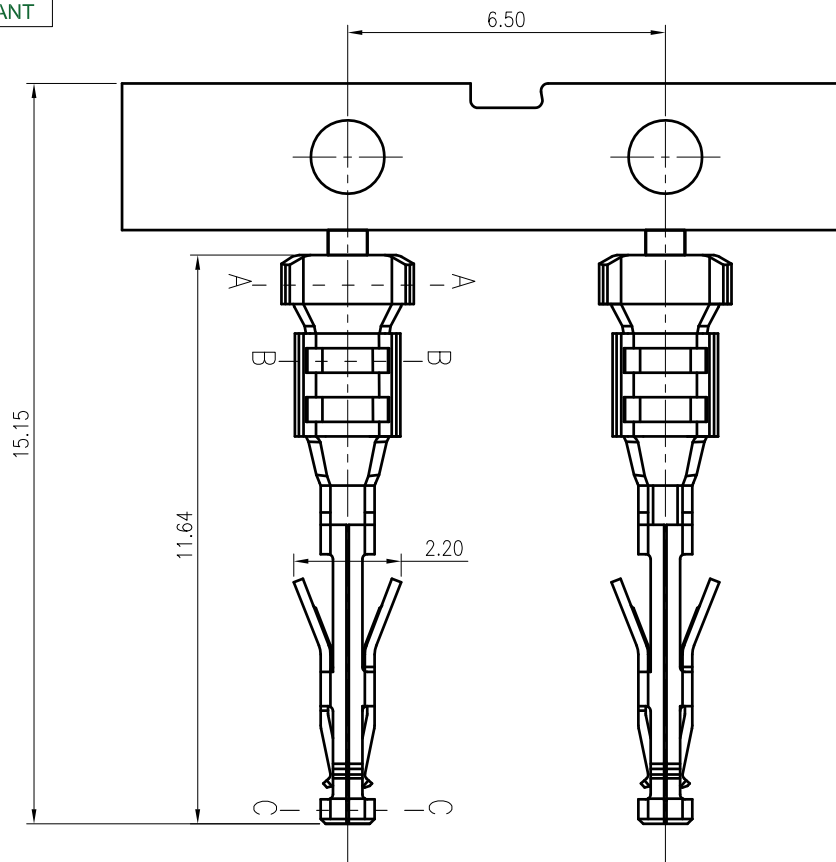
Ordering Code:

**A4** T3000FP B01 01A

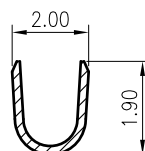
- Plating
- T01: Tin plated
  - G03: gold plated 3u"
  - B01: Selective gold fish
  - B02: Selective gold plated 1u"
  - B03: Selective gold plated 3u"
  - B04: Selective gold plated 5u"
  - B07: Selective gold plated 30u"
  - B08: Selective gold plated 2u"

F	<b>A6</b>				<b>TOLERANCE</b> X. X ± 0.30 X. XX ± 0.20 X. XXX ± 0.10 Angle ± 2°	<b>TITLE:</b> MK3.0 Female Terminal W=2.30	DRAWN: ru yi 2020.03.10		KONNRA 东莞市康瑞电子有限公司	
	<b>A5</b>	Uniformly arrange the drawings	Arvin	2021.09.26			CHECKED:		DongGuan Konnra Electronics Co., Ltd.	
	<b>A4</b>	Change the part number and frame format	TLX	2021.04.14			APPROVED:		PART NO. : T3000FP***01A	
	<b>MARK</b>	<b>REVISION DESCRIPTION</b>	<b>SIGNATURE</b>	<b>DATE</b>			<b>UNIT: mm</b>	<b>SCALE: N/A</b>	<b>SHEET: 1/1</b>	<b>PROJECTION</b>
	1	2	3	4	5	6	7	8	9	

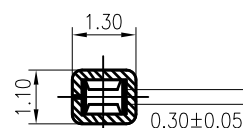
**RoHS**  
COMPLIANT



SECTION A-A



SECTION B-B



SECTION C-C

**SPECIFICATIONS**

1. Current rating: 5A AC, DC
2. Voltage rating: 250V AC,DC
3. Temperature range: -40°C ~ +105°C
4. Insulation resistance: 1000MΩ Min.
5. Withstanding voltage: 1500V AC/ minute.
6. Contact resistance: 10mΩ Max.

Material: Phosphor Bronze  
 Plating: Tin or gold plated over Nickel  
 Applicable wires: AWG #20~#24  
 Insulation O.D 1.30~1.80 mm  
 Suitable KR3000 series housing  
 Qty/reel:10,000PCS

Ordering Code:

T3000FP B01 01C

Plating  
 T01: Tin plated  
 B01: Selective Gold flsh  
 B02: Selective Gold 1u"



MARK

REVISION	DESCRIPTION	SIGNATURE	DATE
1	Uniformly arrange the drawings	Arvin	2021.09.26
2	Change the part number and frame format	Arvin	2020.12.19

TOLERANCE
X.X ±0.30
X.XX ±0.20
X.XXX ±0.10
Angle ±2°

TITLE:  
 MX3.0 Female  
 Terminal B Type

UNIT:mm SCALE:N/A

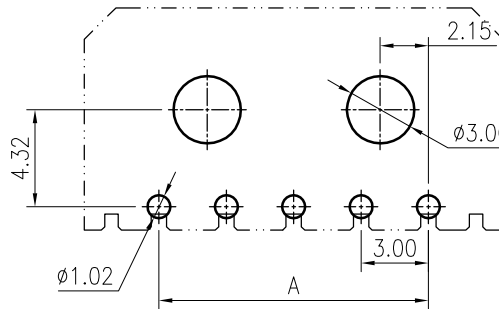
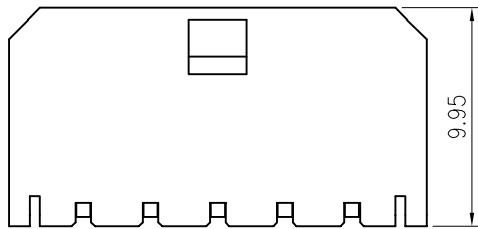
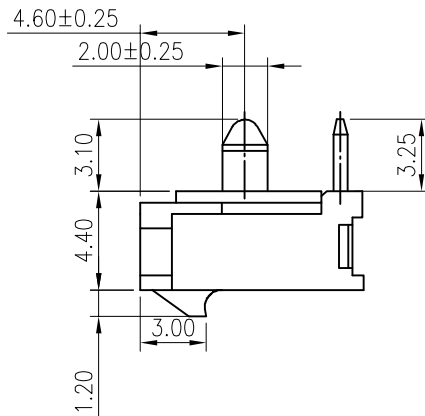
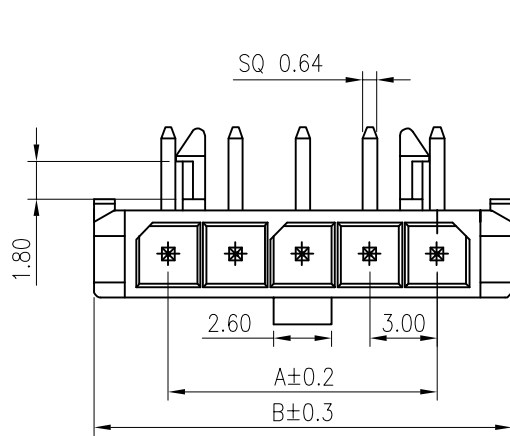
DRAWN: <i>Arvin 2020.12.19</i>
CHECKED:
APPROVED:

SHEET: 1/1 PROJECTION

**KONNRA** 东莞市康瑞电子有限公司  
 DongGuan Konnra Electronics Co.,Ltd.  
 PART NO.: T3000FP\*\*\*01C

REV.: A3 DRAWING NO.: 3000TF01-C-S

**RoHS**  
COMPLIANT



Recommended P.C.B. Layout  
Total tolerance: ±0.05mm

**SPECIFICATIONS**

1. Current rating: 5A AC, DC
2. Voltage rating: 250V AC,DC
3. Temperature range: -40°C ~ +105°C
4. Insulation resistance: 1000MΩ Min.
5. Withstanding voltage: 1500V AC/ minute.
6. Contact resistance: 10mΩ Max.

**Material:**

Insulator: PA9T UL 94V-0  
Contact: Brass  
Plating: Tin plated over nickel  
Circuits: 2~12  
Mate with KR3000 series single row housing

**Ordering Code:**

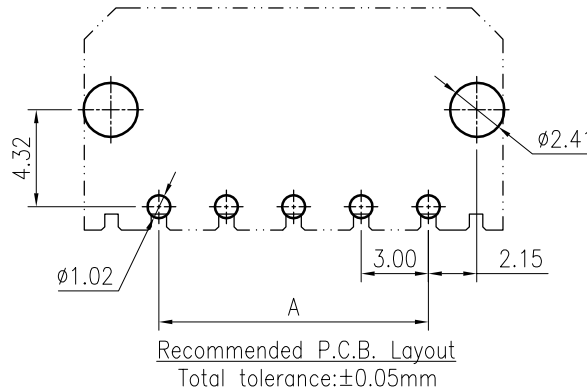
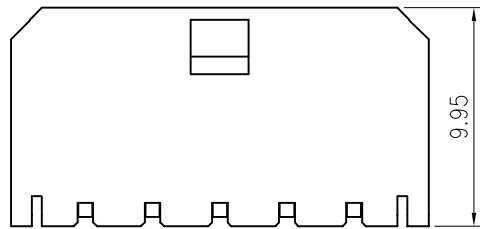
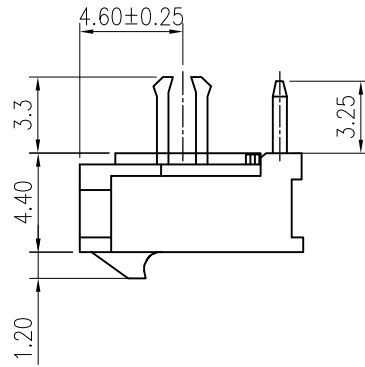
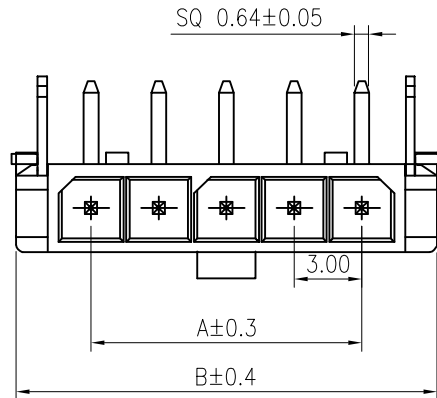
**A** C3000RD \*\*\* \*\* T0101 R A

No. of Circuits: 102:2P, 103:3P.....  
Insulator Material: 11:PA9T Natural, 12:PA9T Black  
Packing: R: Reel Tape, P: Bag

PIN NO.	DIMENSIONS	
	A	B
2P	3.00	9.65
3P	6.00	12.65
4P	9.00	15.65
5P	12.00	18.65
6P	15.00	21.65
7P	18.00	24.65
8P	21.00	27.65
9P	24.00	30.65
10P	27.00	33.65
11P	30.00	36.65
12P	33.00	39.65

F	<b>A4</b>				<b>TOLERANCE</b>	<b>TITLE:</b>	<b>DRAWN:</b> ru yi 2020.03.10	<b>KONNRA</b> 东莞市康瑞电子有限公司 DongGuan Konnra Electronics Co., Ltd.		
	<b>A3</b>	Uniformly arrange the drawings	Arvin	2021.09.18	X. X ±0.30	MK3.0 DIP 90° Wafer Single Row	<b>CHECKED:</b>			
	<b>A2</b>	Change the part number and frame format	Ru yi	2020.3.10	X. XX ±0.20		<b>APPROVED:</b>	<b>REV. : A3 DRAWING NO. : 3000WRD101-A-S</b>		
	<b>MARK</b>	<b>REVISION DESCRIPTION</b>	<b>SIGNATURE</b>	<b>DATE</b>	X. XXX ±0.10		<b>UNIT: mm</b>			
	1	2	3	4	5	6	7	8	9	

RoHS  
COMPLIANT



**SPECIFICATIONS**

1. Current rating: 5A AC, DC
2. Voltage rating: 250V AC,DC
3. Temperature range: -40°C ~ +105°C
4. Insulation resistance: 1000MΩ Min.
5. Withstanding voltage: 1500V AC/ minute.
6. Contact resistance: 10mΩ Max.

**Material:**

Insulator: LCP UL 94V-0  
 Contact: Brass  
 Plating: Tin plated over nickel  
 Circuits: 2~12  
 Mate with KR3000 series single row housing

**Ordering Code:**

**A** C3000RD \*\*\* 14 T0102 R A

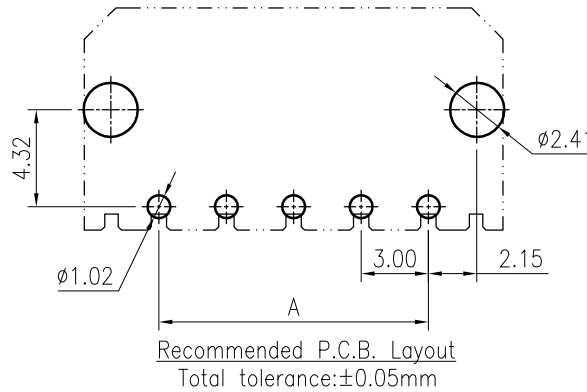
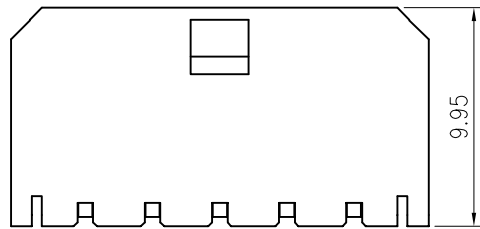
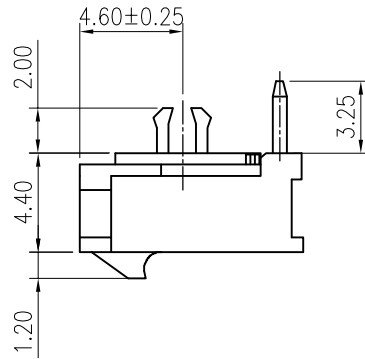
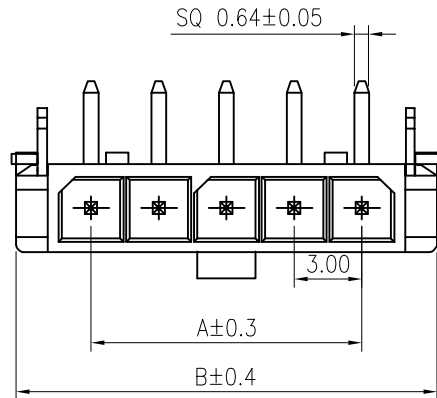
No. of Circuits: 102:2P,103:3P.....  
 Insulator Material: 14:LCP Black  
 Packing: R: Reel Tape, P: Bag

PIN NO.	DIMENSIONS	
	A	B
2P	3.00	9.65
3P	6.00	12.65
4P	9.00	15.65
5P	12.00	18.65
6P	15.00	21.65
7P	18.00	24.65
8P	21.00	27.65
9P	24.00	30.65
10P	27.00	33.65
11P	30.00	36.65
12P	33.00	39.65

F	<b>A4</b>				<b>TOLERANCE</b>	<b>TITLE:</b>	<b>DRAWN:</b> ru yi 2020.03.10	<b>KONNRA</b> 东莞市康瑞电子有限公司 DongGuan Konnra Electronics Co., Ltd.	
	<b>A3</b>	Uniformly arrange the drawings	Arvin	2021.09.18	X. X ±0.30	MK3.0 DIP 90° Wafer	<b>CHECKED:</b>		
	<b>A2</b>	Change the part number and frame format	Ru yi	2020.3.10	X. XX ±0.20	With Clips Single	<b>APPROVED:</b>	PART NO. : C3000RD***14T0102*A	
	<b>MARK</b>	<b>REVISION DESCRIPTION</b>	<b>SIGNATURE</b>	<b>DATE</b>	X. XXX ±0.10	Row	<b>SHEET:</b> 1/1		
	1	2	3	4	5	6	7	8	9



**RoHS**  
COMPLIANT



**SPECIFICATIONS**

1. Current rating: 5A AC, DC
2. Voltage rating: 250V AC,DC
3. Temperature range: -40°C ~ +105°C
4. Insulation resistance: 1000MΩ Min.
5. Withstanding voltage: 1500V AC/ minute.
6. Contact resistance: 10mΩ Max.

**Material:**

Insulator: LCP UL 94V-0  
 Contact: Brass  
 Plating: Tin plated over nickel  
 Circuits: 2~12  
 Mate with KR3000 series single row housing

**Ordering Code:**

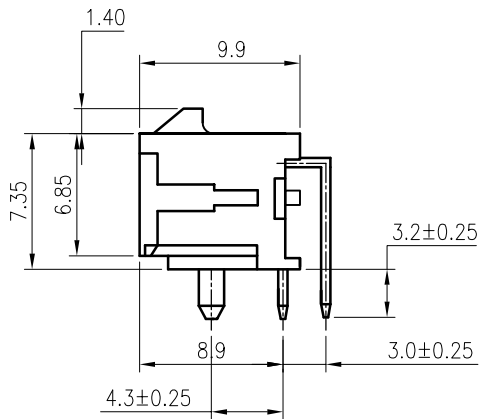
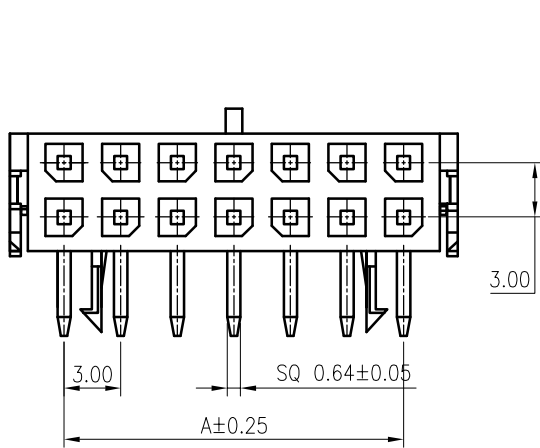
**A** C3000RD \*\*\* 14 T0103 R A

No. of Circuits: 102:2P,103:3P.....  
 Insulator Material: 14:LCP Black  
 Packing: R: Reel Tape, P: Bag

PIN NO.	DIMENSIONS	
	A	B
2P	3.00	9.65
3P	6.00	12.65
4P	9.00	15.65
5P	12.00	18.65
6P	15.00	21.65
7P	18.00	24.65
8P	21.00	27.65
9P	24.00	30.65
10P	27.00	33.65
11P	30.00	36.65
12P	33.00	39.65

F	<b>A4</b>				<b>TOLERANCE</b>	<b>TITLE:</b>	<b>DRAWN:</b> ru yi 2020.03.10	<b>KONNRA</b> 东莞市康瑞电子有限公司 DongGuan Konnra Electronics Co., Ltd.			
	<b>A3</b>	Uniformly arrange the drawings	Arvin	2021.09.18	X. X ±0.30	MK3.0 DIP 90° Wafer	<b>CHECKED:</b>				
	<b>A2</b>	Change the part number and frame format	Ru yi	2020.3.10	X. XX ±0.20	With Short Clips	<b>APPROVED:</b>	PART NO. : C3000RD***14T0103*A			
	<b>MARK</b>	<b>REVISION DESCRIPTION</b>	<b>SIGNATURE</b>	<b>DATE</b>	X. XXX ±0.10	Single Row	<b>UNIT:</b> mm	<b>SCALE:</b> N/A	<b>SHEET:</b> 1/1	<b>PROJECTION</b>	<b>REV. :</b> A3
	1	2	3	4	5	6	7	8	9		

**RoHS**  
COMPLIANT



**SPECIFICATIONS**

1. Current rating: 5A AC, DC
2. Voltage rating: 250V AC,DC
3. Temperature range: -40°C ~ +105°C
4. Insulation resistance: 1000MΩ Min.
5. Withstanding voltage: 1500V AC/ minute.
6. Contact resistance: 10mΩ Max.

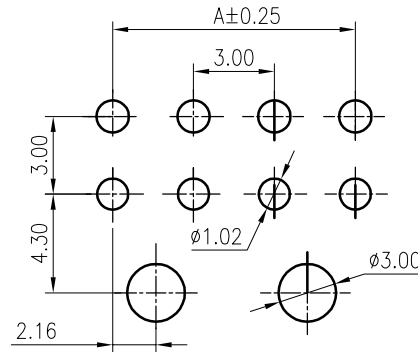
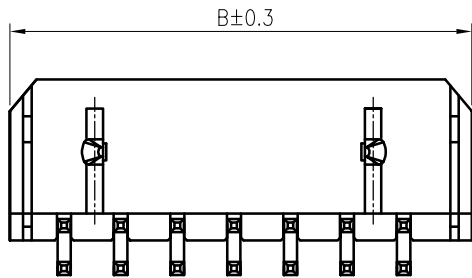
**Material:**

Insulator: PA46 UL 94V-0  
 Contact: Brass  
 Plating: Tin plated or gold flash over nickel  
 Circuits: 2\*1~2\*12  
 Mate with KR3000 series dual row housing

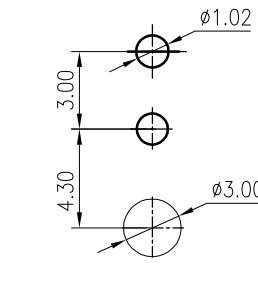
**Ordering Code:**

**△A** C3000RD \*\*\* \*\* T01 01 R A

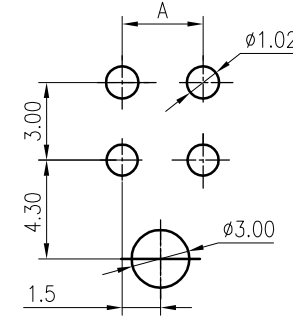
No. of Circuits: 202:2x1P, 202:2x2P.....  
 Insulator Material: 08:PA46 Black  
 Packing: R: Reel Tape, P: Bag, B: Box  
 T01: Tin plated, G01: Gold flash



**2\*4P~2\*12P P.C.B Layout**



**2\*1P P.C.B Layout**

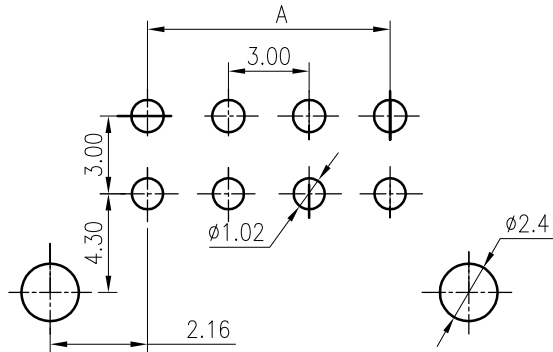
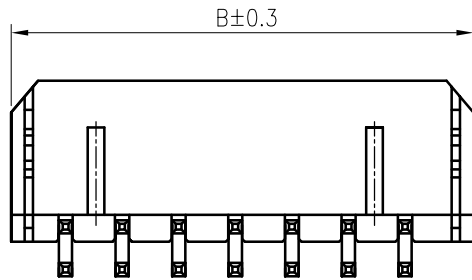
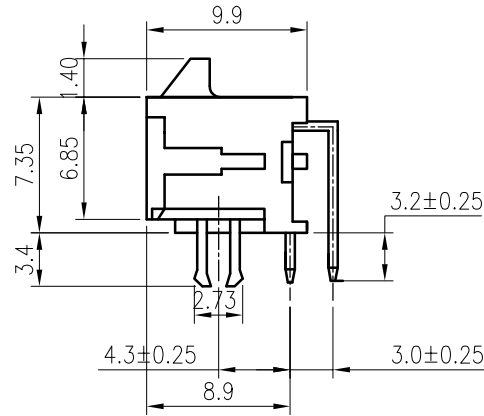
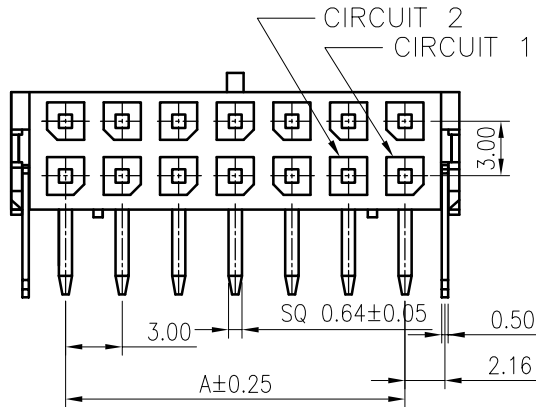


**2\*2P~2\*3P P.C.B Layout**

PIN NO.	DIMENSIONS	
	A	B
2*1P	--	6.65
2*2P	3.00	9.65
2*3P	6.00	12.65
2*4P	9.00	15.65
2*5P	12.00	18.65
2*6P	15.00	21.65
2*7P	18.00	24.65
2*8P	21.00	27.65
2*9P	24.00	30.65
2*10P	27.00	33.65
2*11P	30.00	36.65
2*12P	33.00	39.65

MARK	REVISION	DESCRIPTION	SIGNATURE	DATE	TOLERANCE	TITLE:	DRAWN:	KONNRA 东莞市康瑞电子有限公司 DongGuan Konnra Electronics Co., Ltd.		
△A4					X. X ±0.30	MK3.0 DIP 90° Wafer Dual Row	ru yi 2020.03.10	PART NO.: C3000RD2**08***01*A		
△A3	1	Uniformly arrange the drawings	Arvin	2021.09.24	X. XX ±0.20		CHECKED:			
△A2	2	Change the part number and frame format	Ru yi	2020.3.10	X. XXX ±0.10		APPROVED:			
					Angle ±2°	UNIT: mm SCALE: N/A	SHEET: 1/1	PROJECTION	REV.: A3	DRAWING NO.: 3000WRD201-A-S

RoHS  
COMPLIANT



**Recommended P.C.B. Layout**  
Total tolerance:±0.05mm

**SPECIFICATIONS**

1. Current rating: 5A AC, DC
2. Voltage rating: 250V AC,DC
3. Temperature range: -40°C ~ +105°C
4. Insulation resistance: 1000MΩ Min.
5. Withstanding voltage: 1500V AC/ minute.
6. Contact resistance: 10mΩ Max.

**Material:**

Insulator: LCP UL 94V-0  
 Contact: Brass/Tin plated over nickel  
 Clips: Brass/Matte-tin plated over nickel  
 Circuits: 2\*1~2\*12  
 Mate with KR3000 series dual row housing

**Ordering Code:**

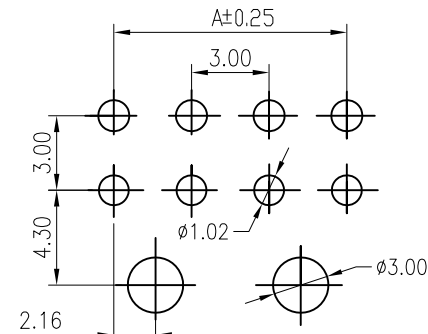
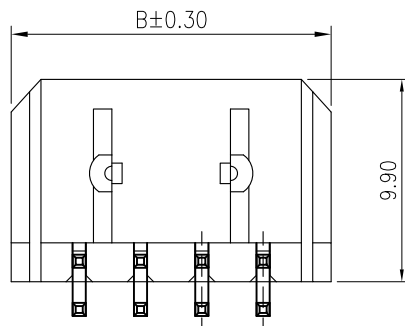
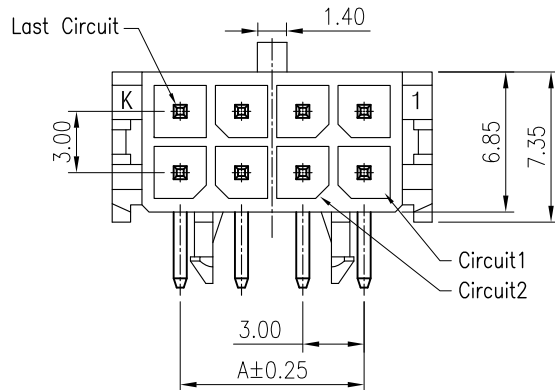
**AA** C3000RD \*\*\* \*\* T0102 R A

No.of Circuits: 202:2x1P, 202:2x2P.....  
 Insulator Material: 14:LCP Black  
 Packing: R: Reel Tape, P: Bag

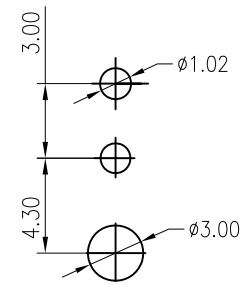
PIN NO.	DIMENSIONS	
	A	B
2*1P	--	6.65
2*2P	3.00	9.65
2*3P	6.00	12.65
2*4P	9.00	15.65
2*5P	12.00	18.65
2*6P	15.00	21.65
2*7P	18.00	24.65
2*8P	21.00	27.65
2*9P	24.00	30.65
2*10P	27.00	33.65
2*11P	30.00	36.65
2*12P	33.00	39.65

MARK	REVISION	DESCRIPTION	SIGNATURE	DATE	TOLERANCE	TITLE:	DRAWN:	KONNRA 东莞市康瑞电子有限公司 DongGuan Konnra Electronics Co., Ltd.		
A4					X.X ±0.30	MK3.0 DIP 90° Wafer With Clips Dual Row	ru yi 2020.03.10	PART NO. : C3000RD2**14T0102*A		
A3	Uniformly arrange the drawings	Arvin	2021.09.24	X.XX ±0.20	CHECKED:					
A2	Change the part number and frame format	Ru yi	2020.3.10	X.XXX ±0.10	APPROVED:					
				Angle ±2°	UNIT: mm	SCALE: N/A	SHEET: 1/1	PROJECTION	REV. : A3	DRAWING NO. : 3000WRD202-A-S

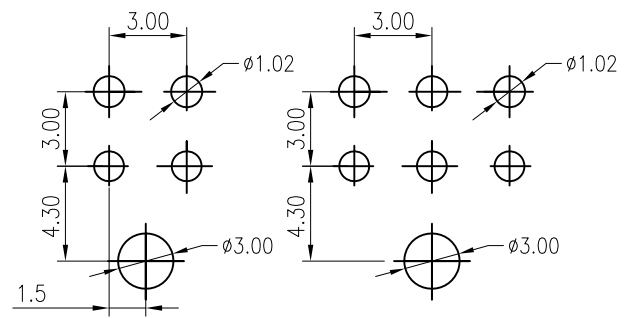
**RoHS**  
COMPLIANT



**2\*4P~2\*12P P.C.B LAYOUT**

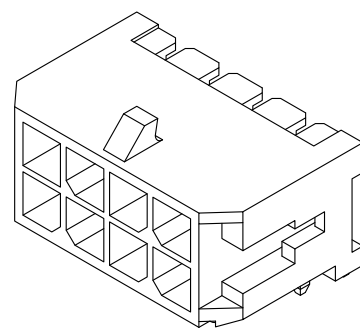
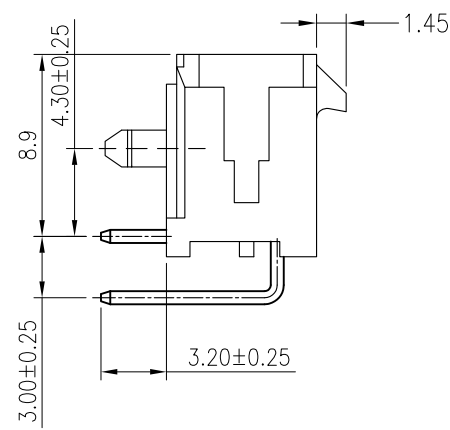


**2\*1P P.C.B LAYOUT**



**2\*2P P.C.B LAYOUT**

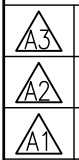
**2\*3P P.C.B LAYOUT**



Ordering code:  
C3000RD \*\*\* 08 T01 01 P B  
201: 2X1P  
212: 2X12P  
P: Bag  
B: Box  
08: PA46 Black  
12: PA9T Black  
T01: Tin plated  
G01: Gold flash

**SPECIFICATIONS**  
1. Current rating: 5A AC, DC  
2. Voltage rating: 250V AC, DC  
3. Temperature range: -40°C ~ +105°C  
4. Insulation resistance: 1000MΩ Min.  
5. Withstanding voltage: 1500V AC/ minute.  
6. Contact resistance: 10m Ω Max.  
  
**Material:**  
Insulator: PA46 UL 94V-0  
Contact: Brass  
Plating: Tin plated or gold flash over nickel  
Circuits: 2\*1~2\*12  
Mate with KR3000 series dual row housing

PIN NO.	DIMENSIONS	
	A	B
2*1P	--	6.65
2*2P	3.00	9.65
2*3P	6.00	12.65
2*4P	9.00	15.65
2*5P	12.00	18.65
2*6P	15.00	21.65
2*7P	18.00	24.65
2*8P	21.00	27.65
2*9P	24.00	30.65
2*10P	27.00	33.65
2*11P	30.00	36.65
2*12P	33.00	39.65



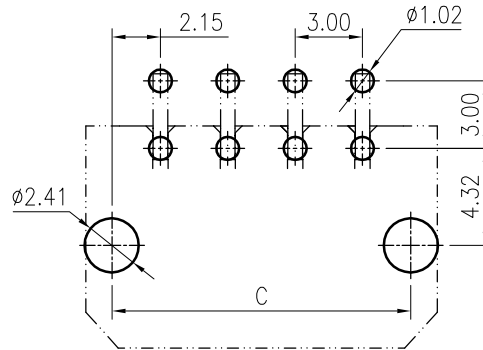
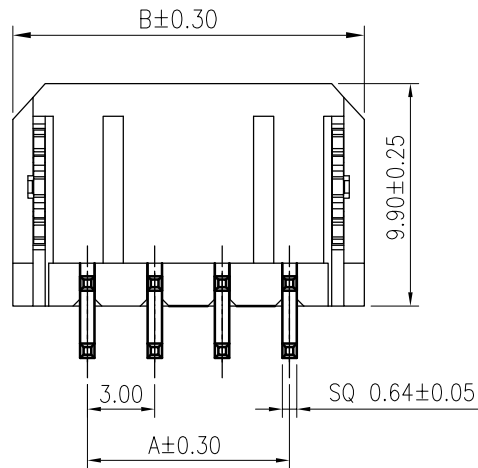
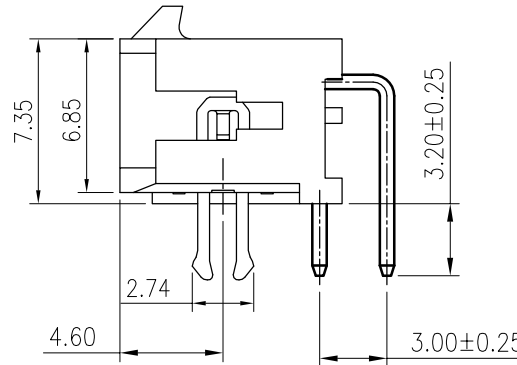
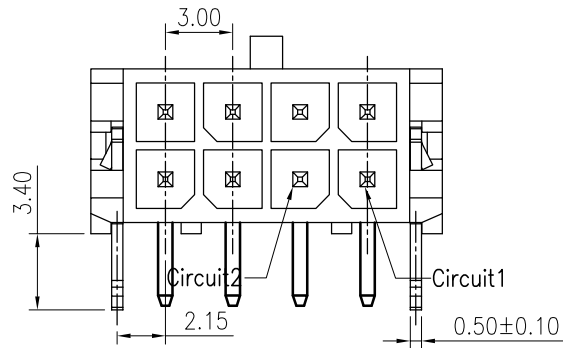
MARK	REVISION DESCRIPTION	SIGNATURE	DATE
1			
2			
3			

TOLERANCE	TITLE:
X.X ±0.30	MX3.0 DIP 90° Wafer
X.XX ±0.20	B Type double row
X.XXX ±0.10	
Angle ±2°	

DRAWN: ru qi 2020.03.10	KONNRA 东莞市康瑞电子有限公司 DongGuan Konnra Electronics Co.,Ltd.
CHECKED:	
APPROVED:	
SHEET: 1/1	PART NO.: C3000RD2****T0101*B
UNIT:mm	SCALE:N/A
PROJECTION	REV.: A2
	DRAWING NO.: 3000WRD201-B-S

REV.: A2	DRAWING NO.: 3000WRD201-B-S
----------	-----------------------------

RoHS  
COMPLIANT



**Recommended P.C.B. Layout**  
Total tolerance:±0.05mm

**SPECIFICATIONS**

1. Current rating: 5A AC, DC
2. Voltage rating: 250V AC,DC
3. Temperature range: -40°C ~ +105°C
4. Insulation resistance: 1000MΩ Min.
5. Withstanding voltage: 1500V AC/ minute.
6. Contact resistance: 10m Ω Max.

**Material:**

Insulator: LCP UL 94V-0  
Contact: Brass/Tin plated over nickel  
Clips: Brass/Matte-tin plated over nickel  
Circuits: 2\*1~2\*12  
Mate with KR3000 series dual row housing

**Ordering Code:**

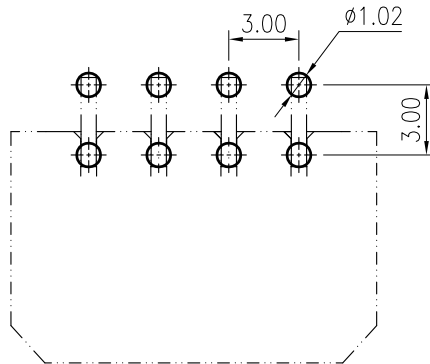
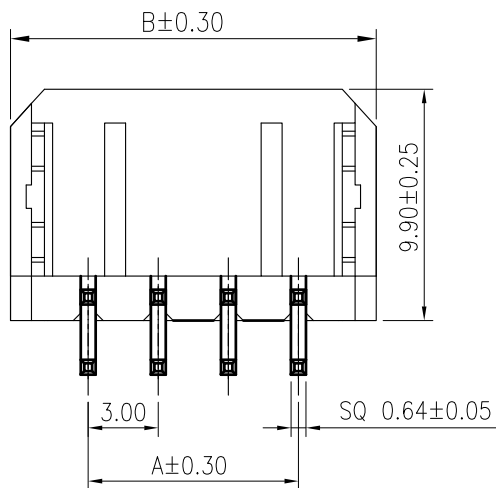
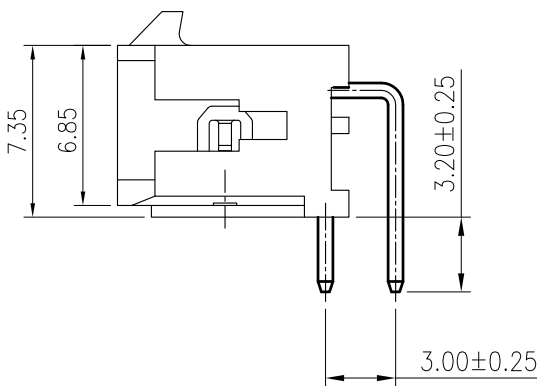
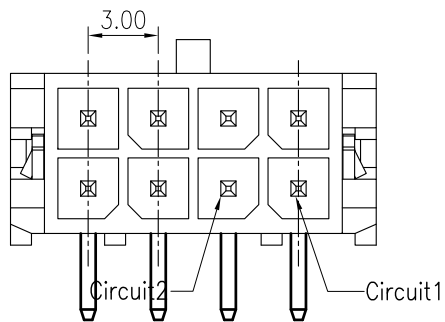
**△△ C3000RD 2\*\* 14T0102 \* B**

No. of Circuits	Packing
201:2x1P,	R: Reel Tape
2x2:2x2P.....	P: Bag
Insulator Material	B: Box
14:LCP Black	

Circuits	DIMENSIONS		
	A	B	C
2*1	--	6.65	4.30
2*2	3.00	9.65	7.30
2*3	6.00	12.65	10.30
2*4	9.00	15.65	13.30
2*5	12.00	18.65	16.30
2*6	15.00	21.65	19.30
2*7	18.00	24.65	22.30
2*8	21.00	27.65	25.30
2*9	24.00	30.65	28.30
2*10	27.00	33.65	31.30
2*11	30.00	36.65	34.30
2*12	33.00	39.65	37.30

F	△4				TOLERANCE	TITLE:	DRAWN: Arvin 2019.01.15	KONNRA 东莞市康瑞电子有限公司 DongGuan Konnra Electronics Co., Ltd.	
	△3	Uniformly arrange the drawings	Arvin	2021.09.26	X. X ±0.30	MK3.0 DIP 90°	CHECKED:		
	△2	Correct view	Arvin	2021.02.02	X. XX ±0.20	Wafer With Clips B	APPROVED:	PART NO. : C3000RD2**14T0102*B	
	MARK	REVISION DESCRIPTION	SIGNATURE	DATE	X. XXX ±0.10	Type Dual Row	SHEET: 1/1	PROJECTION	REV. : A3
	1	2	3	4	5	6	7	8	9

**RoHS**  
COMPLIANT



**Recommended P.C.B. Layout**  
Total tolerance:±0.05mm

**SPECIFICATIONS**

1. Current rating: 5A AC, DC
2. Voltage rating: 250V AC,DC
3. Temperature range: -40°C ~ +105°C
4. Insulation resistance: 1000MΩ Min.
5. Withstanding voltage: 1500V AC/ minute.
6. Contact resistance: 10mΩ Max.

**Material:**

Insulator: LCP UL 94V-0  
Contact: Brass/Tin plated over nickel  
Circuits: 2\*1~2\*12  
Mate with KR3000 series dual row housing

**Ordering Code:**

**△△ C3000RD 2\*\* 14T0104 \* B**

No.of Circuits: 201:2x1P, 2x2:2x2P.....  
Insulator Material: 14:LCP Black

Packing: R: Reel Tape, P: Bag, B: Box

PIN NO.	DIMENSIONS		PIN NO.	DIMENSIONS	
	A	B		A	B
2*1P	--	6.65	2*7P	18.00	24.65
2*2P	3.00	9.65	2*8P	21.00	27.65
2*3P	6.00	12.65	2*9P	24.00	30.65
2*4P	9.00	15.65	2*10P	27.00	33.65
2*5P	12.00	18.65	2*11P	30.00	36.65
2*6P	15.00	21.65	2*12P	33.00	39.65

MARK	REVISION DESCRIPTION	SIGNATURE	DATE
△4			
△3	Uniformly arrange the drawings	Arvin	2021.09.26
△2	Correct view	Arvin	2021.02.02

TOLERANCE		TITLE:		DRAWN: <i>Arvin 2019.01.15</i>	
X.X	±0.30	MX3.0 DIP 90° Wafer Without Pillar B Type Dual Row		CHECKED:	
X.XX	±0.20				
X.XXX	±0.10				
Angle	±2°	UNIT:mm	SCALE:N/A	SHEET:1/1	PROJECTION:

<b>KONNRA</b> 东莞市康瑞电子有限公司	
DongGuan Konnra Electronics Co.,Ltd.	
PART NO.:C3000RD2**14T0104*B	
REV.:A3	DRAWING NO.:3000WRD204-B-S

**RoHS**  
COMPLIANT

**SPECIFICATIONS**

1. Current rating: 5A AC, DC
2. Voltage rating: 250V AC,DC
3. Temperature range: -40°C ~ +105°C
4. Insulation resistance: 1000MΩ Min.
5. Withstanding voltage: 1500V AC/ minute.
6. Contact resistance: 10mΩ Max.

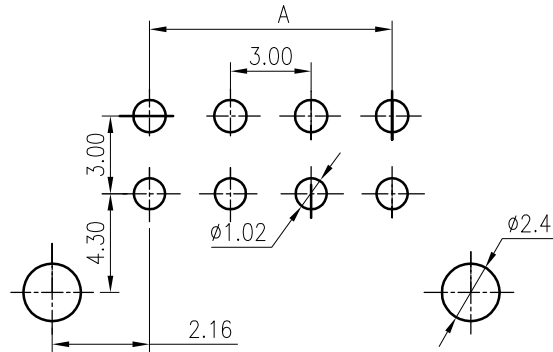
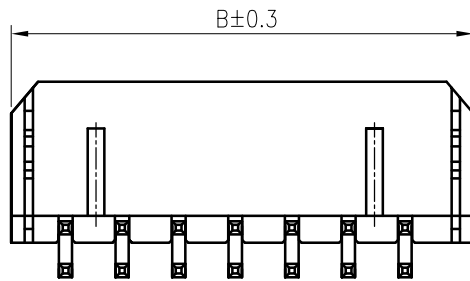
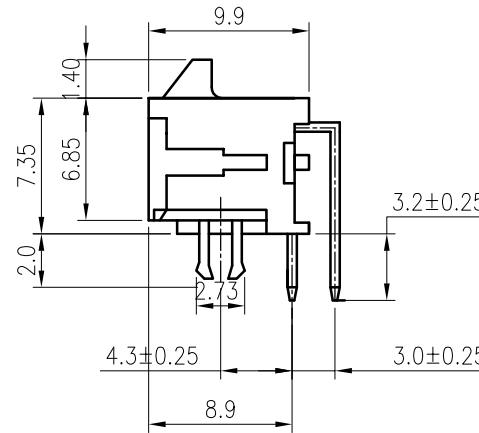
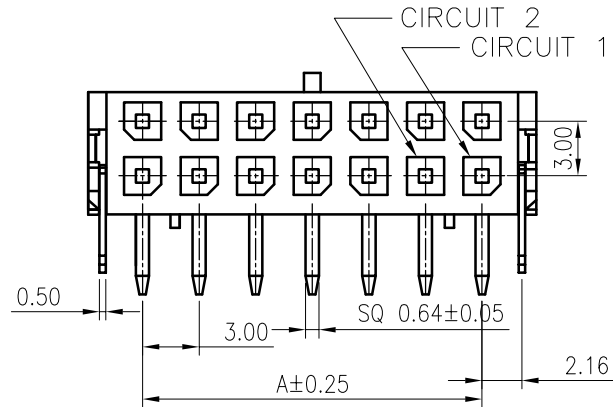
**Material:**

Insulator: LCP UL 94V-0  
 Contact: Brass/Tin plated over nickel  
 Clips: Brass/Matte-tin plated over nickel  
 Circuits: 2\*1~2\*12  
 Mate with KR3000 series dual row housing

**Ordering Code:**

**AA** C3000RD \*\*\* \*\* T0103 R A

No.of Circuits: 202:2x1P, 202:2x2P.....  
 Insulator Material: 14:LCP Black  
 Packing: R: Reel Tape, P: Bag

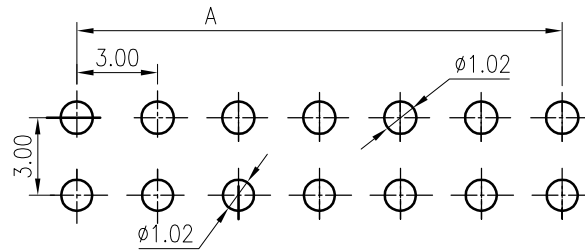
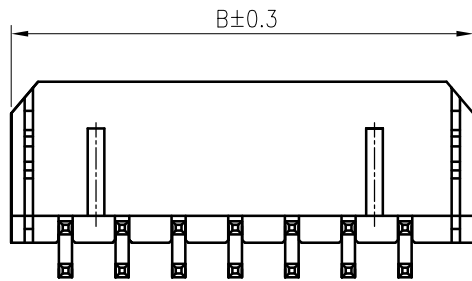
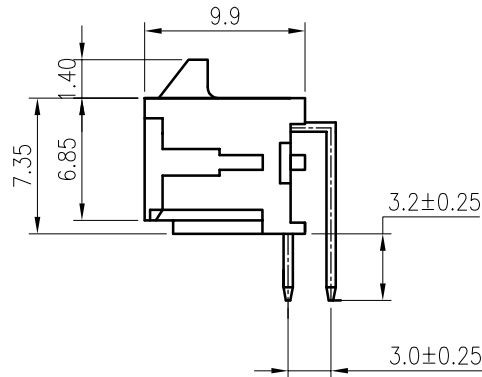
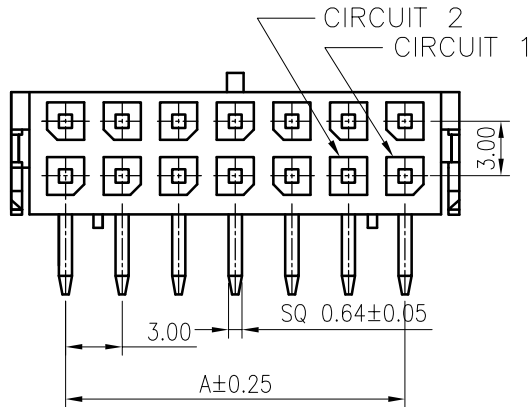


**Recommended P.C.B. Layout**  
Total tolerance:±0.05mm

PIN NO.	DIMENSIONS	
	A	B
2*1P	--	6.65
2*2P	3.00	9.65
2*3P	6.00	12.65
2*4P	9.00	15.65
2*5P	12.00	18.65
2*6P	15.00	21.65
2*7P	18.00	24.65
2*8P	21.00	27.65
2*9P	24.00	30.65
2*10P	27.00	33.65
2*11P	30.00	36.65
2*12P	33.00	39.65

MARK	REVISION	DESCRIPTION	SIGNATURE	DATE	TOLERANCE	TITLE:	DRAWN:	KONNRA 东莞市康瑞电子有限公司 DongGuan Konnra Electronics Co., Ltd.		
A4					X.X ±0.30	MK3.0 DIP 90° Wafer With Short Clips Dual Row	ru yi 2020.03.10	PART NO. : C3000RD2**14T0103*A		
A3	Uniformly arrange the drawings	Arvin	2021.09.24	X.XX ±0.20	CHECKED:					
A2	Change the part number and frame format	Ru yi	2020.3.10	X.XXX ±0.10	APPROVED:					
				Angle ±2°	UNIT: mm	SCALE: N/A	SHEET: 1/1	PROJECTION	REV. : A3	DRAWING NO. : 3000WRD203-A-S

RoHS  
COMPLIANT



**Recommended P.C.B. Layout**  
Total tolerance:±0.05mm

**SPECIFICATIONS**

1. Current rating: 5A AC, DC
2. Voltage rating: 250V AC,DC
3. Temperature range: -40°C ~ +105°C
4. Insulation resistance: 1000MΩ Min.
5. Withstanding voltage: 1500V AC/ minute.
6. Contact resistance: 10mΩ Max.

**Material:**

Insulator: LCP UL 94V-0  
Contact: Brass/Tin plated over nickel

Circuits: 2\*1~2\*12

Mate with KR3000 series dual row housing

**Ordering Code:**

**AA** C3000RD \*\*\* \*\* T0104 R A

No. of Circuits  
202:2x1P,  
202:2x2P.....  
Insulator Material  
14:LCP Black

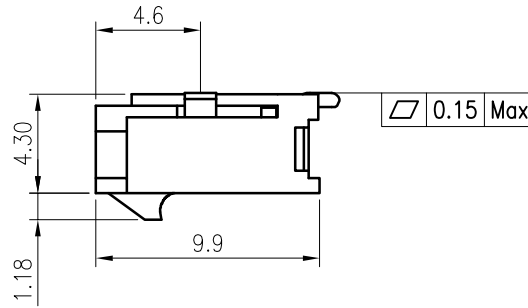
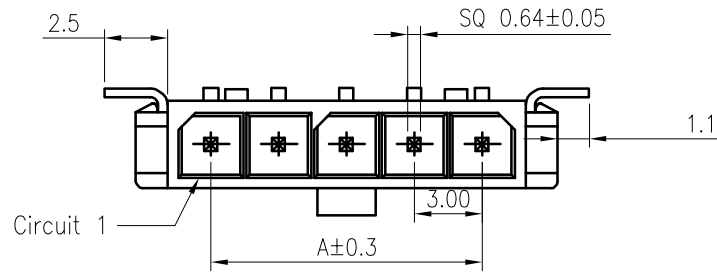
Packing  
R: Reel Tape  
P: Bag  
B: Box

PIN NO.	DIMENSIONS	
	A	B
2*1P	--	6.65
2*2P	3.00	9.65
2*3P	6.00	12.65
2*4P	9.00	15.65
2*5P	12.00	18.65
2*6P	15.00	21.65
2*7P	18.00	24.65
2*8P	21.00	27.65
2*9P	24.00	30.65
2*10P	27.00	33.65
2*11P	30.00	36.65
2*12P	33.00	39.65

F	<b>AA</b>				TOLERANCE	TITLE:	DRAWN: ru yi 2020.03.10	KONNRA 东莞市康瑞电子有限公司 DongGuan Konnra Electronics Co., Ltd.			
	<b>A3</b>	Uniformly arrange the drawings	Arvin	2021.09.24	X. X ±0.30	MK3.0 DIP 90° Wafer	CHECKED:				
	<b>A2</b>	Change the part number and frame format	Ru yi	2020.3.10	X. XX ±0.20	Without Pillar	APPROVED:	PART NO. : C3000RD2**14T0104*A			
	<b>MARK</b>	REVISION DESCRIPTION	SIGNATURE	DATE	X. XXX ±0.10	Dual Row	UNIT: mm	SCALE: N/A	SHEET: 1/1	PROJECTION	REV. : A3



**RoHS**  
COMPLIANT



**SPECIFICATIONS**

1. Current rating: 5A AC, DC
2. Voltage rating: 250V AC,DC
3. Temperature range: -40°C ~ +105°C
4. Insulation resistance: 1000MΩ Min.
5. Withstanding voltage: 1500V AC/ minute.
6. Contact resistance: 10mΩ Max.

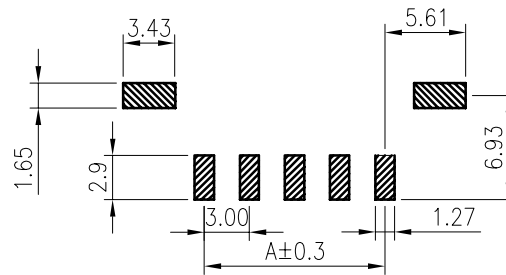
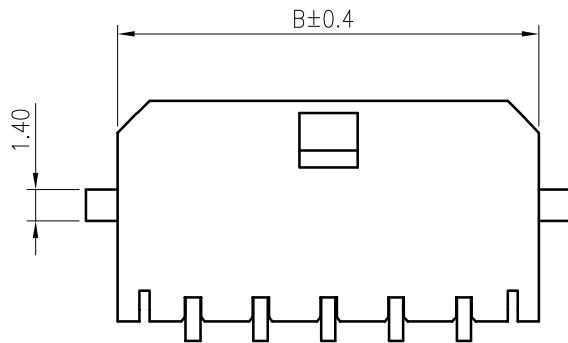
**Material:**

Insulator: LCP UL 94V-0  
 Contact: Brass  
 Plating: Tin plated over nickel  
 Circuits: 2~12  
 Mate with KR3000 series single row housing

**Ordering Code:**

**A** C3000RS \*\*\* 14M0101 R A

No. of Circuits: 102:2P, 103:3P..... Packing: R: Reel Tape, P: Bag  
 Insulator Material: 14:LCP Black



**Recommended P.C.B. Layout**  
Total tolerance:±0.05mm

PIN NO.	DIMENSIONS	
	A	B
2P	3.00	9.65
3P	6.00	12.65
4P	9.00	15.65
5P	12.00	18.65
6P	15.00	21.65
7P	18.00	24.65
8P	21.00	27.65
9P	24.00	30.65
10P	27.00	33.65
11P	30.00	36.65
12P	33.00	39.65

F	<b>A4</b>				TOLERANCE	TITLE:	DRAWN: ru yi 2020.03.10	KONNRA 东莞市康瑞电子有限公司 DongGuan Konnra Electronics Co., Ltd.			
	<b>A3</b>	Uniformly arrange the drawings	Arvin	2021.09.22	X. X ± 0.30	MK3.0 SMT 90° Wafer	CHECKED:				
	<b>A2</b>	Change the part number and frame format	Ru yi	2020.3.10	X. XX ± 0.20	With Solder Tab	APPROVED:	PART NO. : C3000RS***14M0101RA			
	<b>MARK</b>	REVISION DESCRIPTION	SIGNATURE	DATE	X. XXX ± 0.10	Single Row	UNIT: mm	SCALE: N/A	SHEET: 1/1	PROJECTION	REV. : A3
	1	2	3	4	5	6	7	8	9		

RoHS  
COMPLIANT

**SPECIFICATIONS**

1. Current rating: 5A AC, DC
2. Voltage rating: 250V AC,DC
3. Temperature range: -40°C ~ +105°C
4. Insulation resistance: 1000MΩ Min.
5. Withstanding voltage: 1500V AC/ minute.
6. Contact resistance: 10mΩ Max.

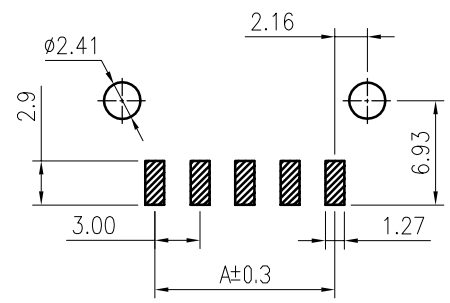
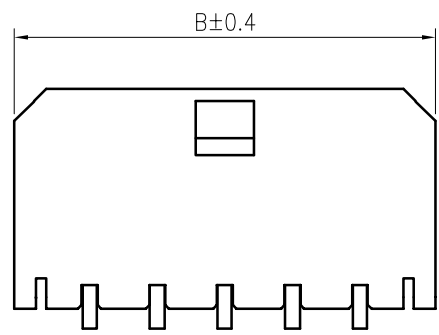
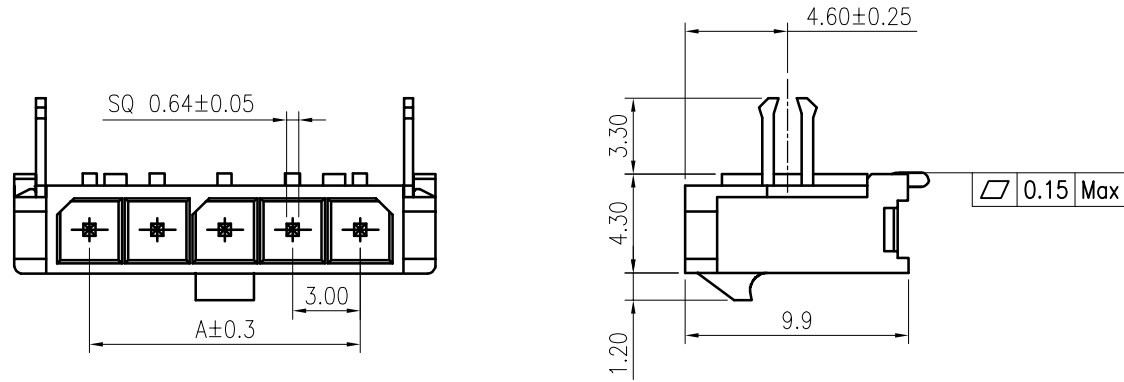
**Material:**

Insulator: LCP UL 94V-0  
 Contact: Brass  
 Plating: Tin plated over nickel  
 Circuits: 2~12  
 Suitable: KR3000 series single row Housing

**Ordering Code:**

△△ C3000RS \*\*\* \*\* M0102 R A

No. of Circuits: 102:2P, 103:3P.....  
 Insulator Material: 14:LCP Black  
 Packing: R: Reel Tape, P: Bag

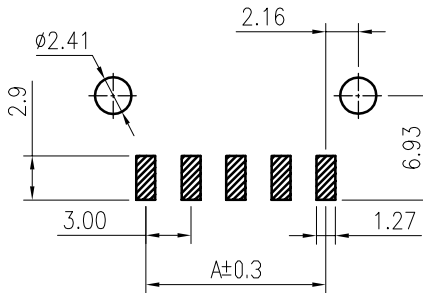
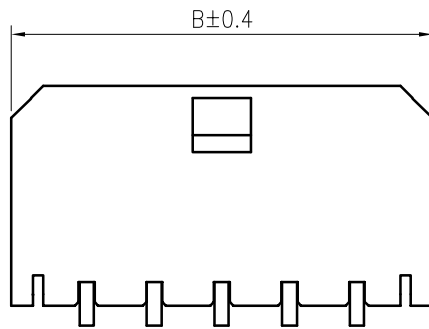
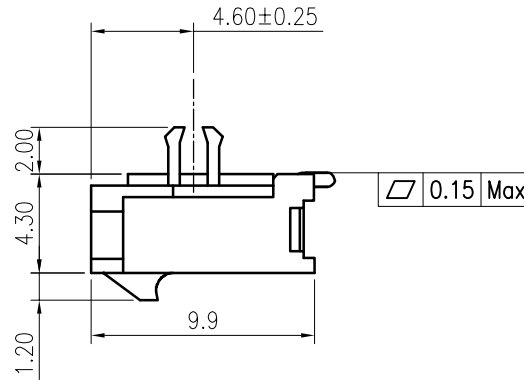
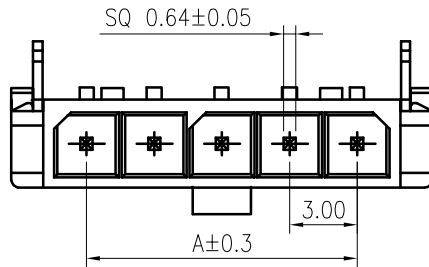


**Recommended P.C.B. Layout**  
 Total tolerance:±0.05mm

PIN NO.	DIMENSIONS	
	A	B
2P	3.00	9.65
3P	6.00	12.65
4P	9.00	15.65
5P	12.00	18.65
6P	15.00	21.65
7P	18.00	24.65
8P	21.00	27.65
9P	24.00	30.65
10P	27.00	33.65
11P	30.00	36.65
12P	33.00	39.65

F	△A4				TOLERANCE	TITLE:	DRAWN: ru yi 2020.03.10	KONNRA 东莞市康瑞电子有限公司 DongGuan Konnra Electronics Co., Ltd.		
	△A3	Uniformly arrange the drawings	Arvin	2021.09.22	X. X ±0.30	MX3.0 SMF 90° Wafer	CHECKED:			
	△A2	Change the part number and frame format	Ru yi	2020.3.10	X. XX ±0.20	With Clips Single	APPROVED:	PART NO. : C3000RS***14M0102*A		
	MARK	REVISION DESCRIPTION	SIGNATURE	DATE	X. XXX ±0.10	Row	SHEET: 1/1	PROJECTION	REV. : A3	DRAWING NO. : 3000WRS102-A-S
	1	2	3	4	5	6	7	8	9	

RoHS  
COMPLIANT



**Recommended P.C.B. Layout**  
Total tolerance:±0.05mm

**SPECIFICATIONS**

1. Current rating: 5A AC, DC
2. Voltage rating: 250V AC,DC
3. Temperature range: -40°C ~ +105°C
4. Insulation resistance: 1000MΩ Min.
5. Withstanding voltage: 1500V AC/ minute.
6. Contact resistance: 10mΩ Max.

**Material:**

Insulator: LCP UL 94V-0  
Contact: Brass  
Plating: Tin plated over nickel  
Circuits: 2~12  
Suitable: KR3000 series single row Housing

**Ordering Code:**

△△ C3000RS \*\*\* \*\* M0103 R A

No. of Circuits: 102:2P, 103:3P.....  
Insulator Material: 14:LCP Black  
Packing: R: Reel Tape, P: Bag

PIN NO.	DIMENSIONS	
	A	B
2P	3.00	9.65
3P	6.00	12.65
4P	9.00	15.65
5P	12.00	18.65
6P	15.00	21.65
7P	18.00	24.65
8P	21.00	27.65
9P	24.00	30.65
10P	27.00	33.65
11P	30.00	36.65
12P	33.00	39.65

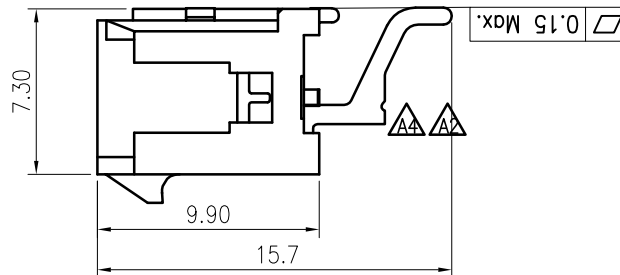
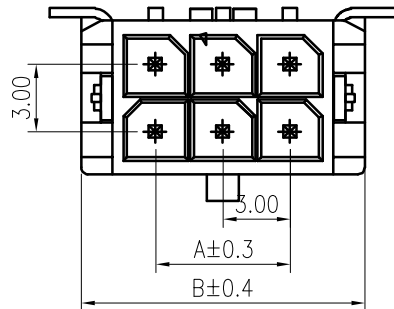
MARK	REVISION	DESCRIPTION	SIGNATURE	DATE	TOLERANCE	TITLE:	DRAWN:	CHECKED:	APPROVED:	REV. :	DRAWING NO. :	
△4					X. X ±0.30	MK3.0 SMT 90° Wafer With Short Clips Single Row	ru yi 2020.03.10			A3	3000WRS103-A-S	
△3	1	Uniformly arrange the drawings	Arvin	2021.09.22	X. XX ±0.20						A3	3000WRS103-A-S
△2	2	Change the part number and frame format	Ru yi	2020.3.10	X. XXX ±0.10						A3	3000WRS103-A-S
					Angle ±2°	UNIT: mm	SCALE: N/A	SHEET: 1/1	PROJECTION			

**KONNRA** 东莞市康瑞电子有限公司  
DongGuan Konnra Electronics Co., Ltd.

PART NO. : C3000RS\*\*\*14M0103\*A

REV. : A3 DRAWING NO. : 3000WRS103-A-S

**RoHS**  
COMPLIANT



**SPECIFICATIONS**

1. Current rating: 5A AC, DC
2. Voltage rating: 250V AC,DC
3. Temperature range: -40°C ~ +105°C
4. Insulation resistance: 1000MΩ Min.
5. Withstanding voltage: 1500V AC/ minute.
6. Contact resistance: 10mΩ Max.

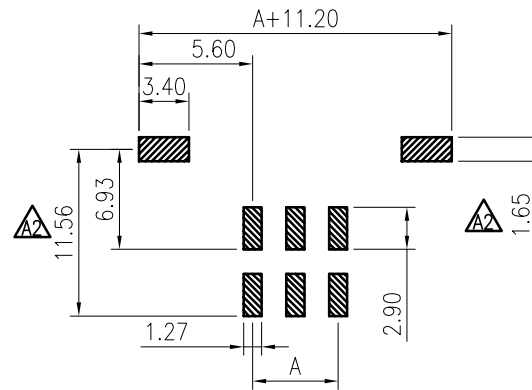
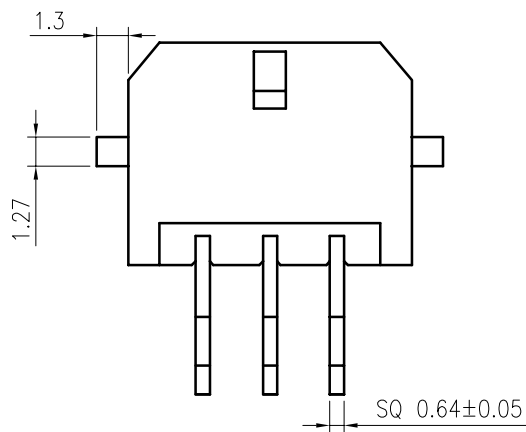
**Material:**

Insulator: LCP UL 94V-0  
 Contact: Brass/Matte-tin plated over nickel  
 Solder tab: Brass/Matte-tin plated over nickel  
 Circuits: 2\*1~2\*12  
 Mate with KR3000 series dual row housing

**Ordering Code:**

**AA** C3000RS \*\*\* 14 M0101 R A

No. of Circuits: 201:2x1P, 2x2:2x2P.....  
 Insulator Material: 14:LCP Black  
 Packing: R: Reel Tape, P: Bag

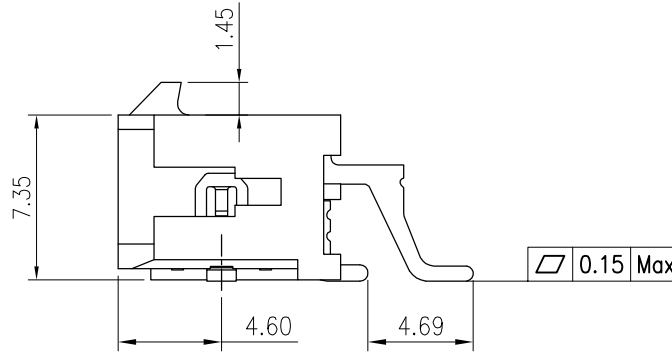
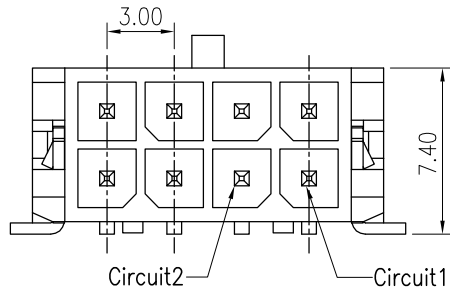


**Recommended P.C.B. Layout**  
 Total tolerance:±0.05mm

PIN NO.	DIMENSIONS		PIN NO.	DIMENSIONS	
	A	B		A	B
2*1P	--	6.65	2*7P	18.00	24.65
2*2P	3.00	9.65	2*8P	21.00	27.65
2*3P	6.00	12.65	2*9P	24.00	30.65
2*4P	9.00	15.65	2*10P	27.00	33.65
2*5P	12.00	18.65	2*11P	30.00	36.65
2*6P	15.00	21.65	2*12P	33.00	39.65

F	<b>A6</b>				TOLERANCE	TITLE:	DRAWN: ru yi 2020.03.10	KONNRA 东莞市康瑞电子有限公司 DongGuan Konnra Electronics Co., Ltd.			
	<b>A5</b>	Uniformly arrange the drawings	Arvin	2021.09.22	X. X ± 0.30	MK3.0 SMF 90° Wafer	CHECKED:				
	<b>A4</b>	Correct view	Arvin	2020.12.26	X. XX ± 0.20	With Solder Tab	APPROVED:	PART NO. : C3000RS2**14M0101RA			
MARK	REVISION DESCRIPTION	SIGNATURE	DATE	X. XXX ± 0.10	Angle ± 2°	UNIT: mm	SCALE: N/A	SHEET: 1/1	PROJECTION	REV. : A5	DRAWING NO. : 3000WRS201-A-S
1	2	3	4	5	6	7	8	9			

**RoHS**  
COMPLIANT



**SPECIFICATIONS**

1. Current rating: 5A AC, DC
2. Voltage rating: 250V AC,DC
3. Temperature range: -40°C ~ +105°C
4. Insulation resistance: 1000MΩ Min.
5. Withstanding voltage: 1500V AC/ minute.
6. Contact resistance: 10mΩ Max.

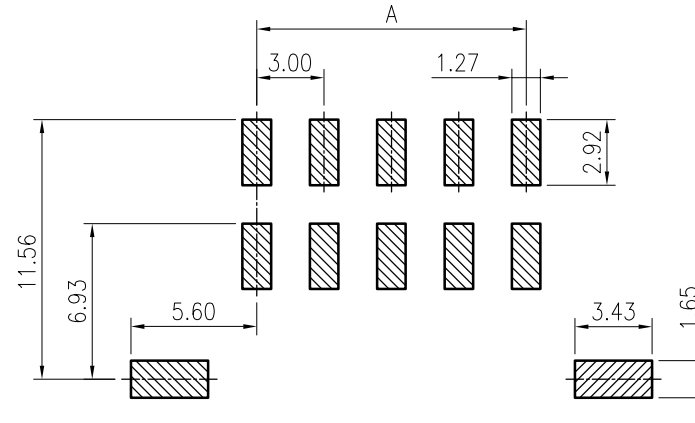
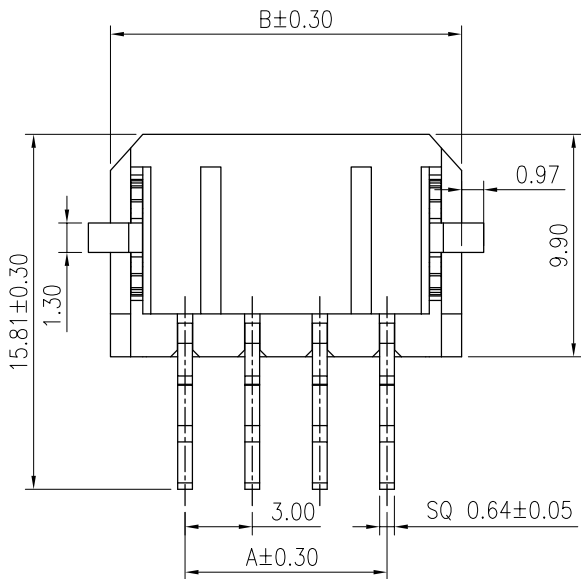
**Material:**

Insulator: LCP UL 94V-0  
 Contact: Brass/Matte-tin plated over nickel  
 Solder tab: Brass/Matte-tin plated over nickel  
 Circuits: 2\*1~2\*12  
 Mate with KR3000 series dual row housing

**Ordering Code:**

**A3** C3000RS \*\*\* 14 M0101 R B

No. of Circuits: 201:2x1P, 2x2:2x2P.....  
 Insulator Material: 14:LCP Black  
 Packing: R: Reel Tape, P: Bag



**Recommended P.C.B. Layout**  
 Total tolerance:±0.05mm

PIN NO.	DIMENSIONS		PIN NO.	DIMENSIONS	
	A	B		A	B
2*1P	--	6.65	2*7P	18.00	24.65
2*2P	3.00	9.65	2*8P	21.00	27.65
2*3P	6.00	12.65	2*9P	24.00	30.65
2*4P	9.00	15.65	2*10P	27.00	33.65
2*5P	12.00	18.65	2*11P	30.00	36.65
2*6P	15.00	21.65	2*12P	33.00	39.65

MARK	REVISION	DESCRIPTION	SIGNATURE	DATE	TOLERANCE	TITLE:	DRAWN:	CHECKED:	APPROVED:	REV. :	DRAWING NO. :	
A4					X. X ±0.30	MK3.0 SMT 90° Wafer With Solder Tab B Type Dual Row	TLX 2020.03.09			A3	3000WRS201-B-S	
A3	1	Uniformly arrange the drawings	Arvin	2021.09.26	X. XX ±0.20							
A2	2	Change the part number and frame format	TLX	2020.03.09	X. XXX ±0.10							
	1				Angle ±2°	UNIT: mm	SCALE: N/A	SHEET: 1/1	PROJECTION			

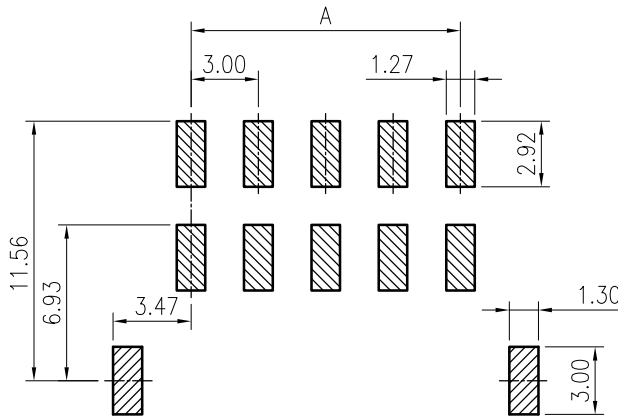
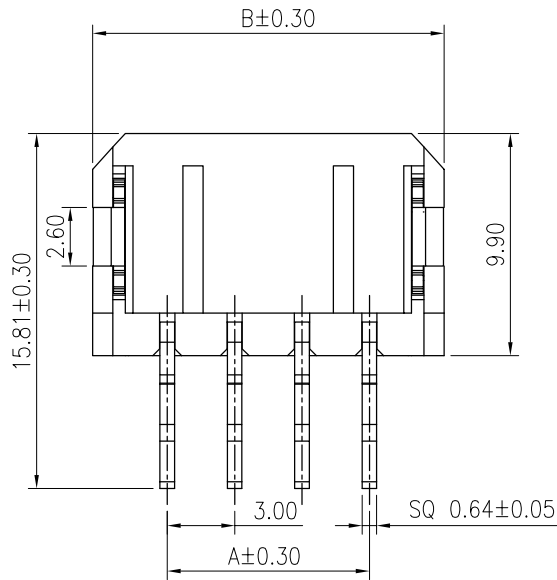
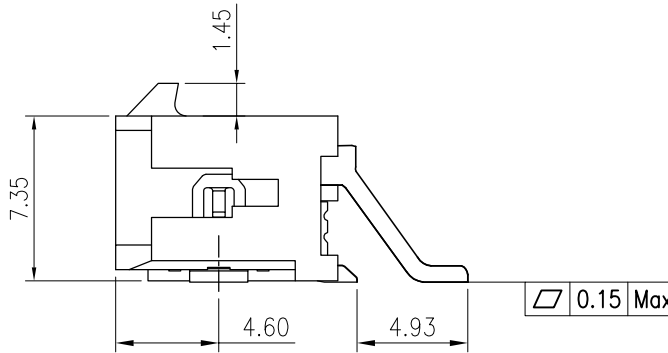
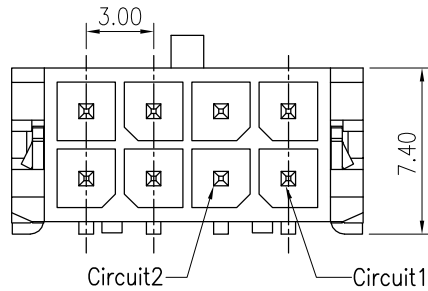
**KONNRA** 东莞市康瑞电子有限公司

DongGuan Konnra Electronics Co., Ltd.

PART NO. : C3000RS2\*\*14M0101RB

REV. : A3 DRAWING NO. : 3000WRS201-B-S

**RoHS**  
COMPLIANT



**Recommended P.C.B. Layout**  
Total tolerance:±0.05mm

**SPECIFICATIONS**

1. Current rating: 5A AC, DC
2. Voltage rating: 250V AC,DC
3. Temperature range: -40°C ~ +105°C
4. Insulation resistance: 1000MΩ Min.
5. Withstanding voltage: 1500V AC/ minute.
6. Contact resistance: 10mΩ Max.

**Material:**

Insulator: LCP UL 94V-0  
Contact: Brass/Matte-tin plated over nickel  
Solder tab: Brass/Matte-tin plated over nickel  
Circuits: 2\*1~2\*12  
Mate with KR3000 series dual row housing

**Ordering Code:**

**A3** C3000RS \*\*\* 14 M0101 R C

No. of Circuits: 201:2x1P, 2x2:2x2P.....  
Insulator Material: 14:LCP Black  
Packing: R: Reel Tape, P: Bag

PIN NO.	DIMENSIONS		PIN NO.	DIMENSIONS	
	A	B		A	B
2*1P	--	6.65	2*7P	18.00	24.65
2*2P	3.00	9.65	2*8P	21.00	27.65
2*3P	6.00	12.65	2*9P	24.00	30.65
2*4P	9.00	15.65	2*10P	27.00	33.65
2*5P	12.00	18.65	2*11P	30.00	36.65
2*6P	15.00	21.65	2*12P	33.00	39.65

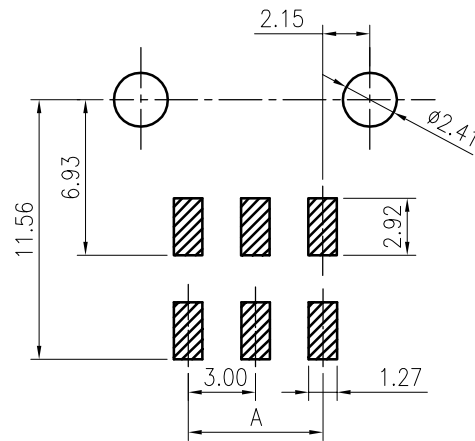
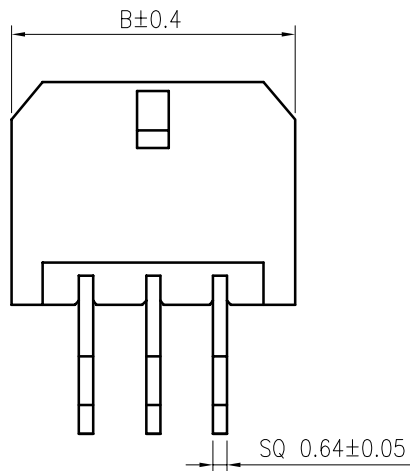
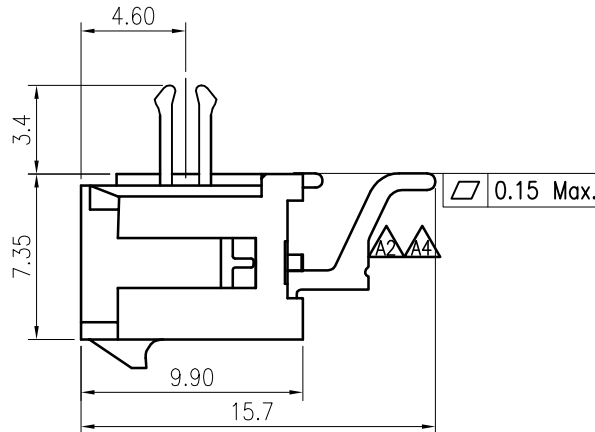
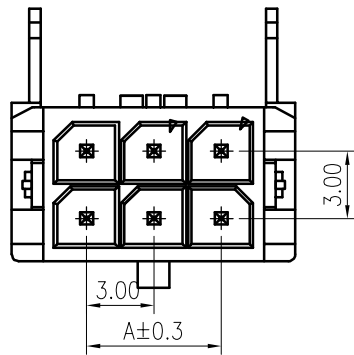
MARK	REVISION	DESCRIPTION	SIGNATURE	DATE	TOLERANCE	TITLE:	DRAWN:	CHECKED:	APPROVED:	REV. :	DRAWING NO. :	
A4					X. X ±0.30	MK3.0 SMT 90° Wafer With Solder Tab C Type Dual Row	TLX 2020.03.09			A3	3000WRS201-C-S	
A3	1	Uniformly arrange the drawings	Arvin	2021.09.26	X. XX ±0.20							
A2	2	Change the part number and frame format	TLX	2020.03.09	X. XXX ±0.10							
	1				Angle ±2°	UNIT: mm	SCALE: N/A	SHEET: 1/1	PROJECTION			

**KONNRA** 东莞市康瑞电子有限公司  
DongGuan Konnra Electronics Co., Ltd.

PART NO. : C3000RS2\*\*14M0101RC

REV. : A3 DRAWING NO. : 3000WRS201-C-S

RoHS  
COMPLIANT



**Recommended P.C.B. Layout**  
Total tolerance:±0.05mm

**SPECIFICATIONS**

1. Current rating: 5A AC, DC
2. Voltage rating: 250V AC,DC
3. Temperature range: -40°C ~ +105°C
4. Insulation resistance: 1000MΩ Min.
5. Withstanding voltage: 1500V AC/ minute.
6. Contact resistance: 10mΩ Max.

**Material:**

Insulator: LCP UL 94V-0  
Contact: Brass/Matte-tin plated over nickel  
Clips: Brass/Matte-tin plated over nickel  
Circuits: 2\*1~2\*12  
Mate with KR3000 series dual row housing

**Ordering Code:**

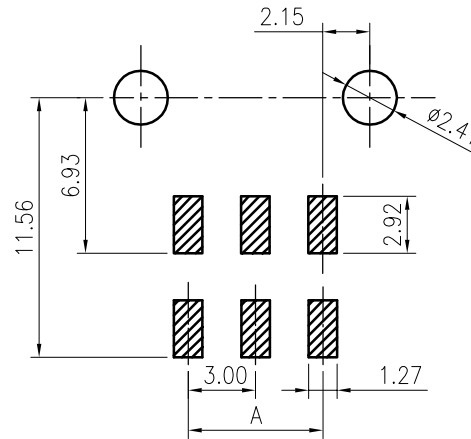
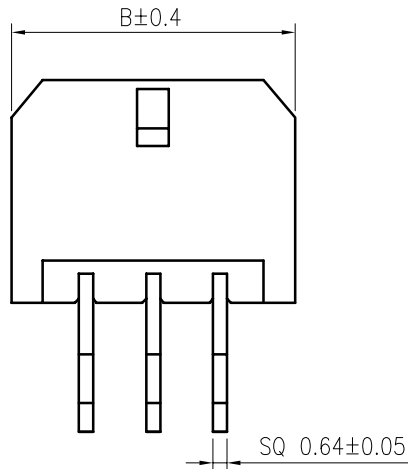
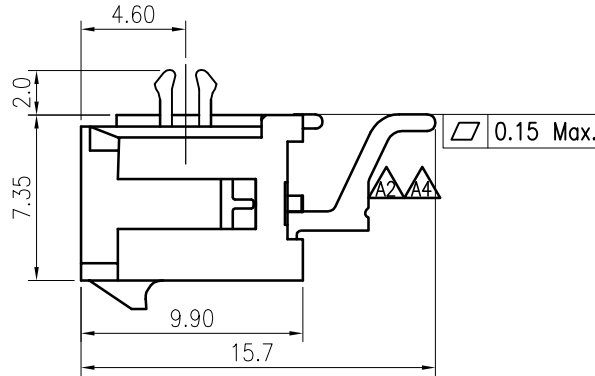
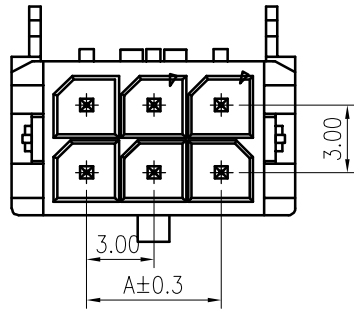
**AA** C3000RS \*\*\* 14 M0102 R A

No.of Circuits ———— Packing  
201:2x1P, ———— R: Reel Tape  
2x2:2x2P..... ———— P: Bag  
Insulator Material ————  
14:LCP Black

PIN NO.	DIMENSIONS		PIN NO.	DIMENSIONS	
	A	B		A	B
2*1P	--	6.65	2*7P	18.00	24.65
2*2P	3.00	9.65	2*8P	21.00	27.65
2*3P	6.00	12.65	2*9P	24.00	30.65
2*4P	9.00	15.65	2*10P	27.00	33.65
2*5P	12.00	18.65	2*11P	30.00	36.65
2*6P	15.00	21.65	2*12P	33.00	39.65

F	<b>A6</b>				TOLERANCE	TITLE:	DRAWN: ru yi 2020.03.10	KONNRA 东莞市康瑞电子有限公司 DongGuan Konnra Electronics Co., Ltd.			
	<b>A5</b>	Uniformly arrange the drawings	Arvin	2021.09.26	X. X ±0.30	MK3.0 SMF 90°	CHECKED:				
	<b>A4</b>	Correct view	Arvin	2020.12.26	X. XX ±0.20	Wafer With Clips	APPROVED:	PART NO. : C3000RS2**14M0102RA			
MARK	REVISION DESCRIPTION	SIGNATURE	DATE	X. XXX ±0.10	Angle ±2°	UNIT: mm	SCALE: N/A	SHEET: 1/1	PROJECTION	REV. : A5	DRAWING NO. : 3000WRS202-A-S
1	2	3	4	5	6	7	8	9			

RoHS  
COMPLIANT



**Recommended P.C.B. Layout**  
Total tolerance:±0.05mm

**SPECIFICATIONS**

1. Current rating: 5A AC, DC
2. Voltage rating: 250V AC,DC
3. Temperature range: -40°C ~ +105°C
4. Insulation resistance: 1000MΩ Min.
5. Withstanding voltage: 1500V AC/ minute.
6. Contact resistance: 10mΩ Max.

**Material:**

Insulator: LCP UL 94V-0  
Contact: Brass/Matte-tin plated over nickel  
Clips: Brass/Matte-tin plated over nickel  
Circuits: 2\*1~2\*12  
Mate with KR3000 series dual row housing

**Ordering Code:**

**AA** C3000RS \*\*\* 14 M0103 R A

No.of Circuits ———— Packing  
201:2x1P, ———— R: Reel Tape  
2x2:2x2P..... ———— P: Bag  
Insulator Material ————  
14:LCP Black

PIN NO.	DIMENSIONS		PIN NO.	DIMENSIONS	
	A	B		A	B
2*1P	--	6.65	2*7P	18.00	24.65
2*2P	3.00	9.65	2*8P	21.00	27.65
2*3P	6.00	12.65	2*9P	24.00	30.65
2*4P	9.00	15.65	2*10P	27.00	33.65
2*5P	12.00	18.65	2*11P	30.00	36.65
2*6P	15.00	21.65	2*12P	33.00	39.65

F	<b>A6</b>				TOLERANCE	TITLE:	DRAWN: ru yi 2020.03.10	KONNRA 东莞市康瑞电子有限公司 DongGuan Konnra Electronics Co., Ltd.			
	<b>A5</b>	Uniformly arrange the drawings	Arvin	2021.09.26	X. X ±0.30	MK3.0 SMF 90°	CHECKED:				
	<b>A4</b>	Correct view	Arvin	2020.12.26	X. XX ±0.20	Wafer With Short	APPROVED:	PART NO. : C3000RS2**14M0103RA			
MARK	REVISION DESCRIPTION	SIGNATURE	DATE	X. XXX ±0.10	Angle ±2°	UNIT: mm	SCALE: N/A	SHEET: 1/1	PROJECTION	REV. : A5	DRAWING NO. : 3000WRS203-A-S
1	2	3	4	5	6	7	8	9			



RoHS  
COMPLIANT

**SPECIFICATIONS**

1. Current rating: 5A AC, DC
2. Voltage rating: 250V AC,DC
3. Temperature range: -40°C ~ +105°C
4. Insulation resistance: 1000MΩ Min.
5. Withstanding voltage: 1500V AC/ minute.
6. Contact resistance: 10mΩ Max.

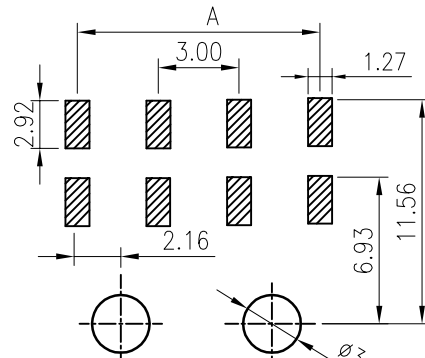
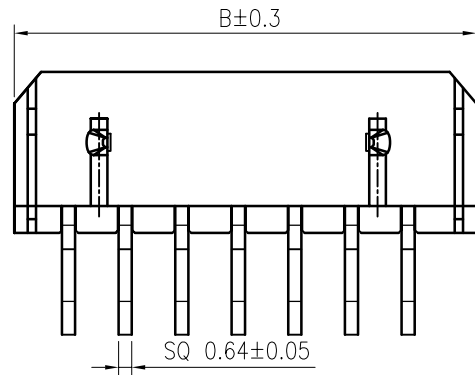
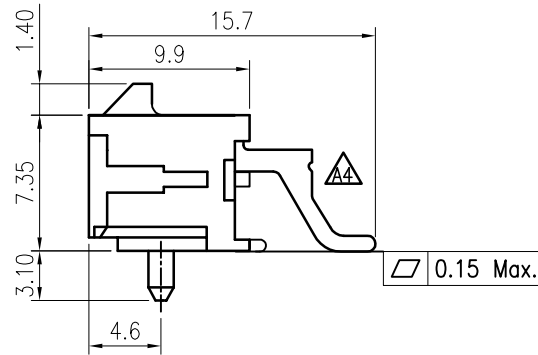
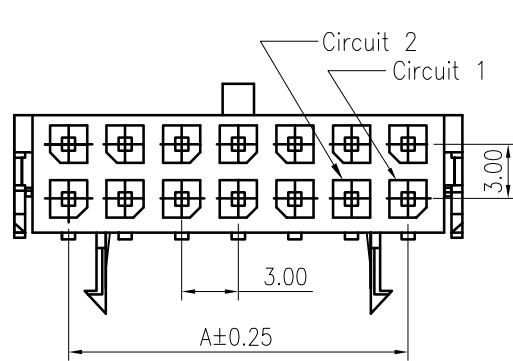
Material:

Insulator: PA46 UL 94V-0  
 Contact: Brass/Matte-tin plated over nickel  
 Circuits: 2\*1~2\*12  
 Mate with KR3000 series dual row housing

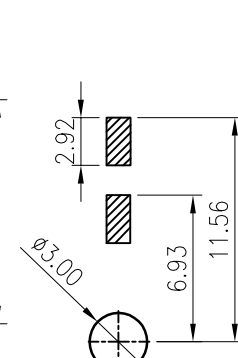
Ordering Code:

C3000RS \*\*\* 14 M0104 R A

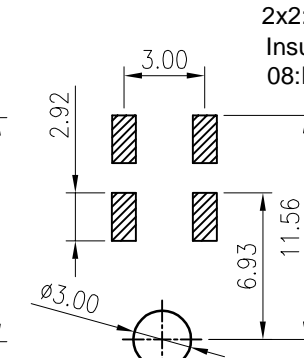
No. of Circuits ———— Packing  
 201:2x1P, R: Reel Tape  
 2x2:2x2P..... P: Bag  
 Insulator Material  
 08:PA46 Black



**2\*4P-2\*12P P.C.B Layout**  
 Total tolerance:±0.05mm



**2\*1P P.C.B Layout**  
 Total tolerance:±0.05mm

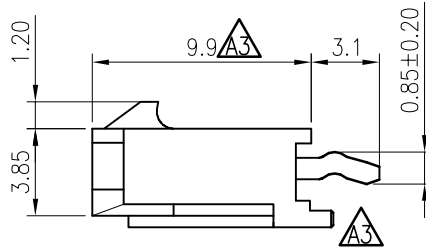
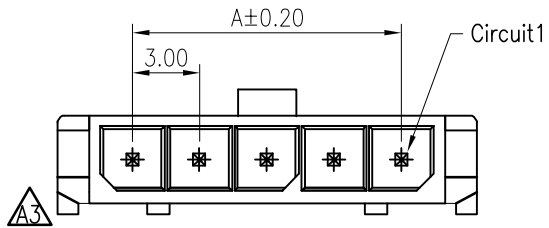


**2\*2P-2\*3P P.C.B Layout**  
 Total tolerance:±0.05mm

PIN NO.	DIMENSIONS		PIN NO.	DIMENSIONS	
	A	B		A	B
2*1P	--	6.65	2*7P	18.00	24.65
2*2P	3.00	9.65	2*8P	21.00	27.65
2*3P	6.00	12.65	2*9P	24.00	30.65
2*4P	9.00	15.65	2*10P	27.00	33.65
2*5P	12.00	18.65	2*11P	30.00	36.65
2*6P	15.00	21.65	2*12P	33.00	39.65

F					TOLERANCE	TITLE:	DRAWN: ru yi 2020.03.10	KONNRA 东莞市康瑞电子有限公司 DongGuan Konnra Electronics Co., Ltd.	
		Uniformly arrange the drawings	Arvin	2021.09.26	X. X ±0.30	MK3.0 SMF 90°	CHECKED:		
		Correct view	Arvin	2020.12.26	X. XX ±0.20	Wafer With Pillar	APPROVED:	PART NO. : C3000RS2**14M0104RA	
	MARK	REVISION DESCRIPTION	SIGNATURE	DATE	X. XXX ±0.10	Dual Row	SHEET: 1/1	PROJECTION	REV. : A5
	1	2	3	4	5	6	7	8	9

RoHS  
COMPLIANT



**SPECIFICATIONS**

1. Current rating: 5A AC, DC
2. Voltage rating: 250V AC, DC
3. Temperature range: -40°C ~ +105°C
4. Insulation resistance: 1000MΩ Min.
5. Withstanding voltage: 1500V AC/ minute.
6. Contact resistance: 10mΩ Max.

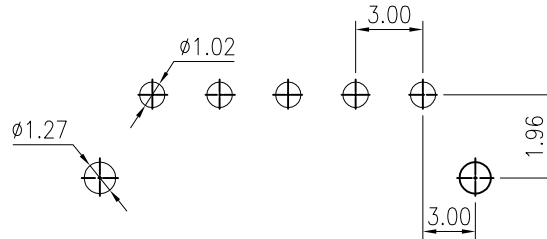
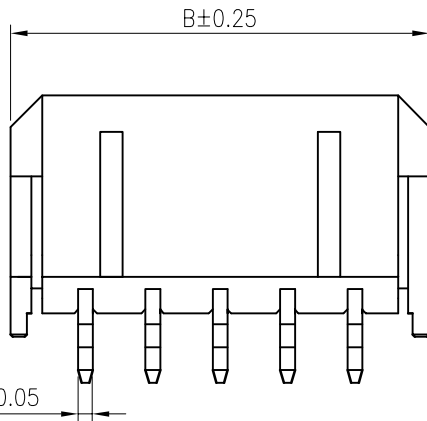
**Material:**

Insulator: PA9T UL 94V-0  
 Contact: Brass  
 Plating: Tin plated over nickel  
 Circuits: 2~12  
 Mate with KR3000 series single row housing

**Ordering Code:**

△△ C3000VD \*\*\* 12 T0101 R A

No. of Circuits: 102:2P, 103:3P.....  
 Insulator Material: 12:PA9T Black  
 Packing: R: Reel Tape, P: Bag

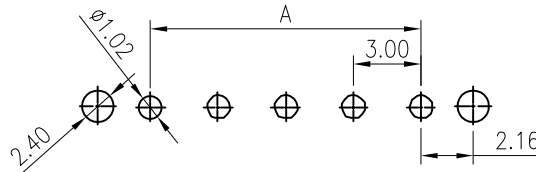
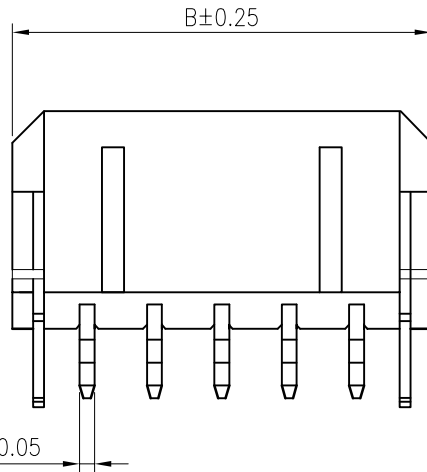
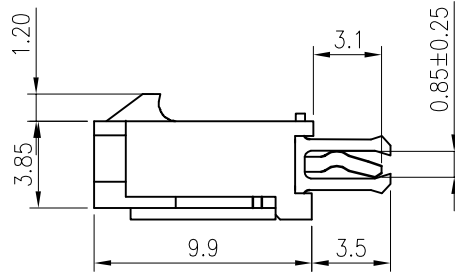
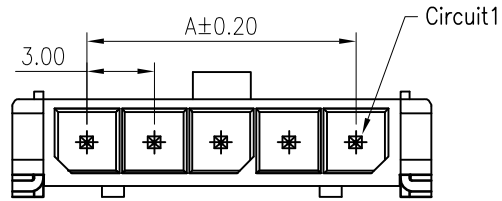


**Recommended P.C.B. Layout**  
 Total tolerance: ±0.05mm

PIN NO.	DIMENSIONS	
	A	B
2P	3.00	9.65
3P	6.00	12.65
4P	9.00	15.65
5P	12.00	18.65
6P	15.00	21.65
7P	18.00	24.65
8P	21.00	27.65
9P	24.00	30.65
10P	27.00	33.65
11P	30.00	36.65
12P	33.00	39.65

F	△△	Uniformly arrange the drawings	Arvin	2021.09.17	<b>TOLERANCE</b> X.X ±0.30 X.XX ±0.20 X.XXX ±0.10 Angle ±2°	<b>TITLE:</b> MK3.0 DIP 180° Wafer Single Row	DRAWN: ru yi 2020.03.10		KONNRA 东莞市康瑞电子有限公司		
	△△	Change the Product view	Arvin	2020.06.22			CHECKED:		DongGuan Konnra Electronics Co., Ltd.		
	△△	Change the part number and frame format	Ru yi	2020.3.10			APPROVED:		PART NO.: C3000VD***12T0101*A		
	MARK	REVISION DESCRIPTION	SIGNATURE	DATE			UNIT: mm	SCALE: N/A	SHEET: 1/1	PROJECTION	REV.: A4
	1	2	3	4	5	6	7	8	9		

RoHS  
COMPLIANT



**Recommended P.C.B. Layout**  
Total tolerance: ±0.05mm

**SPECIFICATIONS**

1. Current rating: 5A AC, DC
2. Voltage rating: 250V AC, DC
3. Temperature range: -40°C ~ +105°C
4. Insulation resistance: 1000MΩ Min.
5. Withstanding voltage: 1500V AC/ minute.
6. Contact resistance: 10mΩ Max.

**Material:**

Insulator: LCP UL 94V-0  
Contact: Brass  
Plating: Tin plated over nickel  
Circuits: 2~12  
Mate with KR3000 series single row housing

**Ordering Code:**

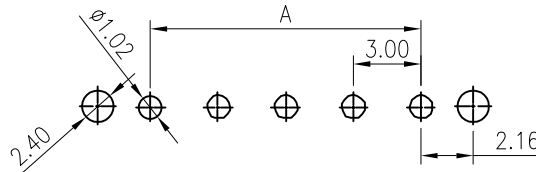
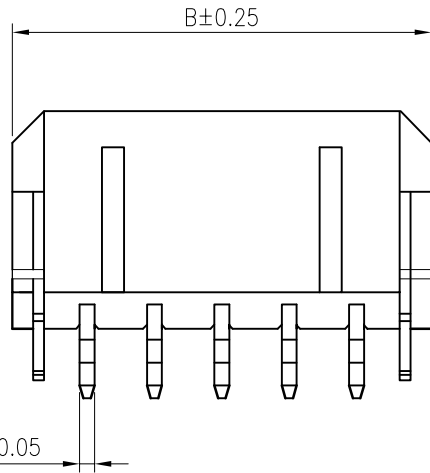
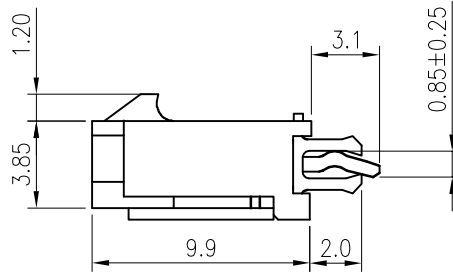
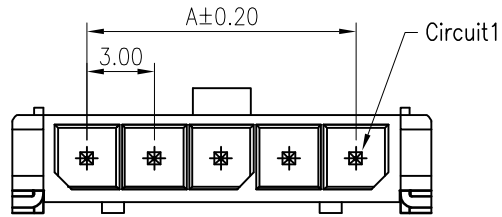
△△ C3000VD \*\*\* 14 T0102 R A

No. of Circuits: 102:2P, 103:3P.....  
Insulator Material: 14:LCP Black  
Packing: R: Reel Tape, P: Bag

PIN NO.	DIMENSIONS	
	A	B
2P	3.00	9.65
3P	6.00	12.65
4P	9.00	15.65
5P	12.00	18.65
6P	15.00	21.65
7P	18.00	24.65
8P	21.00	27.65
9P	24.00	30.65
10P	27.00	33.65
11P	30.00	36.65
12P	33.00	39.65

MARK	REVISION	DESCRIPTION	SIGNATURE	DATE	TOLERANCE	TITLE:	DRAWN:	KONNRA 东莞市康瑞电子有限公司 DongGuan Konnra Electronics Co., Ltd.					
△4					X.X ±0.30	MK3.0 DIP 180°	Arvin 2020.12.26	PART NO.: C3000VD***14T0102*A					
△3	1	Uniformly arrange the drawings	Arvin	2021.09.17	X.XX ±0.20	Wafer With Clips	CHECKED:				REV.: A3 DRAWING NO.: 3000WD102-A-S		
△2	2	Change the part number and frame format	Arvin	2020.12.26	X.XXX ±0.10	Single Row	APPROVED:						
					Angle ±2°	UNIT: mm SCALE: N/A	SHEET: 1/1	PROJECTION					

RoHS  
COMPLIANT



**Recommended P.C.B. Layout**  
Total tolerance: ±0.05mm

**SPECIFICATIONS**

1. Current rating: 5A AC, DC
2. Voltage rating: 250V AC, DC
3. Temperature range: -40°C ~ +105°C
4. Insulation resistance: 1000MΩ Min.
5. Withstanding voltage: 1500V AC/ minute.
6. Contact resistance: 10mΩ Max.

**Material:**

Insulator: LCP UL 94V-0  
Contact: Brass  
Plating: Tin plated over nickel  
Circuits: 2~12  
Mate with KR3000 series single row housing

**Ordering Code:**

**AA** C3000VD \*\*\* 14 T0103 R A

No. of Circuits: 102:2P, 103:3P.....  
Insulator Material: 14:LCP Black  
Packing: R: Reel Tape, P: Bag

PIN NO.	DIMENSIONS	
	A	B
2P	3.00	9.65
3P	6.00	12.65
4P	9.00	15.65
5P	12.00	18.65
6P	15.00	21.65
7P	18.00	24.65
8P	21.00	27.65
9P	24.00	30.65
10P	27.00	33.65
11P	30.00	36.65
12P	33.00	39.65

F	<b>AA</b>				TOLERANCE	TITLE:	DRAWN: Arvin 2020.12.26	KONNRA 东莞市康瑞电子有限公司 DongGuan Konnra Electronics Co., Ltd.		
	<b>A3</b>	Uniformly arrange the drawings	Arvin	2021.09.18	X. X ±0.30	MK3.0 DIP 180°	CHECKED:			
	<b>A2</b>	Change the part number and frame format	Arvin	2020.12.26	X. XX ±0.20	Wafer With Short	APPROVED:	PART NO.: C3000VD***14T0103*A		
	<b>MARK</b>	REVISION DESCRIPTION	SIGNATURE	DATE	X. XXX ±0.10	Clips Single Row	SHEET: 1/1	PROJECTION	REV.: A3	DRAWING NO.: 3000WD103-A-S

**RoHS**  
COMPLIANT

**SPECIFICATIONS**

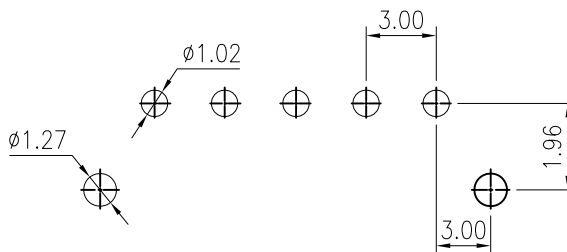
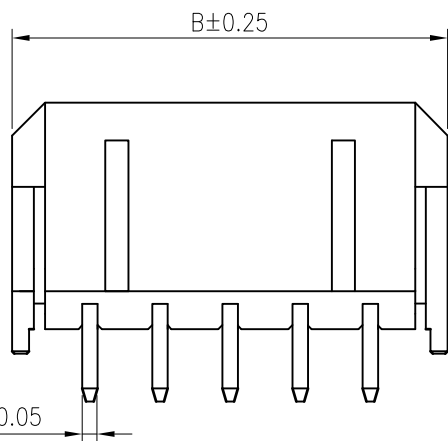
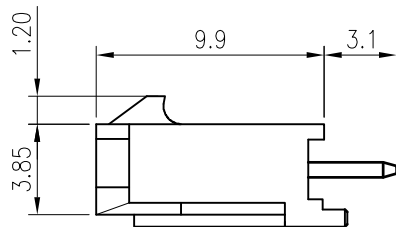
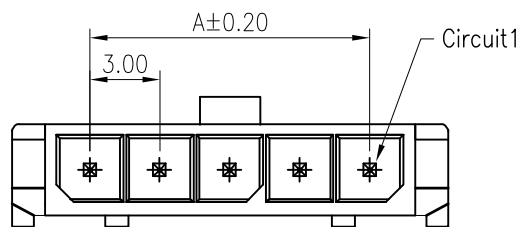
1. Current rating: 5A AC, DC
2. Voltage rating: 250V AC,DC
3. Temperature range: -40°C ~ +105°C
4. Insulation resistance: 1000MΩ Min.
5. Withstanding voltage: 1500V AC/ minute.
6. Contact resistance: 10mΩ Max.

**Material:**

Insulator: PA9T UL 94V-0  
 Contact: Brass  
 Plating: Tin plated over nickel  
 Circuits: 2~12  
 Mate with KR3000 series single row housing

**Ordering Code:**

C3000VD \*\*\* 12 T0106 \* A  
 No.of Circuits } Packing  
 102:2P,103:3P..... } R: Reel Tape  
 Insulator Material } P: Bag  
 12:PA9T Black

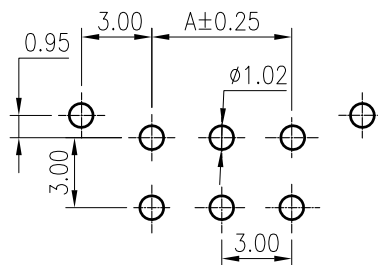
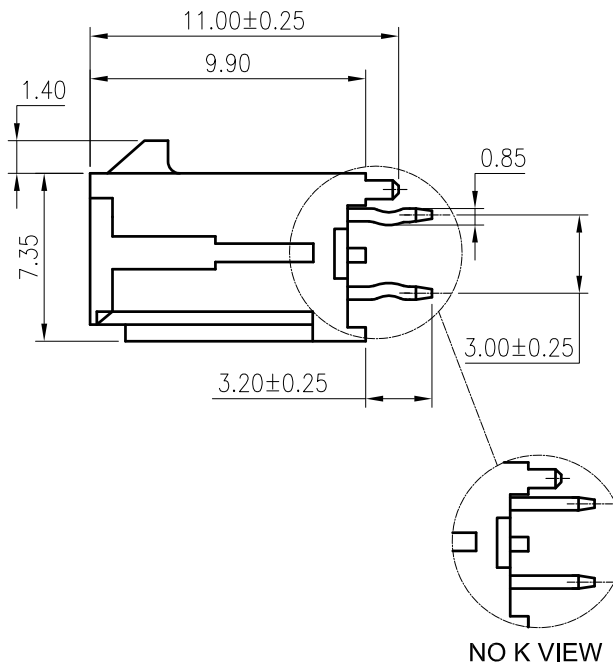
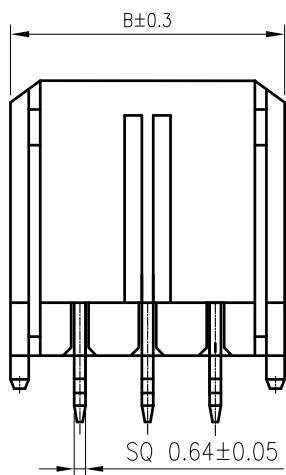
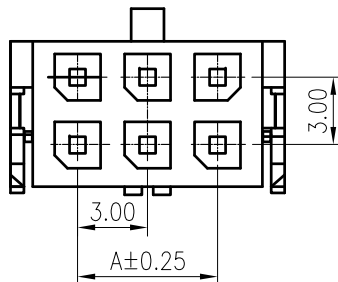


**Recommended P.C.B. Layout**  
 Total tolerance:±0.05mm

PIN NO.	DIMENSIONS	
	A	B
2P	3.00	9.65
3P	6.00	12.65
4P	9.00	15.65
5P	12.00	18.65
6P	15.00	21.65
7P	18.00	24.65
8P	21.00	27.65
9P	24.00	30.65
10P	27.00	33.65
11P	30.00	36.65
12P	33.00	39.65

F					TOLERANCE	TITLE:	DRAWN: Shen 2021.11.03	KONNRA 东莞市康瑞电子有限公司 DongGuan Konnra Electronics Co.,Ltd.			
					X.X ±0.30	MX3.0 DIP 180°	CHECKED:				
		New Specifications	Shen	2021.11.03	X.XX ±0.20	Wafer Single Row	APPROVED:	PART NO.: C3000VD***12T0106*A			
	MARK	REVISION DESCRIPTION	SIGNATURE	DATE	X.XXX ±0.10	No K	UNIT:mm	SCALE:1/1	SHEET:1/1	PROJECTION	REV.:A1
	1	2	3	4	5	6	7	8	9		

**RoHS**  
COMPLIANT



**Recommended P.C.B. Layout**  
Total tolerance:±0.05mm

**SPECIFICATIONS**

1. Current rating: 5A AC, DC
2. Voltage rating: 250V AC,DC
3. Temperature range: -40°C ~ +105°C
4. Insulation resistance: 1000MΩ Min.
5. Withstanding voltage: 1500V AC/ minute.
6. Contact resistance: 10mΩ Max.

**Material:**

Insulator: PA46 UL 94V-0  
 Contact: Brass  
 Plating: Tin plated over nickel  
 Circuits: 2~12  
 Mate with KR3000 series Dual row housing

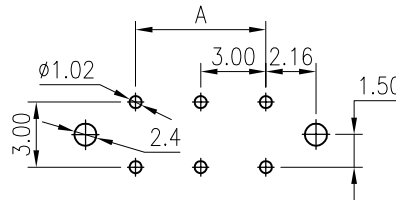
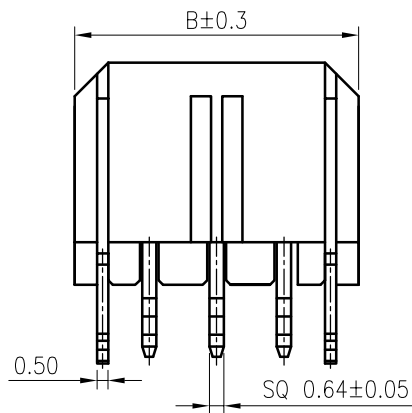
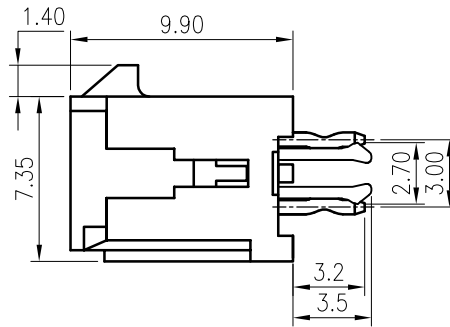
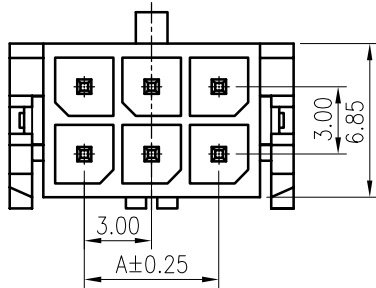
**Ordering Code:**

**A2** C3000VD \*\*\* 08 T01\*\* R A  
 No.of Circuits: 201:2x1P, 202:2x2P.....  
 Insulator Material: 08:PA46 Black  
 Packing: R: Reel Tape, P: Bag, B: Box  
 01:Have K, 10:No K  
**A4**

PIN NO.	DIMENSIONS		PIN NO.	DIMENSIONS	
	A	B		A	B
2*1P	--	6.65	2*7P	18.00	24.65
2*2P	3.00	9.65	2*8P	21.00	27.65
2*3P	6.00	12.65	2*9P	24.00	30.65
2*4P	9.00	15.65	2*10P	27.00	33.65
2*5P	12.00	18.65	2*11P	30.00	36.65
2*6P	15.00	21.65	2*12P	33.00	39.65

F	<b>A4</b>	Add no K specification	Shen	2022.01.09	TOLERANCE X.X ±0.30 X.XX ±0.20 X.XXX ±0.10 Angle ±2°	TITLE: MX3.0 DIP 180° Wafer Dual Row	DRAWN: Shen 2022.01.09		KONNRA 东莞市康瑞电子有限公司		
	<b>A3</b>	Uniformly arrange the drawings	Arvin	2021.09.24			CHECKED:		DongGuan Konnra Electronics Co.,Ltd.		
	<b>A2</b>	Change the part number and frame format	Ru yi	2020.3.10			APPROVED:		PART NO.:C3000VD***08T01***A		
	MARK	REVISION DESCRIPTION	SIGNATURE	DATE			UNIT:mm	SCALE:N/A	SHEET:1/1	PROJECTION	REV.:A4

RoHS  
COMPLIANT



**Recommended P.C.B. Layout**  
Total tolerance:±0.05mm

**SPECIFICATIONS**

1. Current rating: 5A AC, DC
2. Voltage rating: 250V AC,DC
3. Temperature range: -40°C ~ +105°C
4. Insulation resistance: 1000MΩ Min.
5. Withstanding voltage: 1500V AC/ minute.
6. Contact resistance: 10mΩ Max.

**Material:**

- Insulator: LCP UL 94V-0
- Contact: Brass/Tin plated over nickel
- Clips: Brass/Matte-tin plated over nickel
- Circuits: 2~12
- Mate with KR3000 series dual row housing

**Ordering Code:**

**AA** C3000VD \*\*\* 14 T0102 R A

- No.of Circuits: 201:2x1P, 202:2x2P.....
- Insulator Material: 14:LCP Black
- Packing: R: Reel Tape, P: Bag, B: Box

PIN NO.	DIMENSIONS		PIN NO.	DIMENSIONS	
	A	B		A	B
2*1P	--	6.65	2*7P	18.00	24.65
2*2P	3.00	9.65	2*8P	21.00	27.65
2*3P	6.00	12.65	2*9P	24.00	30.65
2*4P	9.00	15.65	2*10P	27.00	33.65
2*5P	12.00	18.65	2*11P	30.00	36.65
2*6P	15.00	21.65	2*12P	33.00	39.65

MARK	REVISION	DESCRIPTION	SIGNATURE	DATE	TOLERANCE	TITLE:	DRAWN:	CHECKED:	APPROVED:	PROJECTION	REV. :	DRAWING NO. :
A4					X. X ± 0.30	MK3.0 DIP 180°	ru yi 2020.03.10			First Angle	A3	3000WD202-A-S
A3	1	Uniformly arrange the drawings	Arvin	2021.09.24	X. XX ± 0.20	Wafer With Clips						
A2	2	Change the part number and frame format	Ru yi	2020.3.10	X. XXX ± 0.10	Dual Row						
	1				Angle ± 2°	UNIT: mm SCALE: N/A	SHEET: 1/1					

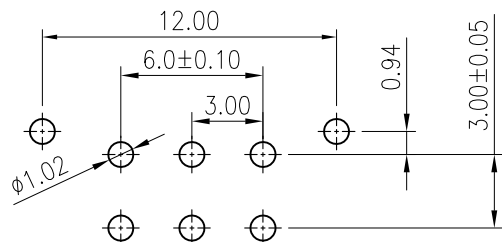
**KONNRA** 东莞市康瑞电子有限公司

DongGuan Konnra Electronics Co., Ltd.

PART NO. : C3000VD\*\*\*14T0102\*A

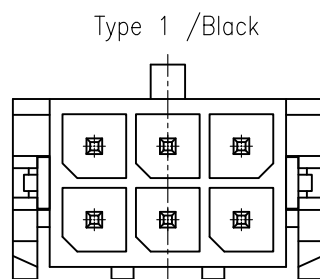
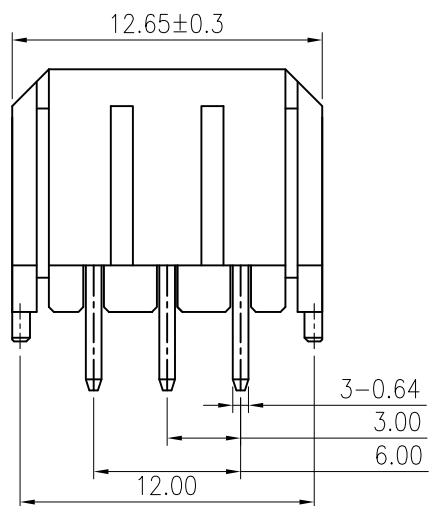
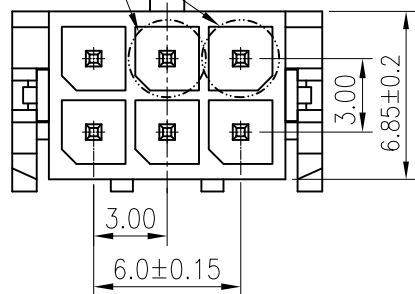
REV. : A3 DRAWING NO. : 3000WD202-A-S

**RoHS**  
COMPLIANT

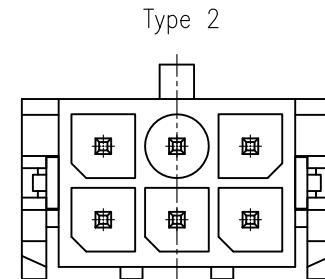


Recommended P.C.B. Layout  
Total tolerance:±0.05mm

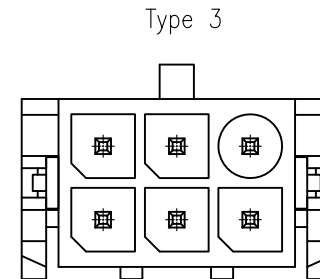
Construction See Table



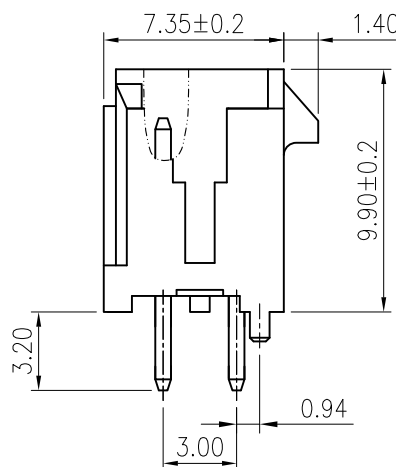
P/N:C3000VD20308T0101PA



P/N:C3000VD203\*\*T012\*PA



P/N:C3000VD203\*\*T013\*PA



**SPECIFICATIONS**

Current rating: 5A AC, DC  
Voltage rating: 250V AC,DC  
Temperature range: -40°C ~ +105°C  
Insulation resistance: 1000MΩ/ min.  
Withstanding voltage: 1500V AC/ minute.  
Contact resistance: 10mΩ/ max.

**Material:**

Insulator: NYLON46 UL94 V-0  
Pin:Brass/Tin-Plated  
Plating: Tin plated over nickel  
Circuits: 2\*1~2\*12P  
Mate with KR3000 series dual row housing

**Ordering Code:**

C3000VD 203 \*\* T01 \*\* P A

07: PA46 NATURAL  
08: PA46 BLACK  
34: PA46 RED

P: Bag  
R: Reel  
22: Type 2 NO K  
32: Type 3 NO K

TOLERANCE
X.X ±0.30
X.XX ±0.20
X.XXX ±0.10
Angle ±2°

TITLE:  
MX3.0 DIP 180°  
Wafer 双排有柱无  
K\_2\*3

DRAWN: Shen 2021.12.24

CHECKED:

APPROVED:

**KONNRA** 东莞市康瑞电子有限公司  
DongGuan Konnra Electronics Co.,Ltd.

PART NO.:SEE TABLE



The First

Shen

2021.12.24

MARK

REVISION DESCRIPTION

SIGNATURE

DATE

UNIT:mm

SCALE:1/1

SHEET:1/1

PROJECTION

REV.:A1

DRAWING NO.:3000WVD222-A-S

1

2

3

4

5

6

7

8

9



**RoHS**  
COMPLIANT

**SPECIFICATIONS**

1. Current rating: 5A AC, DC
2. Voltage rating: 250V AC,DC
3. Temperature range: -40°C ~ +105°C
4. Insulation resistance: 1000MΩ Min.
5. Withstanding voltage: 1500V AC/ minute.
6. Contact resistance: 10mΩ Max.

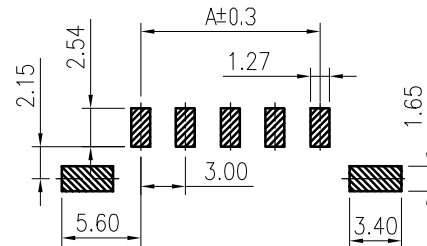
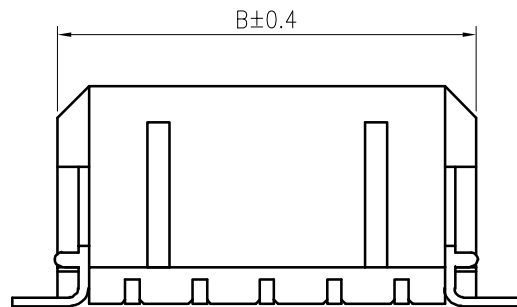
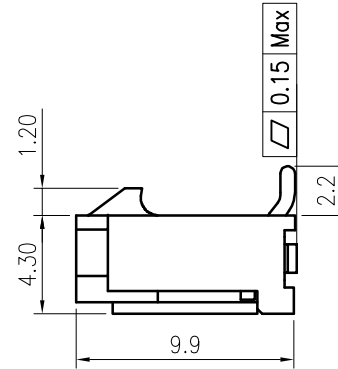
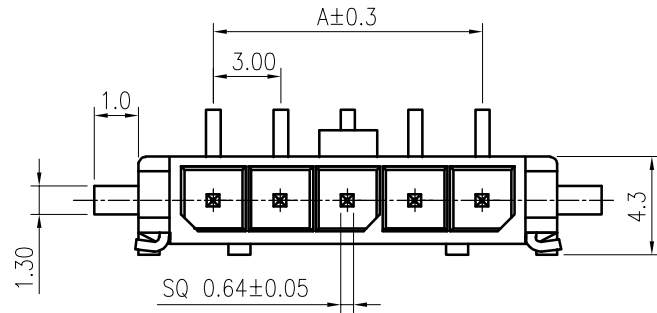
**Material:**

Insulator: LCP UL 94V-0  
 Contact: Brass/Matte-tin plated over nickel  
 Solder Tab: Brass/Matte-tin plated over nickel  
 Circuits: 2~12  
 Mate with KR3000 series single row housing

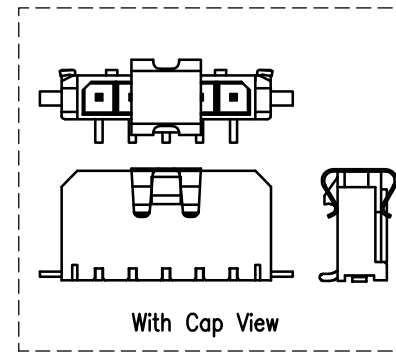
**Ordering Code:**

C3000VS \*\*\* 14 M0101 R A

No. of Circuits: 102:2P, 103:3P.....  
 Insulator Material: 14:LCP Black  
 Packing: R: Reel Tape, P: Bag



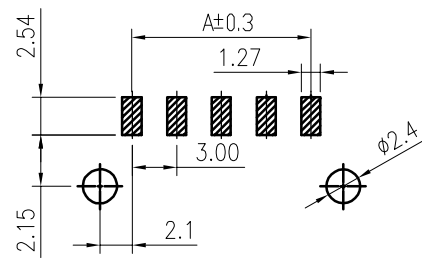
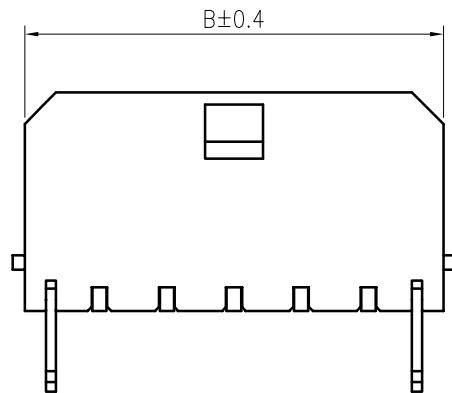
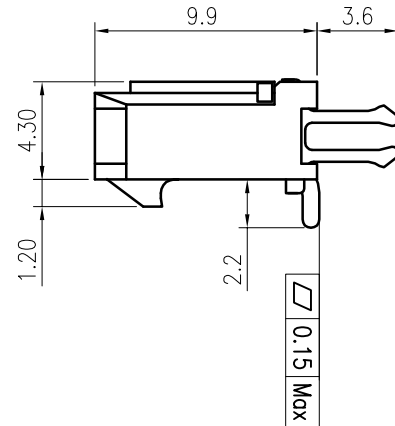
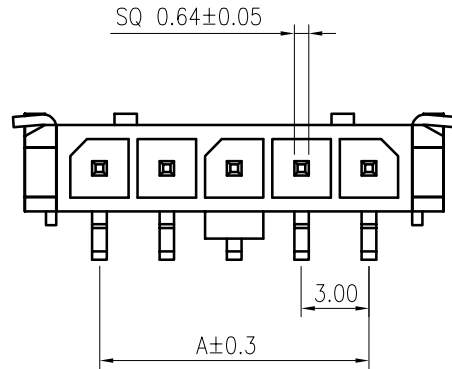
**Recommended P.C.B. Layout**  
Total tolerance:±0.05mm



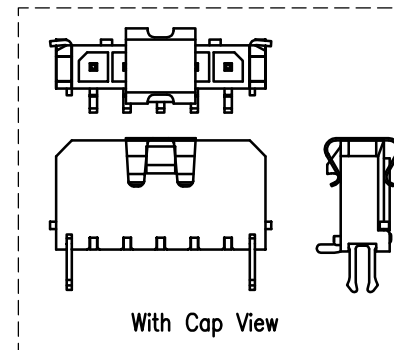
PIN NO.	DIMENSIONS	
	A	B
2P	3.00	9.7
3P	6.00	12.7
4P	9.00	15.7
5P	12.00	18.7
6P	15.00	21.7
7P	18.00	24.7
8P	21.00	27.7
9P	24.00	30.7
10P	27.00	33.7
11P	30.00	36.7
12P	33.00	39.7

F					TOLERANCE	TITLE:	DRAWN: ru yi 2020.03.10	KONNRA 东莞市康瑞电子有限公司 DongGuan Konnra Electronics Co., Ltd.		
		Uniformly arrange the drawings	Arvin	2021.09.23	X. X ±0.30	MK3.0 SMF 180°	CHECKED:			
		Change the part number and frame format	Ru yi	2020.3.10	X. XX ±0.20	Wafer With Solder	APPROVED:	PART NO.: C3000VS1**14M0101RA		
	MARK	REVISION DESCRIPTION	SIGNATURE	DATE	X. XXX ±0.10	Tab Single Row	SHEET: 1/1	PROJECTION	REV.: A3	DRAWING NO.: 3000WS101-A-S
	1	2	3	4	5	6	7	8	9	

**RoHS**  
COMPLIANT



**Recommended P.C.B. Layout**  
Total tolerance:±0.05mm



**SPECIFICATIONS**

1. Current rating: 5A AC, DC
2. Voltage rating: 250V AC,DC
3. Temperature range: -40°C ~ +105°C
4. Insulation resistance: 1000MΩ Min.
5. Withstanding voltage: 1500V AC/ minute.
6. Contact resistance: 10mΩ Max.

**Material:**

- Insulator: LCP UL 94V-0
- Contact: Brass/Matte-tin plated over nickel
- Clips: Brass/Matte-tin plated over nickel
- Circuits: 2~12
- Mate with KR3000 series single row housing

**Ordering Code:**

**AA** C3000VS \*\*\* 14 M0102 R A

- No. of Circuits: 102:2P, 103:3P.....
- Insulator Material: 14:LCP Black
- Packing: R: Reel Tape, P: Bag

PIN NO.	DIMENSIONS	
	A	B
2P	3.00	9.7
3P	6.00	12.7
4P	9.00	15.7
5P	12.00	18.7
6P	15.00	21.7
7P	18.00	24.7
8P	21.00	27.7
9P	24.00	30.7
10P	27.00	33.7
11P	30.00	36.7
12P	33.00	39.7

MARK	REVISION	DESCRIPTION	SIGNATURE	DATE	TOLERANCE	TITLE:	DRAWN:	CHECKED:	APPROVED:	PROJECTION	REV. :	DRAWING NO. :
A4					X. X ±0.30	MK3.0 SMF 180°	ru yi 2020.03.10			⊕	A3	3000WS102-A-S
A3	1	Uniformly arrange the drawings	Arvin	2021.09.23	X. XX ±0.20	Wafer With Clips						
A2	2	Change the part number and frame format	Ru yi	2020.3.10	X. XXX ±0.10	Single Row						
	3				Angle ±2°	UNIT: mm SCALE: N/A	SHEET: 1/1					

**KONNRA** 东莞市康瑞电子有限公司  
DongGuan Konnra Electronics Co., Ltd.

PART NO. : C3000VS1\*\*14M0102RA

REV. : A3 DRAWING NO. : 3000WS102-A-S

RoHS  
COMPLIANT

◆ SPECIFICATIONS

- Current rating: 5A AC, DC
- Voltage rating: 250V AC,DC
- Temperature range: -40°C ~ +105°C
- Insulation resistance: 1000MΩ Min.
- Withstanding voltage: 1500V AC/ minute.
- Contact resistance: 10mΩ Max.

Material:

Insulator: LCP UL 94V-0

Contact: Brass

Solder nail: Brass

Plating: SEE TABLE

Circuits: 2~12

Suitable: KR3000 series single row Housing

C3000VS1\*\*14M0103RA

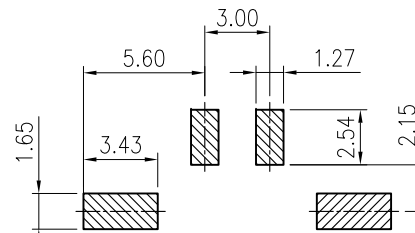
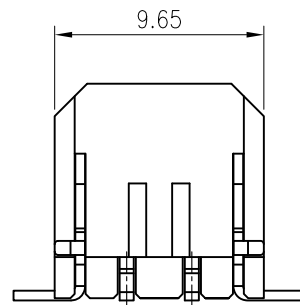
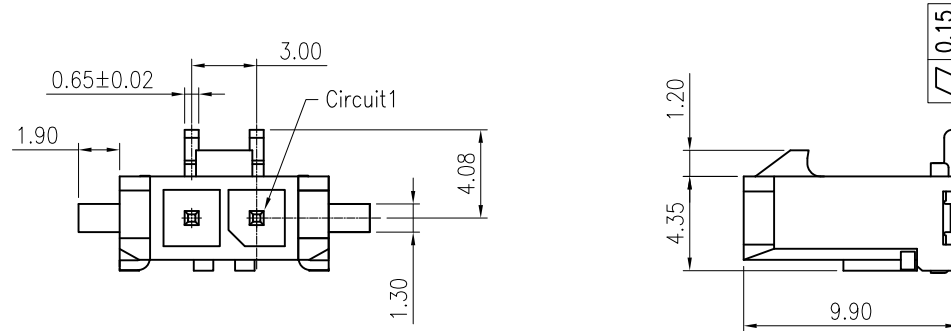
02: 2P

12: 12P

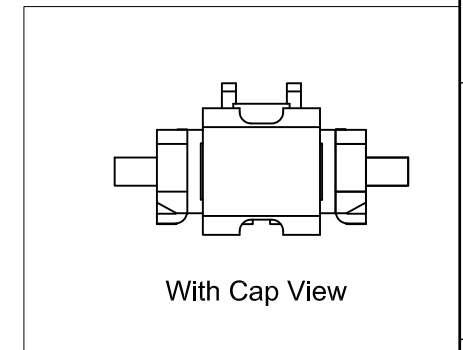
14: LCP Black

M01: MATTE TIN

G06: Au 15u"

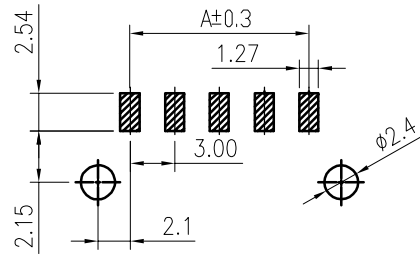
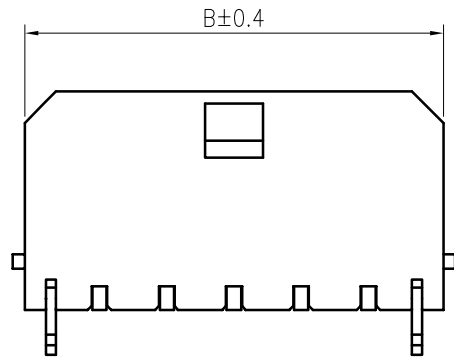
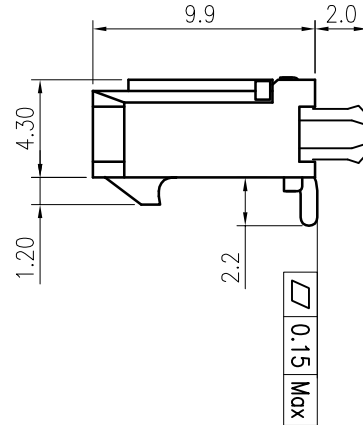
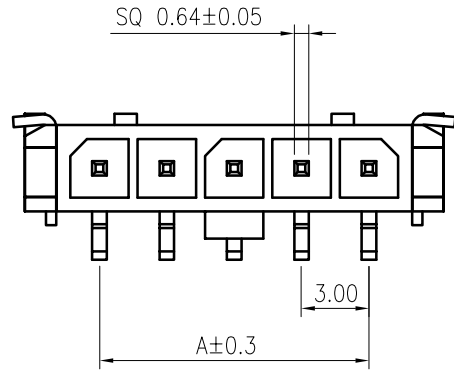


Recommended P.C.B. Layout  
Total tolerance: ±0.05mm

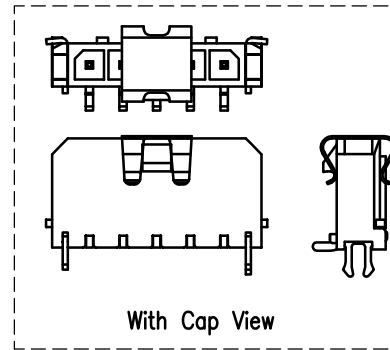


F		Add plating specification	ZSZ	2022.12.09	TOLERANCE X.X ±0.30 X.XX ±0.20 X.XXX ±0.10 Angle ±2°	TITLE: MX 3.0 SMT 180° Wafer 2P With Long solder tap	DRAWN: ru yi 2020.03.10		KONNRA 东莞市康瑞电子有限公司		
		Change the part number and frame format	Ru yi	2020.3.10			CHECKED:	DongGuan Konnra Electronics Co.,Ltd.			
		New DWG	Ru yi	2019.9.27			APPROVED:	PART NO.: C3000VS10214M0103RA			
	MARK	REVISION DESCRIPTION	SIGNATURE	DATE			UNIT: mm	SCALE: N/A	SHEET: 1/1	PROJECTION	REV.: A3

**RoHS**  
COMPLIANT



**Recommended P.C.B. Layout**  
Total tolerance:±0.05mm



**SPECIFICATIONS**

1. Current rating: 5A AC, DC
2. Voltage rating: 250V AC,DC
3. Temperature range: -40°C ~ +105°C
4. Insulation resistance: 1000MΩ Min.
5. Withstanding voltage: 1500V AC/ minute.
6. Contact resistance: 10mΩ Max.

**Material:**

Insulator: LCP UL 94V-0  
Contact: Brass/Matte-tin plated over nickel  
Clips: Brass/Matte-tin plated over nickel  
Circuits: 2~12  
Mate with KR3000 series single row housing

**Ordering Code:**

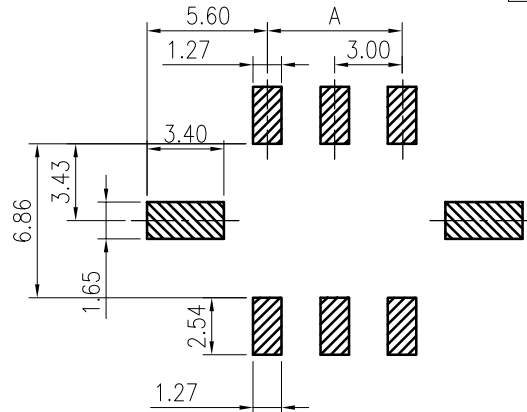
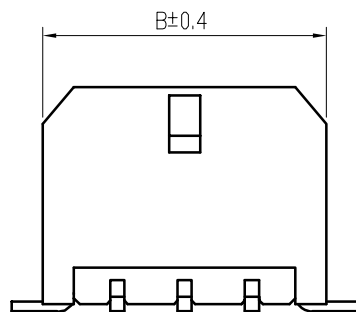
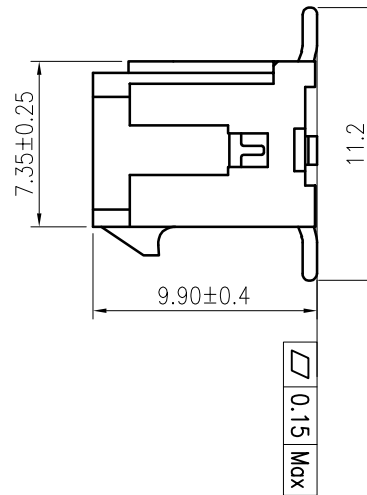
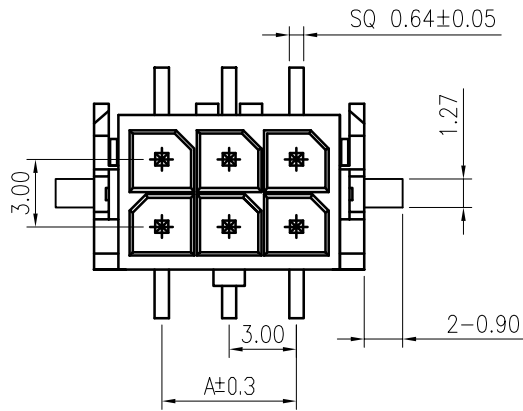
**AA** C3000VS \*\*\* 14 M0104 R A

No. of Circuits: 102:2P, 103:3P.....  
Insulator Material: 14:LCP Black  
Packing: R: Reel Tape, P: Bag

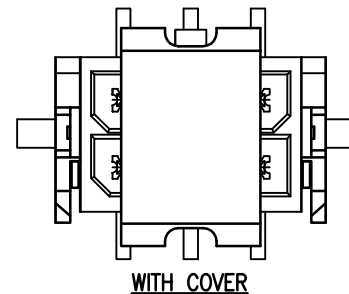
PIN NO.	DIMENSIONS	
	A	B
2P	3.00	9.7
3P	6.00	12.7
4P	9.00	15.7
5P	12.00	18.7
6P	15.00	21.7
7P	18.00	24.7
8P	21.00	27.7
9P	24.00	30.7
10P	27.00	33.7
11P	30.00	36.7
12P	33.00	39.7

F	<b>AA</b>				TOLERANCE	TITLE:	DRAWN: ru yi 2020.03.10	KONNRA 东莞市康瑞电子有限公司 DongGuan Konnra Electronics Co., Ltd.		
	<b>A3</b>	Uniformly arrange the drawings	Arvin	2021.09.23	X. X ±0.30	MK3.0 SMF 180°	CHECKED:			
	<b>A2</b>	Change the part number and frame format	Ru yi	2020.3.10	X. XX ±0.20	Wafer With Short	APPROVED:	PART NO. : C3000VS1**14M0104RA		
	<b>MARK</b>	REVISION DESCRIPTION	SIGNATURE	DATE	X. XXX ±0.10	Clips Single Row	SHEET: 1/1	PROJECTION	REV. : A3	DRAWING NO. : 3000WS104-A-S
	1	2	3	4	5	6	7	8	9	

RoHS  
COMPLIANT



Recommended P.C.B. Layout  
Total tolerance:±0.05mm



SPECIFICATIONS

1. Current rating: 5A AC, DC
2. Voltage rating: 250V AC,DC
3. Temperature range: -40°C ~ +105°C
4. Insulation resistance: 1000MΩ Min.
5. Withstanding voltage: 1500V AC/ minute.
6. Contact resistance: 10mΩ Max.

Material:

Insulator: LCP UL 94V-0  
Contact: Brass/Matte-tin plated over nickel  
Solder tab: Brass/Matte-tin plated over nickel  
Circuits: 2\*1~2\*12  
Mate with KR3000 series dual row housing

Ordering Code:

C3000VS \*\*\* 14 M0101 R A

No. of Circuits: 201:2x1P, 2x2:2x2P.....  
Insulator Material: 14:LCP Black  
Packing: R: Reel Tape, P: Bag

PIN NO.	DIMENSIONS		PIN NO.	DIMENSIONS	
	A	B		A	B
2*1P	--	6.65	2*7P	18.00	24.65
2*2P	3.00	9.65	2*8P	21.00	27.65
2*3P	6.00	12.65	2*9P	24.00	30.65
2*4P	9.00	15.65	2*10P	27.00	33.65
2*5P	12.00	18.65	2*11P	30.00	36.65
2*6P	15.00	21.65	2*12P	33.00	39.65

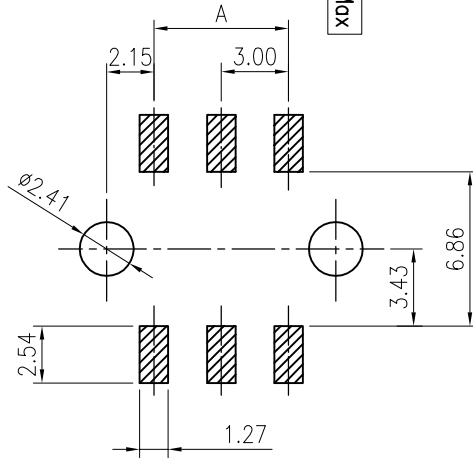
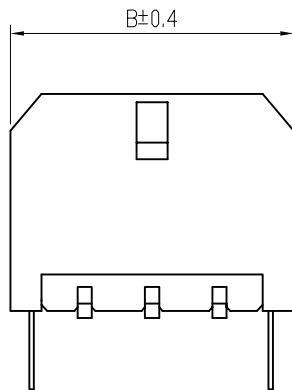
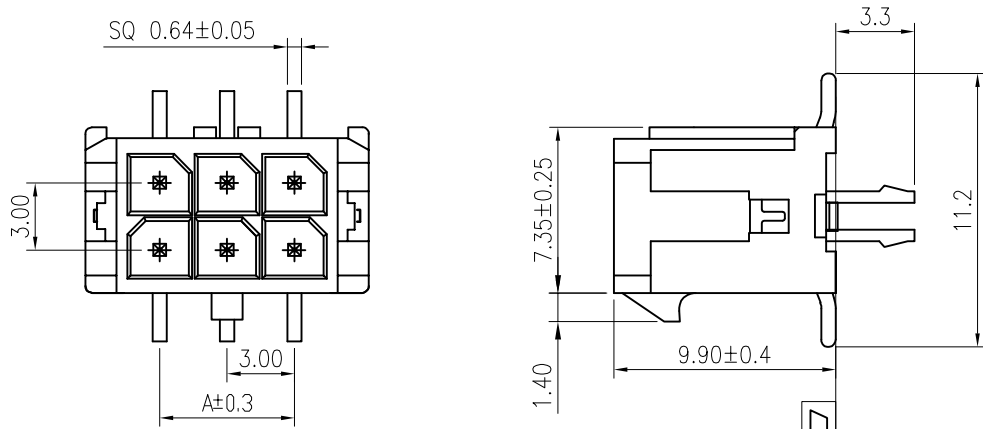
MARK	REVISION	DESCRIPTION	SIGNATURE	DATE	TOLERANCE	TITLE:	DRAWN:	CHECKED:	APPROVED:	REV. :	DRAWING NO. :
					X. X ±0.30	MK3.0 SM <sup>180°</sup>	ru yi 2020.03.10			A3	3000WS201-A-S
	1	Uniformly arrange the drawings	Arvin	2021.09.22	X. XX ±0.20	Wafer With Solder				A3	3000WS201-A-S
	2	Change the part number and frame format	Ru yi	2020.3.10	X. XXX ±0.10	Tab Dual Row				A3	3000WS201-A-S
	3				Angle ±2°					A3	3000WS201-A-S

KONNRA 东莞市康瑞电子有限公司  
DongGuan Konnra Electronics Co., Ltd.

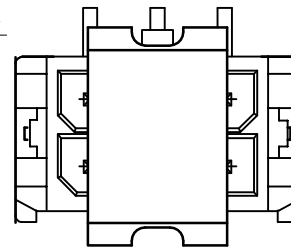
PART NO. : C3000VS2\*\*14M0101RA

REV. : A3 DRAWING NO. : 3000WS201-A-S

RoHS  
COMPLIANT



**Recommended P.C.B. Layout**  
Total tolerance:±0.05mm



**SPECIFICATIONS**

1. Current rating: 5A AC, DC
2. Voltage rating: 250V AC,DC
3. Temperature range: -40°C ~ +105°C
4. Insulation resistance: 1000MΩ Min.
5. Withstanding voltage: 1500V AC/ minute.
6. Contact resistance: 10mΩ Max.

**Material:**

Insulator: LCP UL 94V-0  
Contact: Brass/Matte-tin plated over nickel  
Clips: Brass/Matte-tin plated over nickel  
Circuits: 2\*1~2\*12  
Mate with KR3000 series dual row housing

**Ordering Code:**

**AA** C3000VS \*\*\* 14 M0102 R A

No. of Circuits ————  
201:2x1P, ———— Packing  
202:2x2P..... ———— R: Reel Tape  
Insulator Material ———— P: Bag  
14:LCP Black

PIN NO.	DIMENSIONS		PIN NO.	DIMENSIONS	
	A	B		A	B
2*1P	--	6.65	2*7P	18.00	24.65
2*2P	3.00	9.65	2*8P	21.00	27.65
2*3P	6.00	12.65	2*9P	24.00	30.65
2*4P	9.00	15.65	2*10P	27.00	33.65
2*5P	12.00	18.65	2*11P	30.00	36.65
2*6P	15.00	21.65	2*12P	33.00	39.65

MARK	REVISION	DESCRIPTION	SIGNATURE	DATE	TOLERANCE	TITLE:	DRAWN:	CHECKED:	APPROVED:	REV. :	DRAWING NO. :
A4					X. X ± 0.30	MK3.0 SM <sup>180°</sup>	ru yi 2020.03.10			A3	3000WS202-A-S
A3	1	Uniformly arrange the drawings	Arvin	2021.09.23	X. XX ± 0.20	Wafer With Clips				A3	3000WS202-A-S
A2	2	Change the part number and frame format	Ru yi	2020.3.10	X. XXX ± 0.10	Dual Row				A3	3000WS202-A-S
					Angle ± 2°						

**KONNRA** 东莞市康瑞电子有限公司

DongGuan Konnra Electronics Co., Ltd.

PART NO. : C3000VS2\*\*14M0102RA

REV. : A3 DRAWING NO. : 3000WS202-A-S