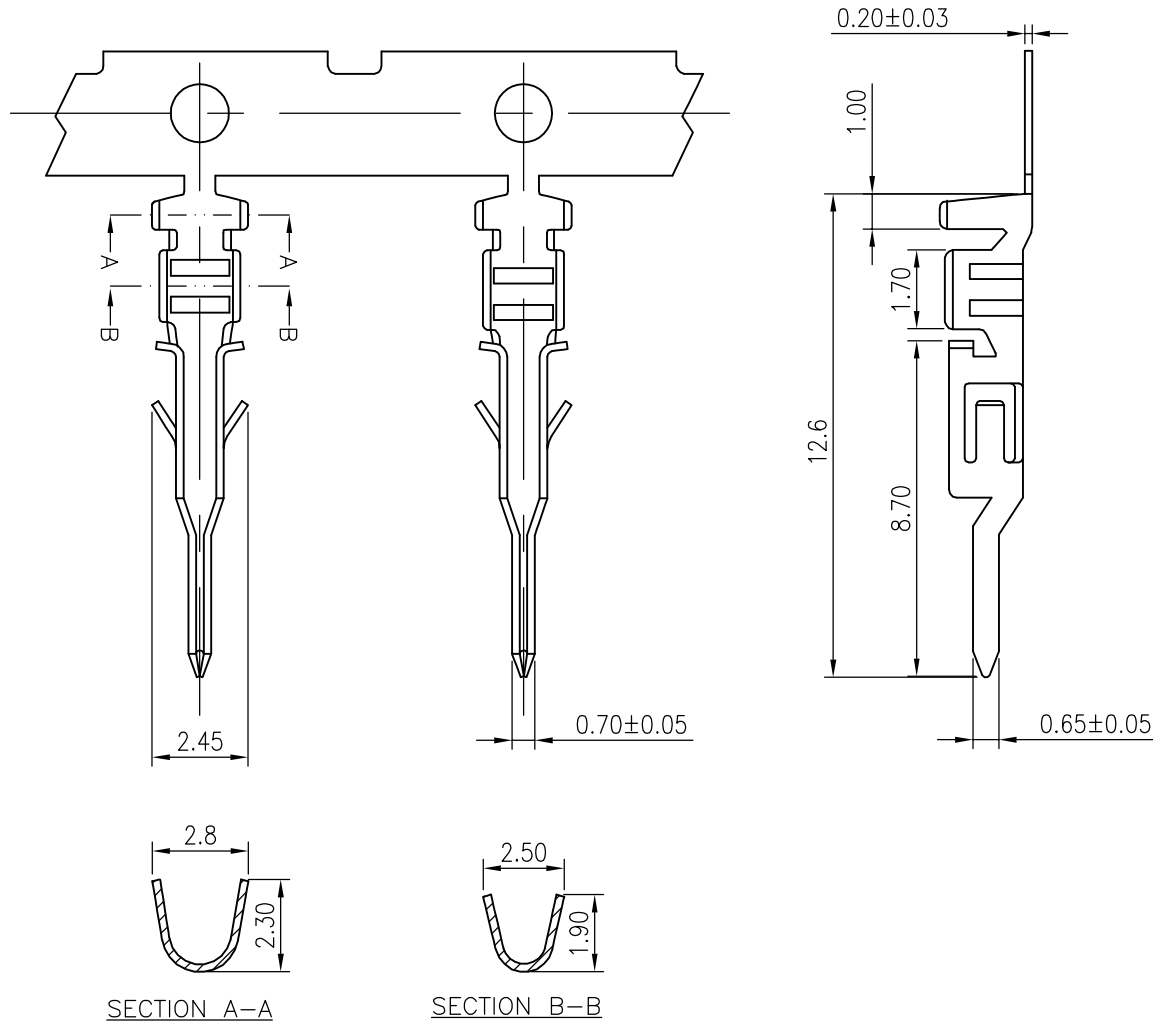


RoHS
COMPLIANT



- ◆ SPECIFICATIONS
- Current rating: 5A AC, DC
 - Voltage rating: 250V AC, DC
 - Temperature range: -25°C ~ +85°C
 - Insulation resistance: 1000MΩ Min.
 - Withstanding voltage: 1500V AC/ minute.
 - Contact resistance: 10mΩ Max.

Terminal:
Material: Phosphor Bronze
Finish: Tin Plated over Nickel
Applicable wires:
AWG #28~#22
Insulation O.D.: 1.80mm Max.
Suitable: KR3000HM series Housing
Qty/reel: 10,000PCS

Ordering Code:
T3000MP B01 01B
T01: Tin plated
S00: Unplated
B01: Selective gold flash

F	△4				TOLERANCE X. X ± 0.30 X. XX ± 0.20 X. XXX ± 0.10 Angle ± 2°	TITLE: MK3.0 Male Terminal	DRAWN: <i>Arvin 2016.04.01</i>		KONNRA 东莞市康瑞电子有限公司		
	△3						CHECKED:		DongGuan Konnra Electronics Co., Ltd.		
	△2	Change the part number and frame format	ZSZ	2022.03.24			APPROVED:		PART NO.: T3000MP***01B		
	MARK	REVISION DESCRIPTION	SIGNATURE	DATE			UNIT: mm	SCALE: N/A	SHEET: 1/1	PROJECTION	REV.: A2
	1	2	3	4		5	6	7	8	9	