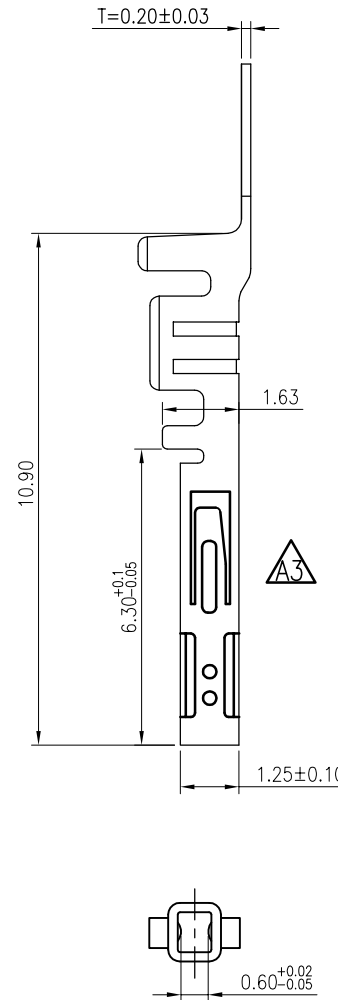
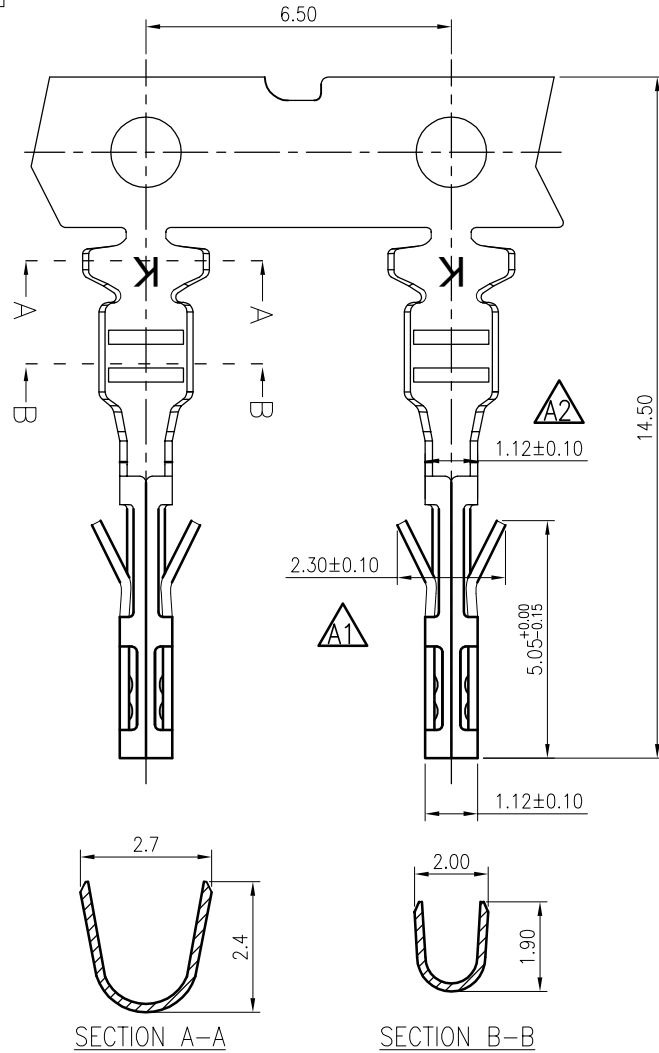


RoHS
COMPLIANT



SPECIFICATIONS

1. Current rating: 5A AC, DC
2. Voltage rating: 250V AC,DC
3. Temperature range: -40°C ~ +105°C
4. Insulation resistance: 1000MΩ Min.
5. Withstanding voltage: 1500V AC/ minute.
6. Contact resistance: 10mΩ Max.

Material: Phosphor Bronze
 Plating: See Tin plated over Nickel
 Applicable wires: AWG #20~#24
 Insulation O.D 1.30~1.80 mm
 Suitable KR3000 series housing
 Qty/reel:10,000PCS

Ordering Code:

A4 T3000FP B01 01A

- Plating
- T01: Tin plated
 - G03: gold plated 3u"
 - B01: Selective gold fish
 - B02: Selective gold plated 1u"
 - B03: Selective gold plated 3u"
 - B04: Selective gold plated 5u"
 - B07: Selective gold plated 30u"
 - B08: Selective gold plated 2u"

F	A6			TOLERANCE	TITLE:	DRAWN: ru yi 2020.03.10	KONNRA 东莞市康瑞电子有限公司			
	A5	Uniformly arrange the drawings	Arvin	2021.09.26	X. X ± 0.30	MK3.0 Female Terminal W=2.30	CHECKED:	DongGuan Konnra Electronics Co., Ltd.		
	A4	Change the part number and frame format	TLX	2021.04.14	X. XX ± 0.20		APPROVED:	PART NO. : T3000FP***01A		
	MARK	REVISION DESCRIPTION	SIGNATURE	DATE	X. XXX ± 0.10	UNIT: mm	SCALE: N/A	SHEET: 1/1	PROJECTION	REV. : A5
	1	2	3	4	5	6	7	8	9	