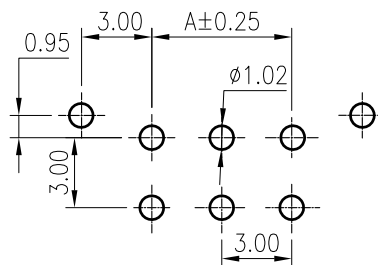
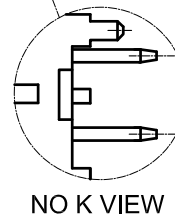
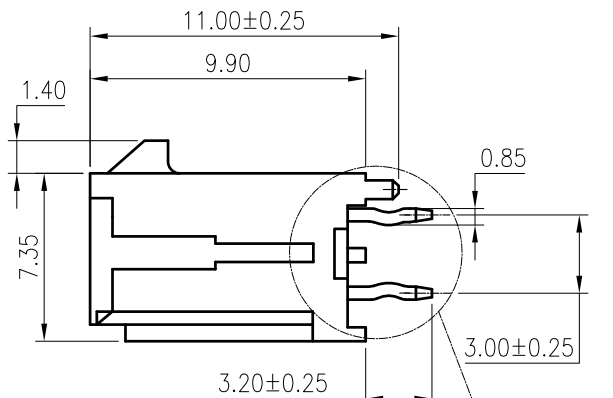
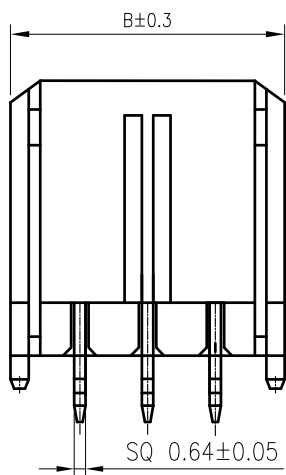
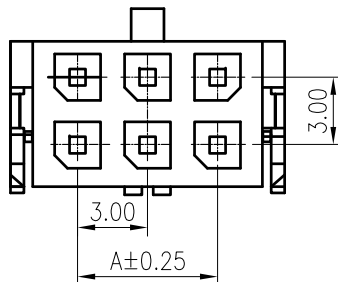


RoHS
COMPLIANT



Recommended P.C.B. Layout
Total tolerance:±0.05mm

SPECIFICATIONS

1. Current rating: 5A AC, DC
2. Voltage rating: 250V AC,DC
3. Temperature range: -40°C ~ +105°C
4. Insulation resistance: 1000MΩ Min.
5. Withstanding voltage: 1500V AC/ minute.
6. Contact resistance: 10mΩ Max.

Material:

Insulator: PA46 UL 94V-0
Contact: Brass
Plating: Tin plated over nickel
Circuits: 2~12
Mate with KR3000 series Dual row housing

Ordering Code:

A2 C3000VD *** 08 T01** R A
 No.of Circuits: 201:2x1P, 202:2x2P.....
 Insulator Material: 08:PA46 Black
 Packing: R: Reel Tape, P: Bag, B: Box
 01:Have K, 10:No K
A4

PIN NO.	DIMENSIONS		PIN NO.	DIMENSIONS	
	A	B		A	B
2*1P	--	6.65	2*7P	18.00	24.65
2*2P	3.00	9.65	2*8P	21.00	27.65
2*3P	6.00	12.65	2*9P	24.00	30.65
2*4P	9.00	15.65	2*10P	27.00	33.65
2*5P	12.00	18.65	2*11P	30.00	36.65
2*6P	15.00	21.65	2*12P	33.00	39.65

F	A4	Add no K specification	Shen	2022.01.09	TOLERANCE X.X ±0.30 X.XX ±0.20 X.XXX ±0.10 Angle ±2°	TITLE: MX3.0 DIP 180° Wafer Dual Row	DRAWN: Shen 2022.01.09		KONNRA 东莞市康瑞电子有限公司		
	A3	Uniformly arrange the drawings	Arvin	2021.09.24			CHECKED:		DongGuan Konnra Electronics Co.,Ltd.		
	A2	Change the part number and frame format	Ru yi	2020.3.10			APPROVED:		PART NO.:C3000VD***08T01***A		
	MARK	REVISION DESCRIPTION	SIGNATURE	DATE			UNIT:mm	SCALE:N/A	SHEET:1/1	PROJECTION	REV.:A4