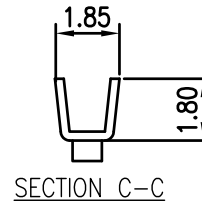
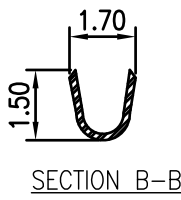
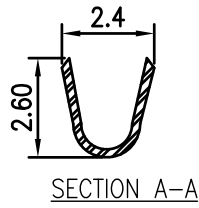
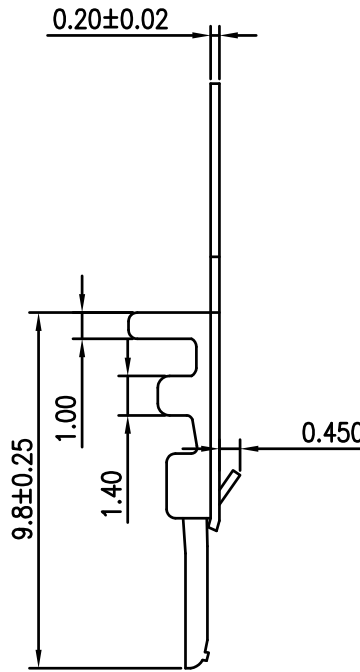
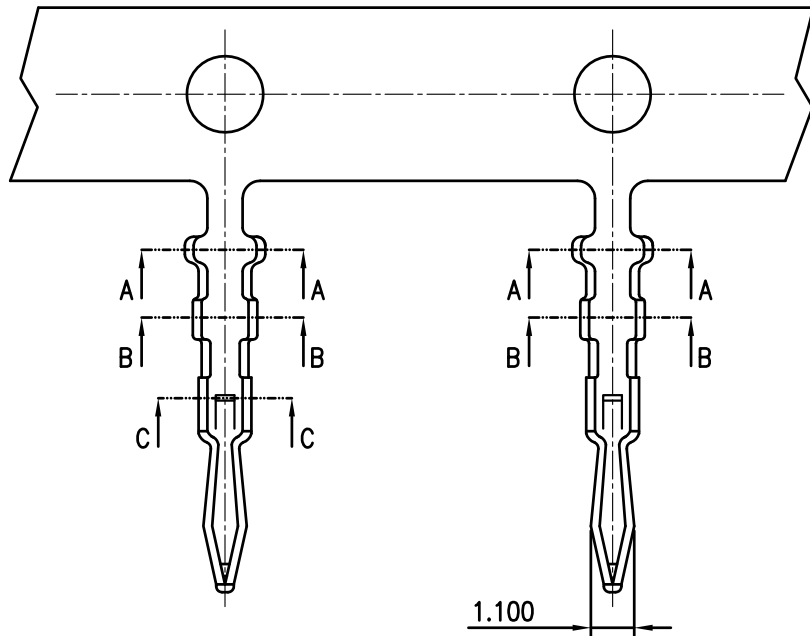


RoHS
COMPLIANT



SPECIFICATIONS

1. Current rating: 3A AC, DC
2. Voltage rating: 250V AC,DC
3. Temperature range: -40°C ~ +105°C
4. Insulation resistance: 1000MΩ Min.
5. Withstanding voltage: 800V AC/ minute.
6. Contact resistance: 10mΩ Max.

Applicable Wires:

AWG#24~#28

Insulation O.D. : 1.60mm MAX

Material: Brass

Plating: Tin plated over nickel

Suitable KR2508 series housing

Q'ty/reel: 10,000PCS

| | | | | | | | | | | |
|------|--------------------------------|-----------|------------|-------------|-------------|--|------------------------------|--|--------------------------------------|--|
| | | | | TOLERANCE | TITLE: | | DRAWN: Liujingtian 2020.5.06 | | KONNRA 东莞市康瑞电子有限公司 | |
| | | | | X.X ±0.30 | SCN2.5 180° | | CHECKED: | | DongGuan Konnra Electronics Co.,Ltd. | |
| | | | | X.XX ±0.20 | Terminal | | APPROVED: | | PART NO.: T2508VBT0101C | |
| | | | | X.XXX ±0.10 | UNIT:mm | | SHEET: 1/1 | | REV.: A2 | |
| | | | | Angle ±2° | SCALE:N/A | | PROJECTION | | DRAWING NO.: 2508TV101-C-S | |
| MARK | REVISION DESCRIPTION | SIGNATURE | DATE | | | | | | | |
| 1 | | | | | | | | | | |
| 2 | Uniformly arrange the drawings | LJT | 2020.05.06 | | | | | | | |