

RoHS
COMPLIANT

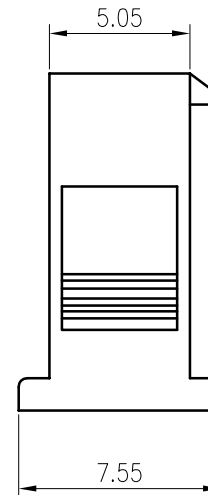
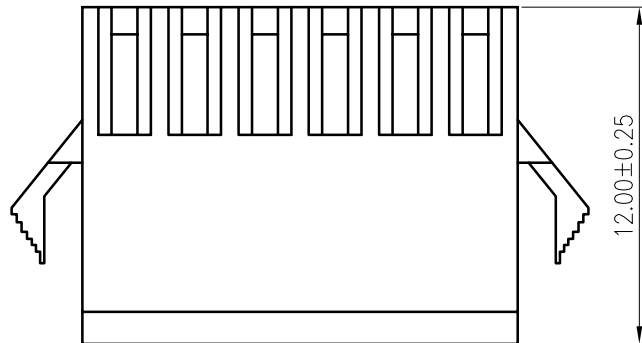
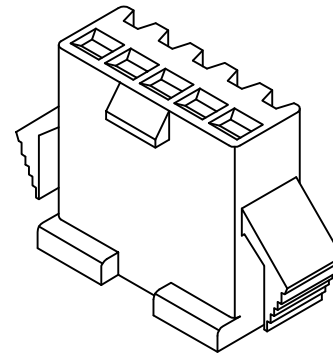
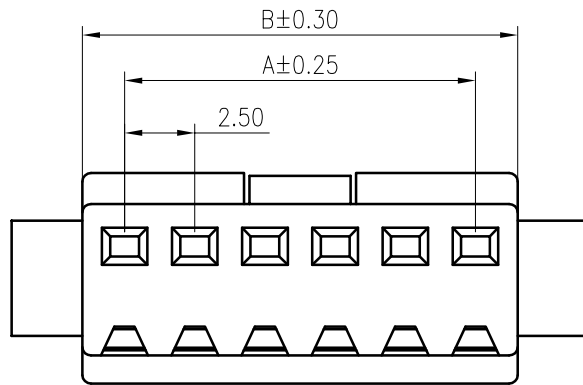
SPECIFICATIONS

1. Current rating: 3A AC, DC
2. Voltage rating: 250V AC,DC
3. Temperature range: -40°C ~ +105°C
4. Insulation resistance: 500MΩ Min.
5. Withstanding voltage: 1500V AC/ minute.
6. Contact resistance: 10mΩ Max.

Material: PA66 UL94 V-2
 Suitable KR2507 series female terminal
 Mate with KR2507 series female housing
 Ordering Code:

H2507M *** 04 01C

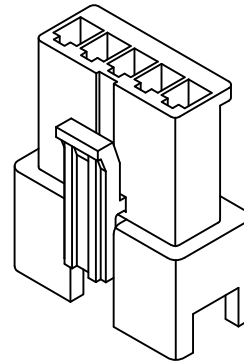
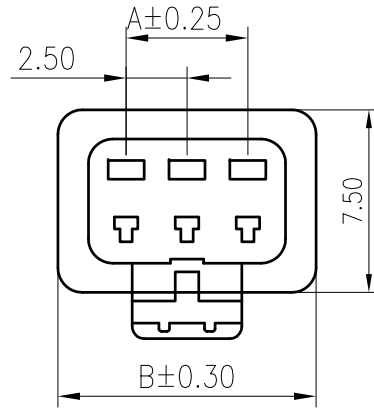
No. of Circuits 102:2,116:16
 Insulator Material 04:PA66 Black V2



Circuits	Dimensions	
	A	B
2	2.50	5.5
3	5.00	8.0
4	7.50	10.5
5	10.00	13.0
6	12.50	15.5
7	15.00	18.0
8	17.50	20.5
9	20.00	23.0
10	22.50	25.5
11	25.00	28.0
12	27.50	30.5
13	30.00	33.0
14	32.50	35.5
15	35.00	38.0
16	37.50	40.5

				TOLERANCE	TITLE: SM2.5 Male Housing		DRAWN: Shen 2022.01.13		KONNRA 东莞市康瑞电子有限公司	
				X. X ±0.30			CHECKED:		DongGuan Konnra Electronics Co., Ltd.	
				X. XX ±0.20			APPROVED:		PART NO. : H2507M***0401C	
				X. XXX ±0.10			SHEET: 1/1		PROJECTION	
MARK	REVISION DESCRIPTION	SIGNATURE	DATE	Angle ±2°	UNIT: mm	SCALE: N/A				
1	2	3	4	5	6	7	8	9		

RoHS
COMPLIANT





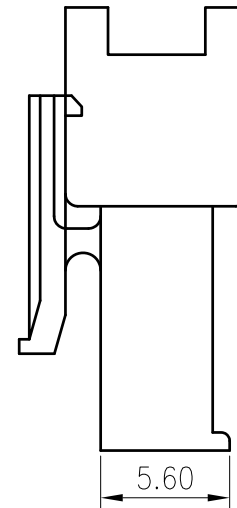
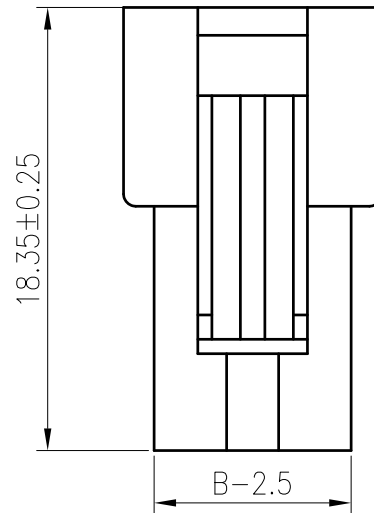
SPECIFICATIONS

1. Current rating: 3A AC, DC
2. Voltage rating: 250V AC,DC
3. Temperature range: -40°C ~ +105°C
4. Insulation resistance: 500MΩ Min.
5. Withstanding voltage: 1500V AC/ minute.
6. Contact resistance: 10mΩ Max.




Material: Nylon 66 UL 94V-2
Suitable KR2507 series male terminal
Mate with KR2507 series male housing
Ordering Code:

H2507F *** 04 01C

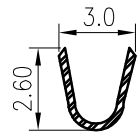
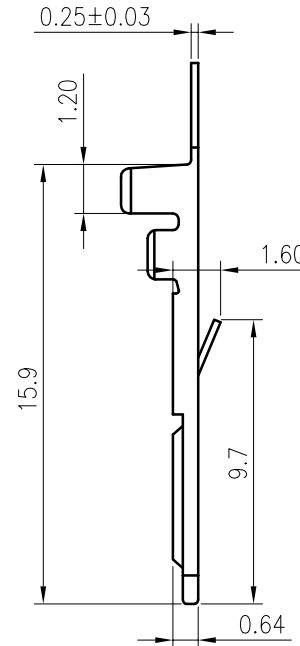
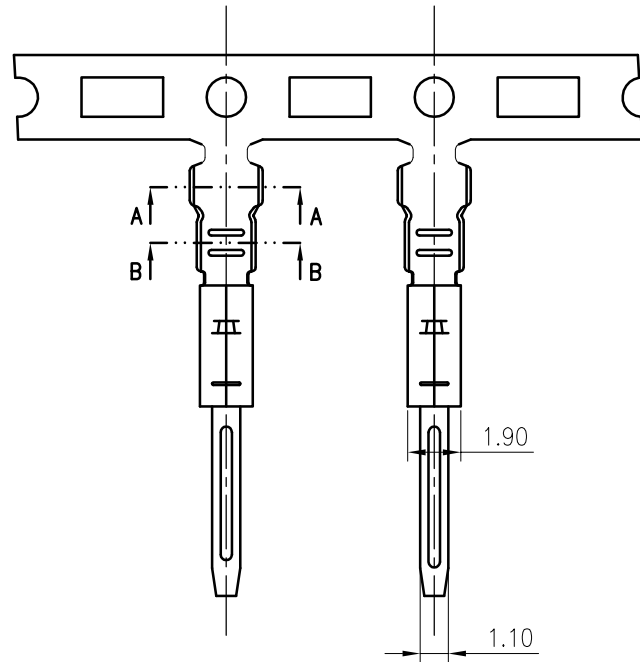
No. of Circuits 
102:2,116:16
Insulator Material 
04:PA66 Black V2



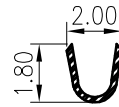
Circuits	Dimensions	
	A	B
2	2.50	8.1
3	5.00	10.6
4	7.50	13.1
5	10.00	15.6
6	12.50	18.1
7	15.00	20.6
8	17.50	23.1
9	20.00	25.6
10	22.50	28.1
11	25.00	30.6
12	27.50	33.1
13	30.00	35.6
14	32.50	38.1
15	35.00	40.6
16	37.50	43.1

F					TOLERANCE	TITLE: SM2.5 Female Housing	DRAWN: Liujingtian 2020.5.08		KONNRA 东莞市康瑞电子有限公司 DongGuan Konnra Electronics Co.,Ltd.		
		Uniformly arrange the drawings	LJT	2020.05.08	X.X ±0.30		CHECKED:	APPROVED:		PART NO.: H2507F***0401C	
	MARK	REVISION DESCRIPTION	SIGNATURE	DATE	X.XX ±0.20		UNIT:mm	SCALE:N/A		SHEET:1/1	PROJECTION 
				X.XXX ±0.10							
				Angle ±2°							

RoHS
COMPLIANT



SECTION A-A



SECTION B-B

SPECIFICATIONS

1. Current rating: 3A AC, DC
2. Voltage rating: 250V AC,DC
3. Temperature range: -40°C ~ +105°C
4. Insulation resistance: 500MΩ Min.
5. Withstanding voltage: 1500V AC/ minute.
6. Contact resistance: 10mΩ Max.

Applicable Wires:

AWG#22~#28

Insulation O.D. : 1.60mm MAX

Material: Phosphor Bronze

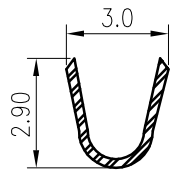
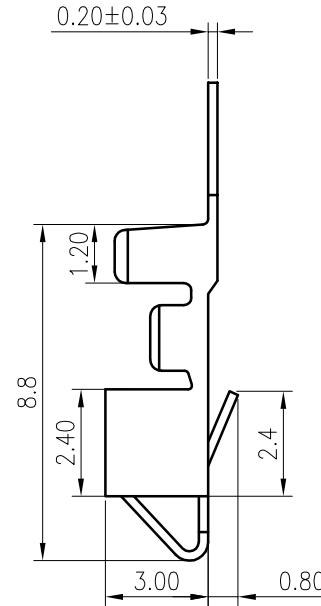
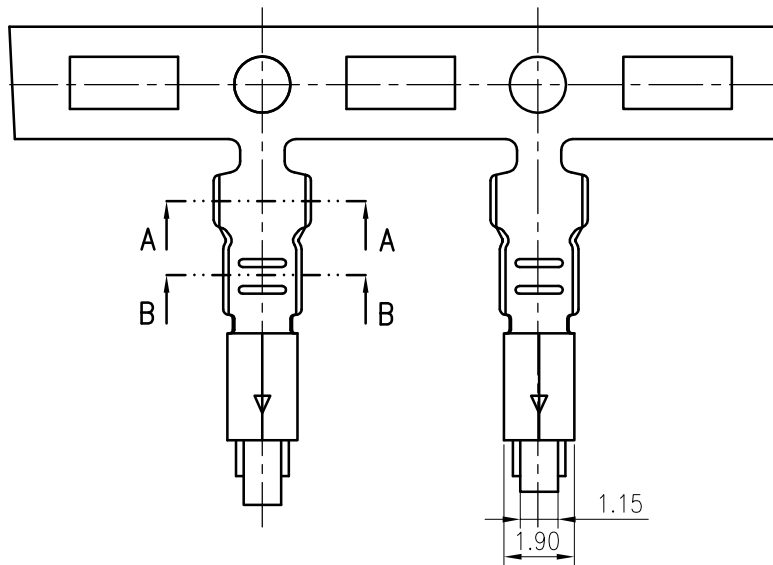
Plating: Tin plated over nickel

Suitable KR2507 series female housing

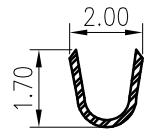
Q'ty/reel: 8,000 PCS

F					TOLERANCE	TITLE:	DRAWN: Liujingtian 2020.5.08	KONNRA 东莞市康瑞电子有限公司			
					X. X ±0.30	SM2.5 Male	CHECKED:	DongGuan Konnra Electronics Co.,Ltd.			
		Uniformly arrange the drawings	LJT	2020.05.08	X. XX ±0.20	Terminal	APPROVED:	PART NO. : T2507MPT0101C			
	MARK	REVISION DESCRIPTION	SIGNATURE	DATE	X. XXX ±0.10	Angle ±2°	UNIT: mm	SCALE: N/A	SHEET: 1/1	PROJECTION	REV. : A2
	1	2	3	4	5	6	7	8	9		

RoHS
COMPLIANT



SECTION A-A



SECTION B-B

SPECIFICATIONS

1. Current rating: 3A AC, DC
2. Voltage rating: 250V AC,DC
3. Temperature range: -40°C ~ +105°C
4. Insulation resistance: 500MΩ Min.
5. Withstanding voltage: 1500V AC/ minute.
6. Contact resistance: 10mΩ Max.

Applicable Wires:

AWG#22~#28

Insulation O.D. : 1.60mm MAX

Material: Phosphor Bronze

Plating: Tin plated over nickel

Suitable KR2507 series male housing

Q'ty/reel: 5,000 PCS

F					TOLERANCE X.X ±0.30 X.XX ±0.20 X.XXX ±0.10 Angle ±2°	TITLE: SM2.5 Female Terminal	DRAWN: Liujingtian 2020.5.08		KONNRA 东莞市康瑞电子有限公司		
		Uniformly arrange the drawings	LJT	2020.05.08			CHECKED:		DongGuan Konnra Electronics Co.,Ltd.		
	MARK	REVISION DESCRIPTION	SIGNATURE	DATE		UNIT: mm	SCALE: N/A	SHEET: 1/1	PROJECTION	REV. : A2	DRAWING NO. : 2507TF101-C-S
	1	2	3	4	5	6	7	8	9		