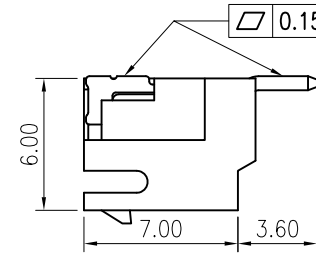
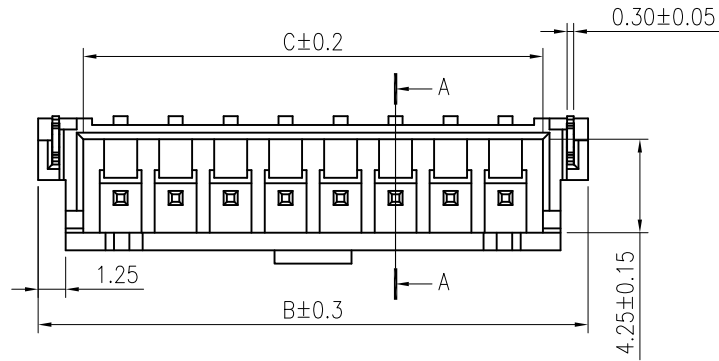


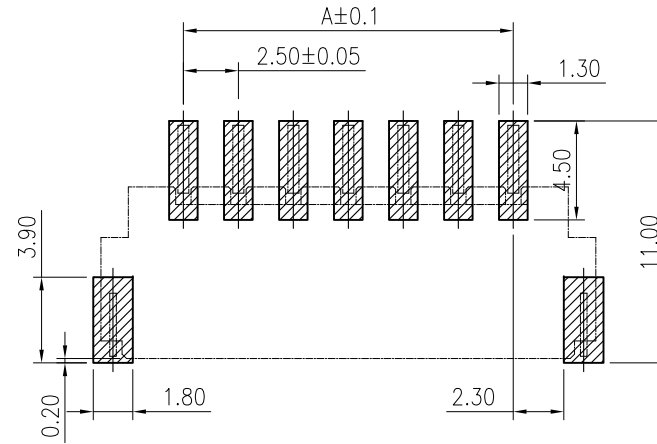
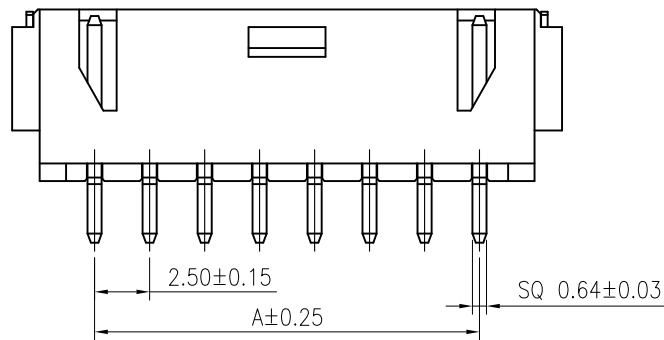
RoHS  
COMPLIANT



- ◆ SPECIFICATIONS
- Current rating: 3A AC, DC
  - Voltage rating: 250V AC, DC
  - Temperature range: -40°C ~ +105°C
  - Insulation resistance: 1000MΩ Min.
  - Withstanding voltage: 1000V AC/ minute.
  - Contact resistance: 20mΩ Max.

Material:  
 Insulator: Nylon 9T/LCP UL 94V-0  
 Contact: Brass  
 Solder Nail: Brass  
 Plating: Tin plated over Nickel  
 Circuits: 2~16  
 Mates: KR2502 series Housing

Ordering code:  
 C2502RS1\*\*11M0101RA  
 102: 2P  
 116: 16P  
 11: PA9T Natural



Recommended P.C.Board Layout

CKT.	Dimension		
	A	B	C
02	2.50	10.00	5.90
03	5.00	12.50	8.40
04	7.50	15.00	10.90
05	10.00	17.50	13.40
06	12.50	20.00	15.90
07	15.00	22.50	18.40
08	17.50	25.00	20.90
09	20.00	27.50	23.40
10	22.50	30.00	25.90
11	25.00	32.50	28.40
12	27.50	35.00	30.90
13	30.00	37.50	33.40
14	32.50	40.00	35.90
15	35.00	42.50	38.40
16	37.50	45.00	40.90

				TOLERANCE	TITLE:		DRAWN: <i>Arvin 2021.09.23</i>		KONNRA 东莞市康瑞电子有限公司		
F		Uniformly arrange the drawings	ZSZ	2021.09.23	XH 2.5 Have buckle		CHECKED:		DongGuan Konnra Electronics Co.,Ltd.		
		Change the part number and frame format	Arvin	2020.01.16	SMT 90° WF		APPROVED:		PART NO.: C2502RS1**11M0101RA		
LTR	REVISION DESCRIPTION		SIGNATURE	DATE	Angle ±2°	UNIT:mm	SCALE:N/A	SHEET:1/1	PROJECTION	VER.:A2	DRAWING NO.:2502WHS01-A-S
1	2	3	4	5	6	7	8	9			