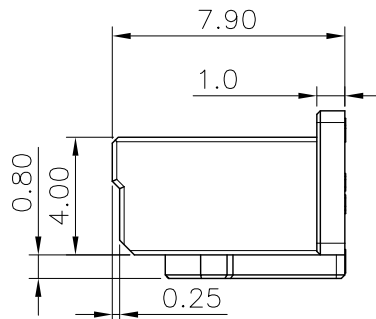
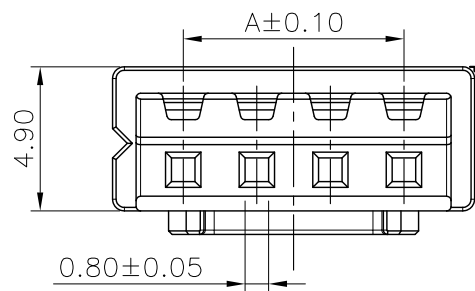


RoHS
COMPLIANT



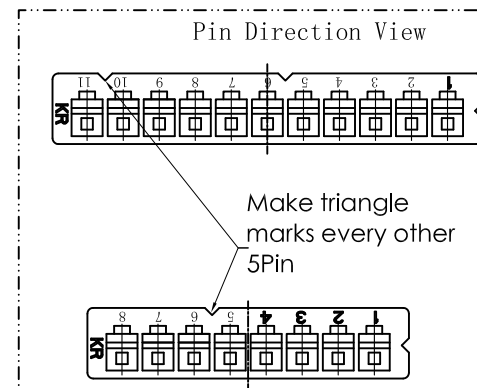
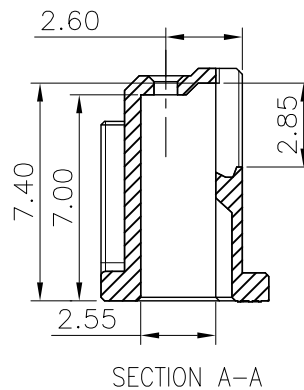
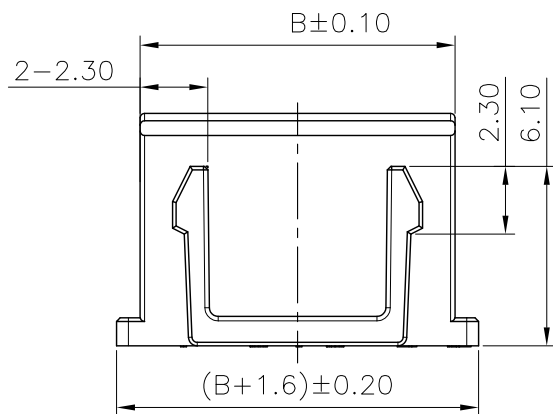
◆ SPECIFICATIONS

- Current rating: 3A AC, DC
- Voltage rating: 250V AC, DC
- Temperature range: -40°C ~ +105°C
- Insulation resistance: 1000MΩ Min.
- Withstanding voltage: 1000V AC/ minute.
- Contact resistance: 20mΩ Max.

Material: PBT UL 94V-0 $\triangle A03$

Circuits: 2~16

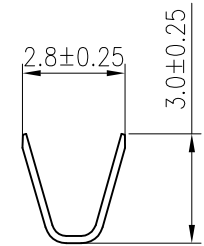
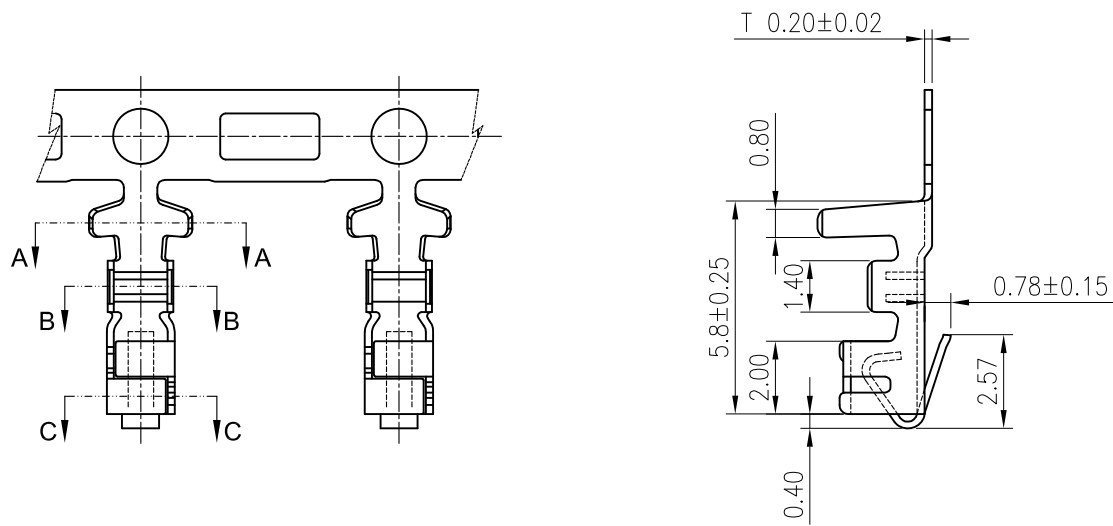
Suitable: KR2501 series Terminal



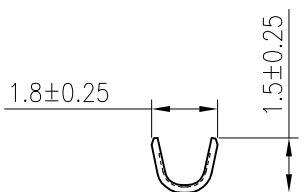
Pin No.	Dimensions	
	A	B
002	2.50	5.70
003	5.00	8.20
004	7.50	10.70
005	10.00	13.20
006	12.50	15.70
007	15.00	18.20
008	17.50	20.70
009	20.00	23.20
010	22.50	25.70
011	25.00	28.20
012	27.50	30.70
013	30.00	33.20
014	32.50	35.70
015	35.00	38.20
016	37.50	40.70

F	$\triangle A03$	Change from PA66 to PBT	ZSZ	2023.5.15	TOLERANCE X.X ±0.30 X.XX ±0.20 X.XXX ±0.10 Angle ±0.5°	TITLE: XH 2.5 No Buckle Housing	DRAWN: Shen 2021.09.29	KONNRA 东莞市康瑞电子有限公司 DongGuan Konnra Electronics CO.,LTD	
	$\triangle A02$	Uniformly arrange the drawings	Shen	2021.09.29			CHECKED:		
	$\triangle A01$	Release of new drawings	ZZN	2021.05.10			APPROVED:		
	MARK	REVISION DESCRIPTION	SIGNATURE	DATE			UNIT:mm SCALE:1:1		SHEET:1/1 PROJECTION \oplus
	1	2	3	4	5	6	7	8	9

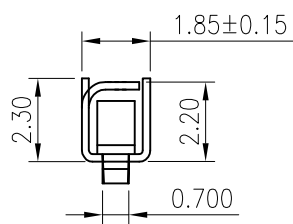
RoHS
COMPLIANT



SECTION A-A



SECTION B-B



SECTION C-C

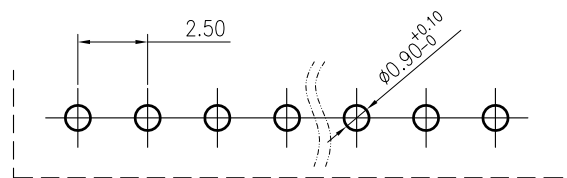
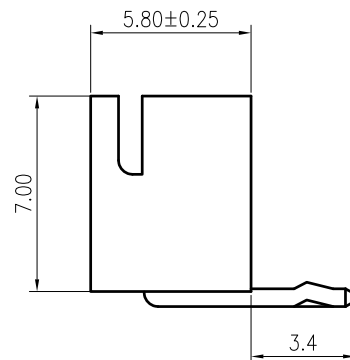
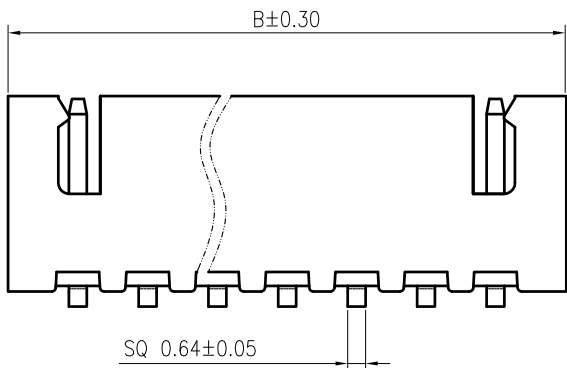
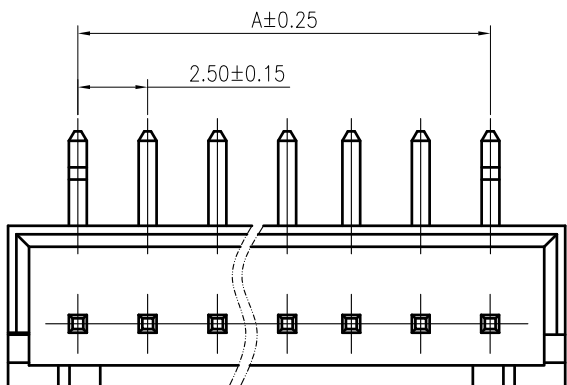
SPECIFICATIONS

1. Current rating: 3A AC, DC
2. Voltage rating: 250V AC, DC
3. Temperature range: -40°C ~ +105°C
4. Insulation resistance: 1000MΩ/ min.
5. Withstanding voltage: 1000V AC/ minute.
6. Contact resistance: 20mΩ/ max.

Material: Phosphor Bronze/Tin plated over nickel
 Applicable wires: AWG #28~#22
 Insulation O.D 1.2~1.8mm Max.
 Suitable KR2501 series housing
 Q'ty/reel: 9,000PCS

F					TOLERANCE	TITLE:	DRAWN:	KONNRA 东莞市康瑞电子有限公司 DongGuan Konnra Electronics CO.,LTD PART NO.: T25010PT0101F VER.: A2 DRAWING NO.: 2501T01-F-S		
					X.X ±0.30	XH2.5 Terminal	CHECKED:			
		Uniformly arrange the drawings	Shen	2022.01.13	X.XX ±0.20		APPROVED:			
MARK	REVISION DESCRIPTION	SIGNATURE	DATE	X.XXX ±0.10	UNIT:mm	SCALE:N/A	SHEET:1/1	PROJECTION		

RoHS
COMPLIANT



Recommended P.C.B. Layout
Total tolerance:±0.05mm

SPECIFICATIONS

1. Current rating: 3A AC, DC
2. Voltage rating:250V AC,DC
3. Temperature range: -40°C ~ +105°C
4. Insulation resistance: 1000MΩ/ min.
5. Withstanding voltage: 1000V AC/ minute.
6. Contact resistance: 20mΩ/ max.

Material:

Insulator: PA66 UL94 V-0
Contact: Brass
Plating: Tin plated over Nickel
Mate with KR2501 series housing

Ordering Code:

C2501RD *** 01 T01 03PD
No.of Circuits 102:02,116:16
Insulator Material 01:PA66 White V0
Plating T01: Tin plated

Circuits	Dimensions		Circuits	Dimensions	
	A	B		A	B
2	2.50	7.50	10	22.50	27.50
3	5.00	10.00	11	25.00	30.00
4	7.50	12.50	12	27.50	32.50
5	10.00	15.00	13	30.00	35.00
6	12.50	17.50	14	32.50	37.50
7	15.00	20.00	15	35.00	40.00
8	17.50	22.50	16	37.50	42.50
9	20.00	25.00			



MARK

Uniformly arrange the drawings
Shen 2022.01.13

REVISION DESCRIPTION SIGNATURE DATE

TOLERANCE
X.X ±0.30
X.XX ±0.20
X.XXX ±0.10
Angle ±2°

TITLE:
XH2.5 DIP 90°
Wafer No
positioning have K

UNIT:mm SCALE:N/A

DRAWN: Shen 2022.01.13

CHECKED:

APPROVED:

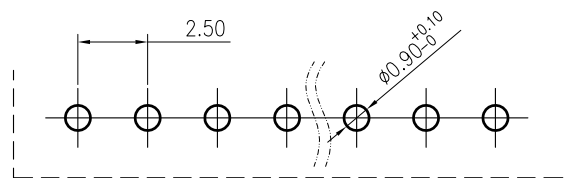
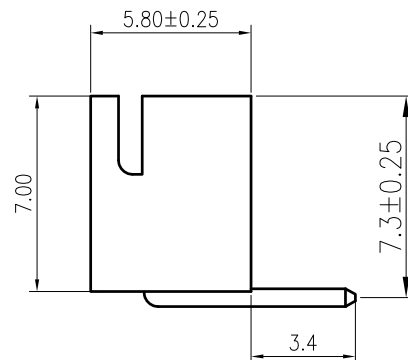
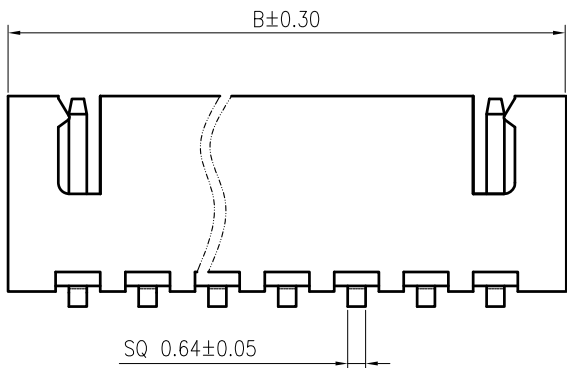
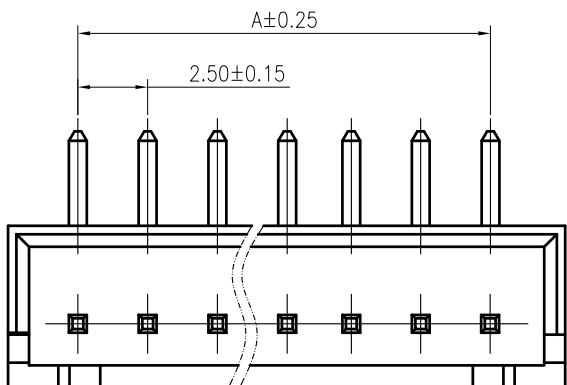
SHEET:1/1 PROJECTION

KONNRA 东莞市康瑞电子有限公司
DongGuan Konnra Electronics Co.,Ltd.

PART NO.:C2501RD***01T0103PD

REV.:A2 DRAWING NO.:2501WRD103-D-S

RoHS
COMPLIANT



Recommended P.C.B. Layout
Total tolerance:±0.05mm

SPECIFICATIONS

1. Current rating: 3A AC, DC
2. Voltage rating:250V AC,DC
3. Temperature range: -40°C ~ +105°C
4. Insulation resistance: 1000MΩ/ min.
5. Withstanding voltage: 1000V AC/ minute.
6. Contact resistance: 20mΩ/ max.

Material:

Insulator: PA66 UL94 V-0
Contact: Brass
Plating: Tin plated over Nickel
Mate with KR2501 series housing

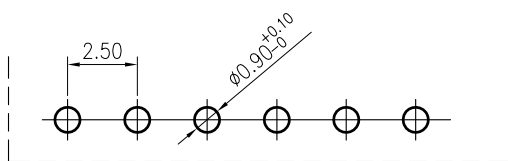
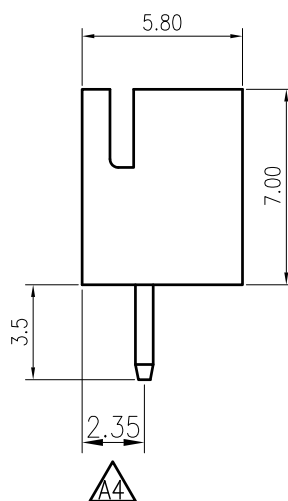
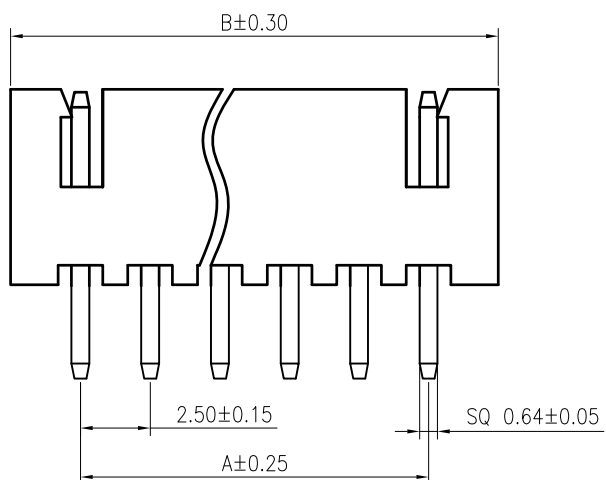
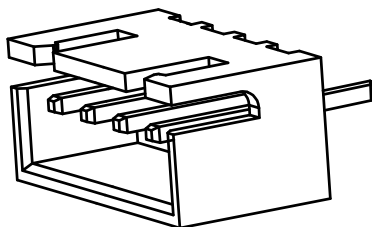
Ordering Code:

C2501RD *** 01 T01 02PD
No.of Circuits 102:02,116:16
Insulator Material 01:PA66 White V0
Plating T01: Tin plated

Circuits	Dimensions		Circuits	Dimensions	
	A	B		A	B
2	2.50	7.50	10	22.50	27.50
3	5.00	10.00	11	25.00	30.00
4	7.50	12.50	12	27.50	32.50
5	10.00	15.00	13	30.00	35.00
6	12.50	17.50	14	32.50	37.50
7	15.00	20.00	15	35.00	40.00
8	17.50	22.50	16	37.50	42.50
9	20.00	25.00			

MARK	REVISION DESCRIPTION	SIGNATURE	DATE	TOLERANCE	TITLE:	DRAWN:	CHECKED:	APPROVED:	REV.:	DRAWING NO.:
A4	Add Dimensions	Shen	2022.01.13	X.X ±0.30	XH2.5 DIP 90° Wafer No positioning No K	Shen 2022.01.13			A4	KONNRA 东莞市康瑞电子有限公司 DongGuan Konnra Electronics Co.,Ltd. PART NO.:C2501RD***01T0102PD 2501WRD102-D-S
A3	Uniformly arrange the drawings	Shen	2022.01.13	X.XX ±0.20						
				X.XXX ±0.10						
				Angle ±2°	UNIT:mm	SCALE:N/A	SHEET:1/1	PROJECTION		

RoHS
COMPLIANT



Recommended P.C.B. Layout
Total tolerance:±0.05mm

SPECIFICATIONS

1. Current rating: 3A AC, DC
2. Voltage rating:250V AC,DC
3. Temperature range: -40°C ~ +105°C
4. Insulation resistance: 1000MΩ/ min.
5. Withstanding voltage: 1000V AC/ minute.
6. Contact resistance: 20mΩ/ max.

Material:

Insulator: PA66 UL94 V-0

Contact: Brass

Plating: Tin plated over Nickel

Mate with KR2501 series housing

Ordering Code:

C2501VD *** 01 T01 02PD
 No.of Circuits 102:02,116:16
 Insulator Material 01:PA66 White V0
 22:PA66 Red V0
 22:PA66 Beige V0
 Plating T01: Tin plated

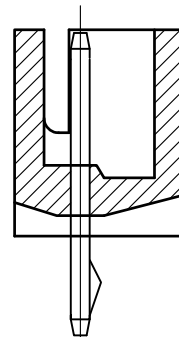
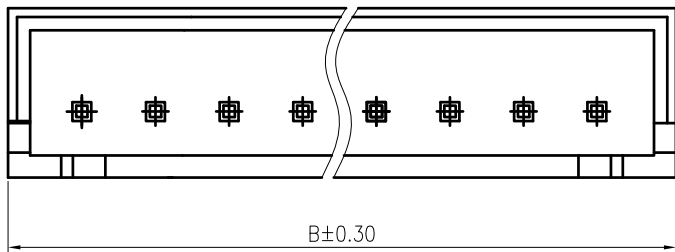
Circuits	Dimensions		Circuits	Dimensions	
	A	B		A	B
2	2.50	7.50	10	22.50	27.50
3	5.00	10.00	11	25.00	30.00
4	7.50	12.50	12	27.50	32.50
5	10.00	15.00	13	30.00	35.00
6	12.50	17.50	14	32.50	37.50
7	15.00	20.00	15	35.00	40.00
8	17.50	22.50	16	37.50	42.50
9	20.00	25.00			

MARK	REVISION DESCRIPTION	SIGNATURE	DATE	TOLERANCE	TITLE:	DRAWN:	CHECKED:	APPROVED:	UNIT:mm	SCALE:N/A	SHEET:1/1	PROJECTION	REV.:A4	DRAWING NO.:2501WVD102-D-S	
A4	Add Dimensions	ZSZ	2022.06.13	X.X ±0.30	XH2.5 DIP 180° Wafer No K	Shen 2022.01.13									
A3	Uniformly arrange the drawings	Shen	2022.01.13	X.XX ±0.20											
				X.XXX ±0.10											
				Angle ±2°											

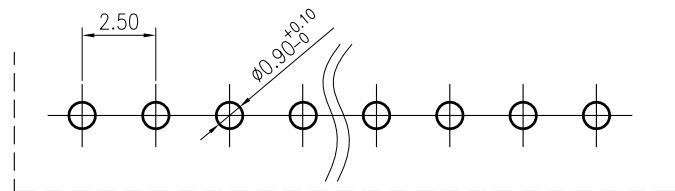
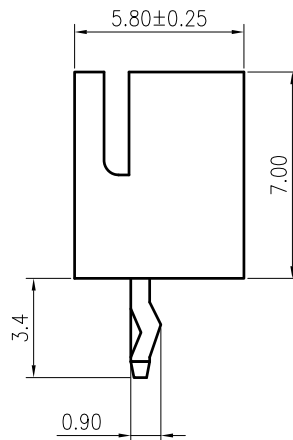
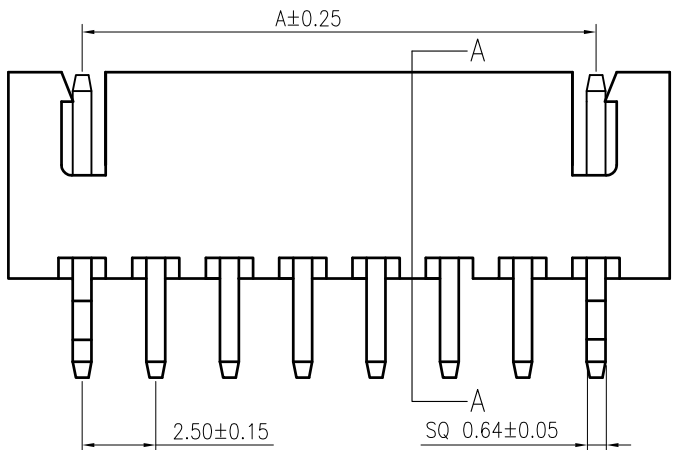
KONNRA 东莞市康瑞电子有限公司
DongGuan Konnra Electronics Co.,Ltd.

PART NO.:C2501VD***01T0102PD

RoHS
COMPLIANT



SECTION A-A



Recommended P.C.B. Layout
Total tolerance:±0.05mm

SPECIFICATIONS

1. Current rating: 3A AC, DC
2. Voltage rating:250V AC,DC
3. Temperature range: -40°C ~ +105°C
4. Insulation resistance: 1000MΩ/ min.
5. Withstanding voltage: 1000V AC/ minute.
6. Contact resistance: 20mΩ/ max.

Material:

Insulator: PA66 UL94 V-0

Contact: Brass

Plating: Tin plated over Nickel

Mate with KR2501 series housing

Ordering Code:

C2501VD *** 01 T01 01PD

No.of Circuits

102:02,116:16

Insulator Material

01:PA66 White V0

Plating

T01: Tin plated

Circuits	Dimensions		Circuits	Dimensions	
	A	B		A	B
2	2.50	7.50	10	22.50	27.50
3	5.00	10.00	11	25.00	30.00
4	7.50	12.50	12	27.50	32.50
5	10.00	15.00	13	30.00	35.00
6	12.50	17.50	14	32.50	37.50
7	15.00	20.00	15	35.00	40.00
8	17.50	22.50	16	37.50	42.50
9	20.00	25.00			

TOLERANCE

X.X ±0.30

X.XX ±0.20

X.XXX ±0.10

Angle ±2°

TITLE:

XH2.5 DIP 180°

Wafer Have K

DRAWN: Shen 2022.01.13

CHECKED:

APPROVED:

KONNRA 东莞市康瑞电子有限公司

DongGuan Konnra Electronics Co.,Ltd.

PART NO.: C2501VD***01T0101PD



Uniformly arrange the drawings

Shen

2022.01.13

MARK

REVISION DESCRIPTION

SIGNATURE

DATE

UNIT:mm

SCALE:N/A

SHEET:1/1

PROJECTION

REV.:A3

DRAWING NO.:2501WVD101-D-S

1

2

3

4

5

6

7

8

9

RoHS
COMPLIANT

◆ SPECIFICATIONS

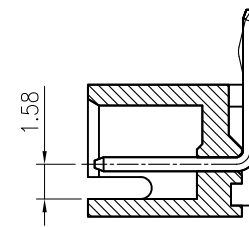
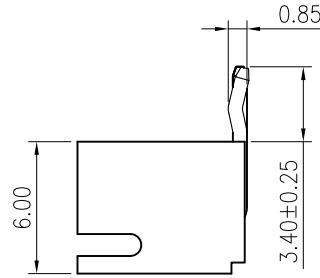
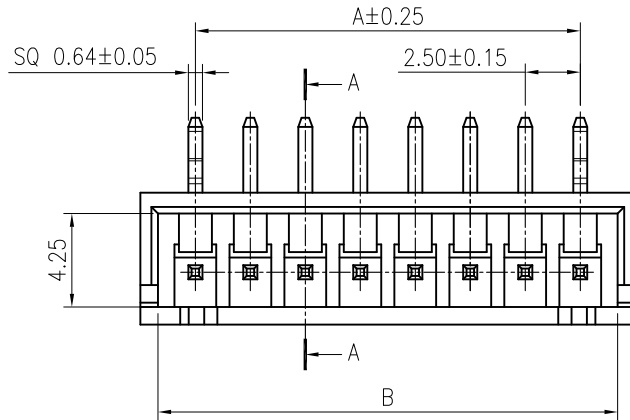
- Current rating: 3A AC, DC
- Voltage rating: 250V AC, DC
- Temperature range: -40°C ~ +105°C
- Insulation resistance: 1000MΩ Min.
- Withstanding voltage: 1000V AC/ minute.
- Contact resistance: 20mΩ Max.

Material:

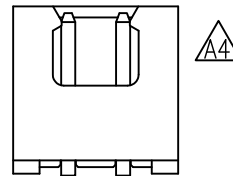
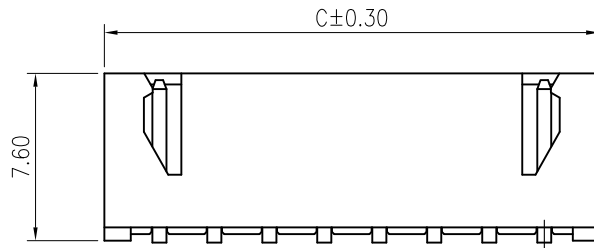
Insulator: PA9T UL 94V-0
Contact: Brass
Plating: Tin plated over Nickel
Circuits: 2~16
Mates: KR2501 series Housing

Ordering code:

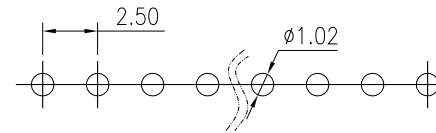
C2501RD *** 11 T0101PA
102: 2P
116: 16P
11: PA9T Natural



SECTION A-A



2 PIN



Recommended P.C.B. Layout
Total tolerance: ±0.05mm

PIN NO.	DIMENSIONS		
	A	B	C
2P	2.50	5.90	7.50
3P	5.00	8.40	10.00
4P	7.50	10.90	12.50
5P	10.00	13.40	15.00
6P	12.50	15.90	17.50
7P	15.00	18.40	20.00
8P	17.50	20.90	22.50
9P	20.00	23.40	25.00
10P	22.50	25.90	27.50
11P	25.00	28.40	30.00
12P	27.50	30.90	32.50
13P	30.00	33.40	35.00
14P	32.50	35.90	37.50
15P	35.00	38.40	40.00
16P	37.50	40.90	42.50

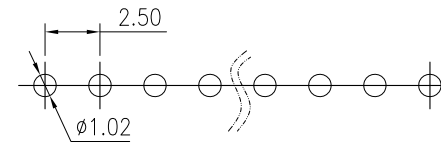
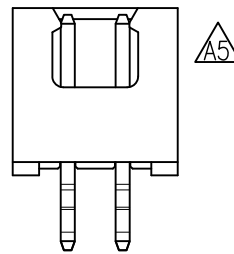
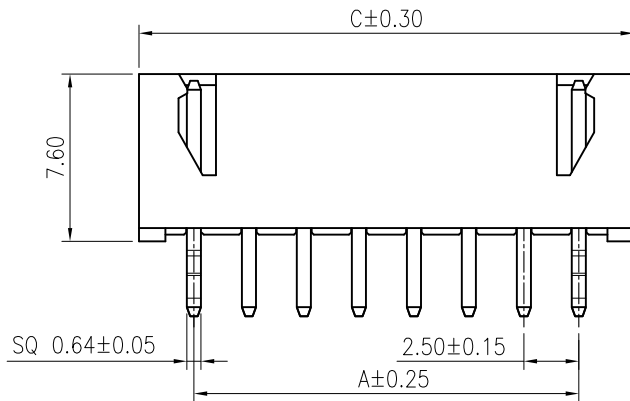
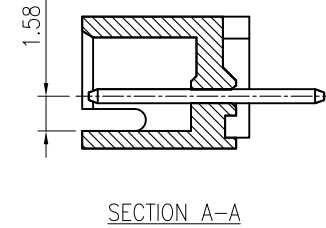
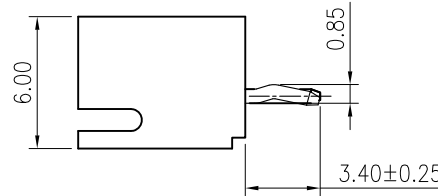
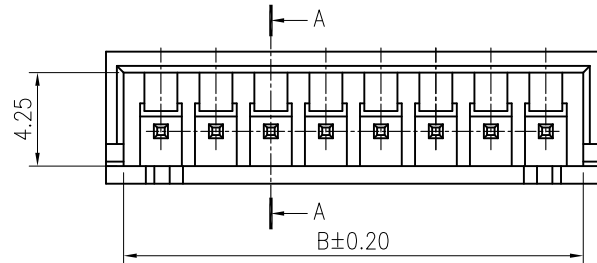
F	Correct 2P view	Arvin	2022.09.28	TOLERANCE X.X ±0.30 X.XX ±0.20 X.XXX ±0.10 Angle ±2°	TITLE: XH2.5 DIP 90° WF Strike K	DRAWN: <i>Arvin 2021.09.22</i>		KONNRA 东莞市康瑞电子有限公司	
	Change material description	ZSZ	2022.02.18			CHECKED:		DongGuan Konnra Electronics Co.,Ltd.	
	Uniformly arrange the drawings	ZSZ	2021.09.22			APPROVED:		PART NO.: C2501RD***11T0101PA	
	LTR	REVISION DESCRIPTION	SIGNATURE			DATE	UNIT:mm	SCALE:N/A	SHEET:1/1

RoHS
COMPLIANT

- ◆ SPECIFICATIONS
- Current rating: 3A AC, DC
 - Voltage rating: 250V AC, DC
 - Temperature range: -40°C ~ +105°C
 - Insulation resistance: 1000MΩ Min.
 - Withstanding voltage: 1000V AC/ minute.
 - Contact resistance: 20m Ω Max.

Material:
 Insulator: PA9T UL 94V-0
 Contact: Brass
 Plating: Tin plated over Nickel
 Circuits: 2~16
 Mates: KR2501 series Housing

Ordering code:
 C2501VD *** 11 T0101PA
 102: 2P
 116: 16P
 11: PA9T Natural



Recommended P.C.B. Layout
 Total tolerance: ±0.05mm

PIN NO.	DIMENSIONS		
	A	B	C
2P	2.50	5.90	7.50
3P	5.00	8.40	10.00
4P	7.50	10.90	12.50
5P	10.00	13.40	15.00
6P	12.50	15.90	17.50
7P	15.00	18.40	20.00
8P	17.50	20.90	22.50
9P	20.00	23.40	25.00
10P	22.50	25.90	27.50
11P	25.00	28.40	30.00
12P	27.50	30.90	32.50
13P	30.00	33.40	35.00
14P	32.50	35.90	37.50
15P	35.00	38.40	40.00
16P	37.50	40.90	42.50

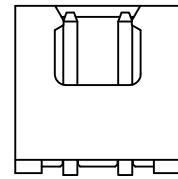
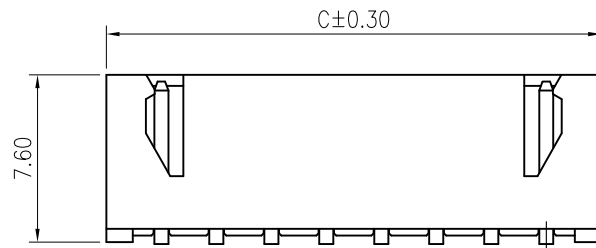
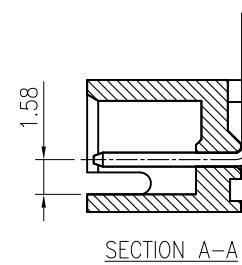
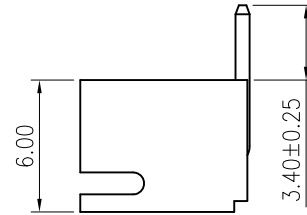
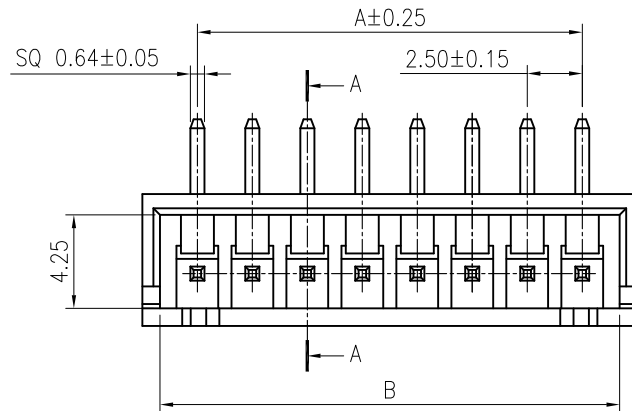
F	△5	Correct 2P view	Arvin	2022.09.28	TOLERANCE X.X ±0.30 X.XX ±0.20 X.XXX ±0.10 Angle ±2°	TITLE: XH2.5 DIP 180° Wafer Strike K	DRAWN: <i>Arvin 2021.09.22</i>	KONNRA 东莞市康瑞电子有限公司 DongGuan Konnra Electronics Co.,Ltd.		
	△4	Change material description	ZSZ	2022.02.18						
	△3	Uniformly arrange the drawings	ZSZ	2021.09.22						
	LTR	REVISION DESCRIPTION	SIGNATURE	DATE						
	1	2	3	4	UNIT:mm	SCALE:N/A	SHEET:1/1	PROJECTION	VER.:A5	DRAWING NO.:2501WVD101-A-S

RoHS
COMPLIANT

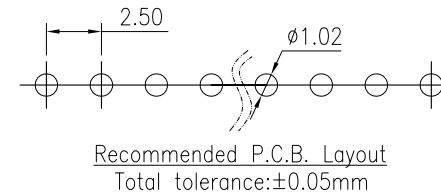
- ◆ SPECIFICATIONS
- Current rating: 3A AC, DC
 - Voltage rating: 250V AC, DC
 - Temperature range: -40°C ~ +105°C
 - Insulation resistance: 1000MΩ Min.
 - Withstanding voltage: 1000V AC/ minute.
 - Contact resistance: 20mΩ Max.

Material:
 Insulator: PA9T UL 94V-0
 Contact: Brass
 Plating: Tin plated over Nickel
 Circuits: 2~16
 Mates: KR2501 series Housing

Ordering code:
 C2501RD *** 11 T0102PA
 102: 2P
 116: 16P
 11: PA9T Natural



2 PIN



PIN NO.	DIMENSIONS		
	A	B	C
2P	2.50	5.90	7.50
3P	5.00	8.40	10.00
4P	7.50	10.90	12.50
5P	10.00	13.40	15.00
6P	12.50	15.90	17.50
7P	15.00	18.40	20.00
8P	17.50	20.90	22.50
9P	20.00	23.40	25.00
10P	22.50	25.90	27.50
11P	25.00	28.40	30.00
12P	27.50	30.90	32.50
13P	30.00	33.40	35.00
14P	32.50	35.90	37.50
15P	35.00	38.40	40.00
16P	37.50	40.90	42.50

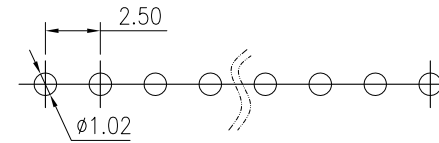
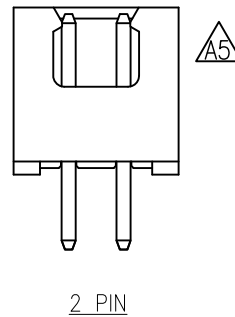
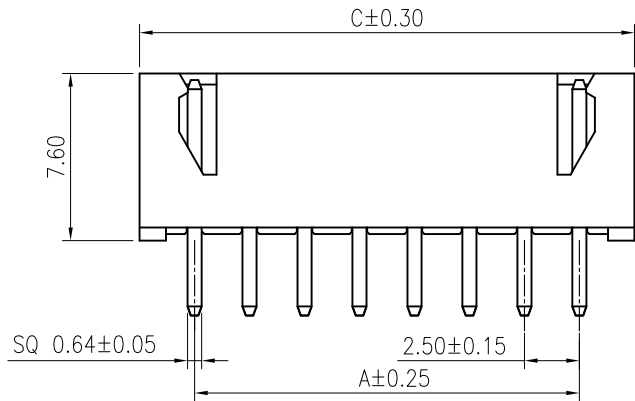
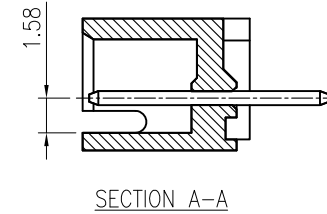
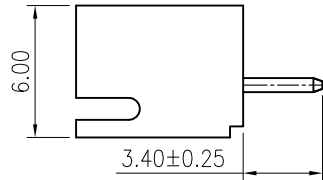
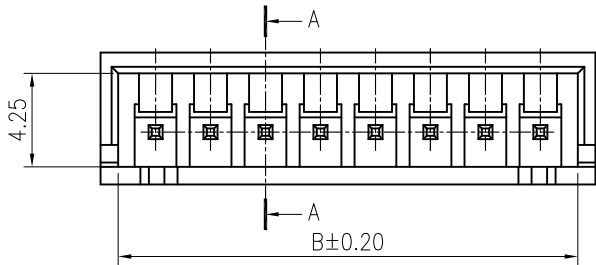
F		Correct 2P view	Arvin	2022.09.28	TOLERANCE X.X ±0.30 X.XX ±0.20 X.XXX ±0.10 Angle ±2°	TITLE: XH2.5 DIP 90° WF No K	DRAWN: <i>Arvin 2021.09.22</i>	KONNRA 东莞市康瑞电子有限公司 DongGuan Konnra Electronics Co.,Ltd.	
		Change material description	ZSZ	2022.02.18					
		Uniformly arrange the drawings	ZSZ	2021.09.22					
LTR	REVISION DESCRIPTION	SIGNATURE	DATE	UNIT:mm	SCALE:N/A	SHEET:1/1	PROJECTION	VER.:A4	DRAWING NO.:2501WRD102-A-S

RoHS
COMPLIANT

- ◆ SPECIFICATIONS
- Current rating: 3A AC, DC
 - Voltage rating: 250V AC, DC
 - Temperature range: -40°C ~ +105°C
 - Insulation resistance: 1000MΩ Min.
 - Withstanding voltage: 1000V AC/ minute.
 - Contact resistance: 20mΩ Max.

Material:
 Insulator: PA9T UL 94V-0
 Contact: Brass
 Plating: Tin plated over Nickel
 Circuits: 2~16
 Mates: KR2501 series Housing

Ordering code:
 C2501VD *** 11 T0102PA
 102: 2P
 116: 16P
 11: PA9T Natural



Recommended P.C.B. Layout
 Total tolerance: ±0.05mm

PIN NO.	DIMENSIONS		
	A	B	C
2P	2.50	5.90	7.50
3P	5.00	8.40	10.00
4P	7.50	10.90	12.50
5P	10.00	13.40	15.00
6P	12.50	15.90	17.50
7P	15.00	18.40	20.00
8P	17.50	20.90	22.50
9P	20.00	23.40	25.00
10P	22.50	25.90	27.50
11P	25.00	28.40	30.00
12P	27.50	30.90	32.50
13P	30.00	33.40	35.00
14P	32.50	35.90	37.50
15P	35.00	38.40	40.00
16P	37.50	40.90	42.50

REVISION	DESCRIPTION	SIGNATURE	DATE	TOLERANCE	TITLE	DRAWN	CHECKED	APPROVED	PART NO.	VER.	DRAWING NO.
A5	Correct 2P view	Arvin	2022.09.27	X.X ±0.30	XH2.5 DIP 180° Wafer No K	Arvin 2021.09.22			C2501VD***11T0102PA	A5	2501WVD102-A-S
A4	Change material description	ZSZ	2022.02.18	X.XX ±0.20							
A3	Uniformly arrange the drawings	ZSZ	2021.09.22	X.XXX ±0.10							
LTR				Angle ±2°		UNIT:mm	SCALE:N/A	SHEET:1/1			

KONNRA 东莞市康瑞电子有限公司
 DongGuan Konnra Electronics Co.,Ltd.

PART NO.: C2501VD***11T0102PA
 VER.: A5
 DRAWING NO.: 2501WVD102-A-S

RoHS
COMPLIANT

◆ SPECIFICATIONS

- Current rating: 3A AC, DC
- Voltage rating: 250V AC,DC
- Temperature range: -40°C ~ +105°C
- Insulation resistance: 1000MΩ Min.
- Withstanding voltage: 1000V AC/ minute.
- Contact resistance: 20mΩ Max.

Material:

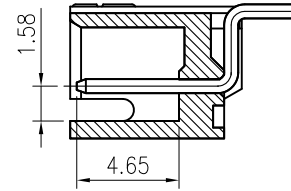
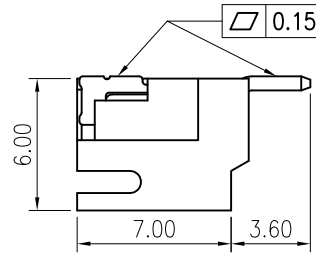
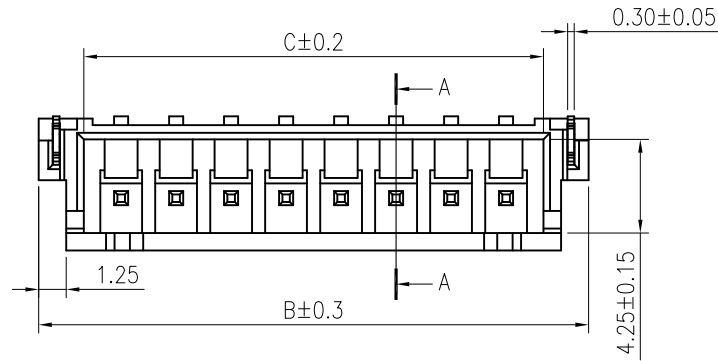
Insulator: Nylon 9T UL 94V-0
 Contact: Brass
 Solder Nail: Brass
 Plating: Tin plated over Nickel
 Circuits: 2~16
 Mates: KR2501 series Housing

Ordering code:

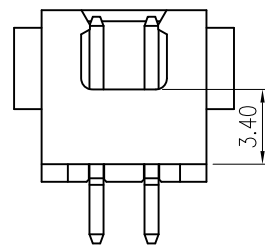
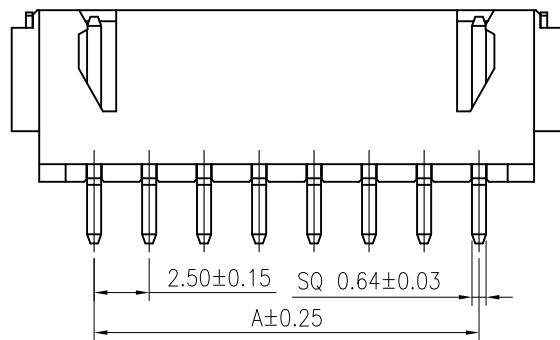
C2501RS *** 11 M0101RA

102:2P
 116:16P

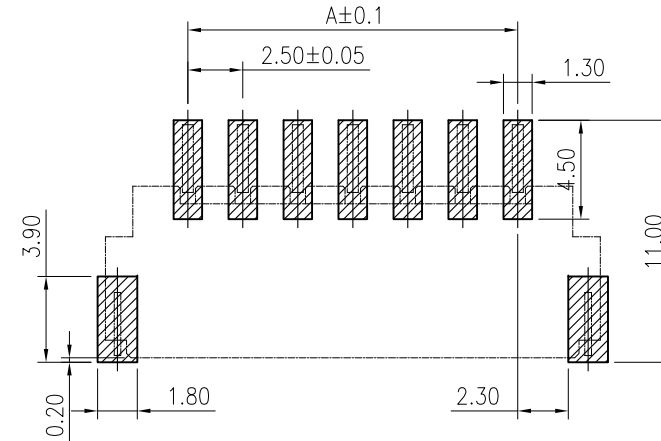
11=PA9T Natural
 12=PA9T Black



SECTION A-A



2 Circuits

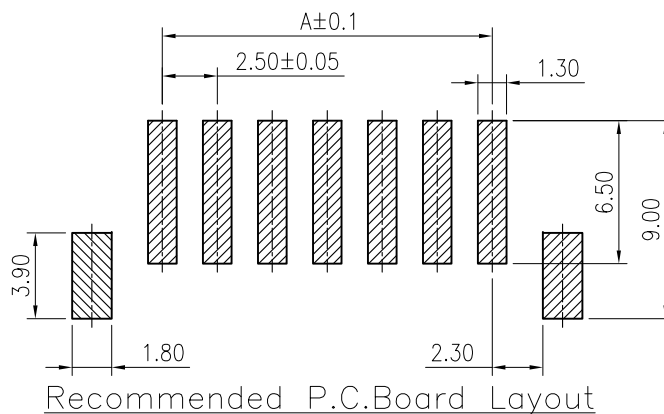
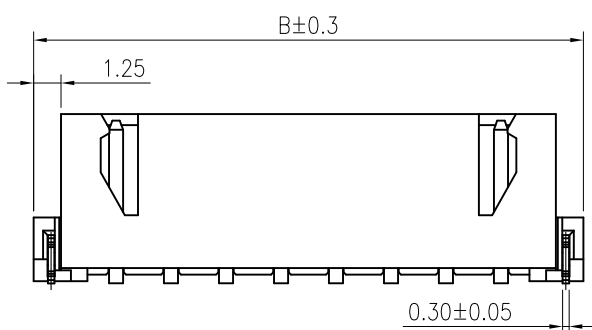
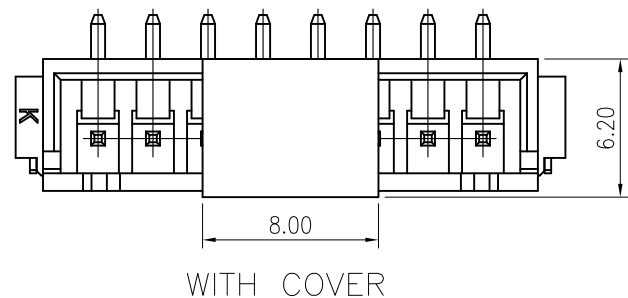
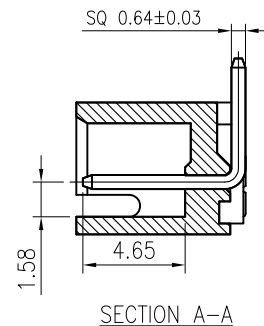
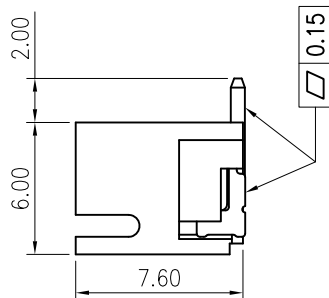
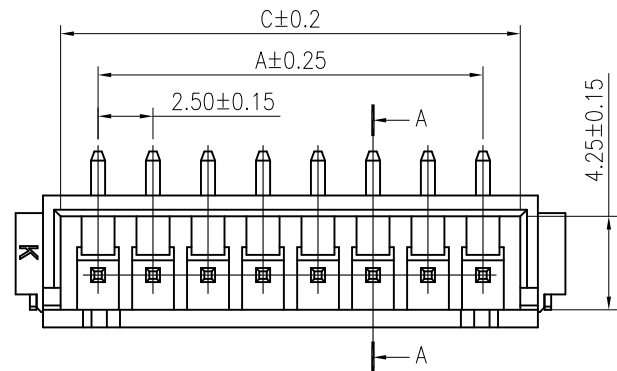


Recommended P.C.Board Layout

CKT.	Dimension		
	A	B	C
2	2.50	10.00	5.90
3	5.00	12.50	8.40
4	7.50	15.00	10.90
5	10.00	17.50	13.40
6	12.50	20.00	15.90
7	15.00	22.50	18.40
8	17.50	25.00	20.90
9	20.00	27.50	23.40
10	22.50	30.00	25.90
11	25.00	32.50	28.40
12	27.50	35.00	30.90
13	30.00	37.50	33.40
14	32.50	40.00	35.90
15	35.00	42.50	38.40
16	37.50	45.00	40.90

F		Uniformly arrange the drawings	ZSZ	2021.09.22	TOLERANCE X.X ±0.30 X.XX ±0.20 X.XXX ±0.10 Angle ±2°	TITLE: XH2.5 SMT 90° WF	DRAWN: <i>Arvin 2020.01.17</i>	KONNRA 东莞市康瑞电子有限公司		
		Modify Size	Arvin	2020.05.27				DongGuan Konnra Electronics Co.,Ltd.		
	LTR	REVISION DESCRIPTION	SIGNATURE	DATE				UNIT:mm	SCALE:N/A	SHEET:1/1
	1	2	3	4	5	6	7	8	9	

RoHS
COMPLIANT



- ◆ SPECIFICATIONS
- Current rating: 3A AC, DC
 - Voltage rating: 250V AC, DC
 - Temperature range: -40°C ~ +105°C
 - Insulation resistance: 1000MΩ Min.
 - Withstanding voltage: 1000V AC/ minute.
 - Contact resistance: 20m Ω Max.

Material:
 Insulator: Nylon 9T/LCP UL 94V-0
 Contact: Brass
 Solder Nail: Brass
 Plating: Tin plated over Nickel
 Circuits: 2~16
 Mates: KR2501 series Housing

Ordering code:
 C2501VS1**11M0101RA
 102:2P
 116:16P
 11=PA9T Natural

CKT.	Dimension		
	A	B	C
02	2.50	10.00	5.90
03	5.00	12.50	8.40
04	7.50	15.00	10.90
05	10.00	17.50	13.40
06	12.50	20.00	15.90
07	15.00	22.50	18.40
08	17.50	25.00	20.90
09	20.00	27.50	23.40
10	22.50	30.00	25.90
11	25.00	32.50	28.40
12	27.50	35.00	30.90
13	30.00	37.50	33.40
14	32.50	40.00	35.90
15	35.00	42.50	38.40
16	37.50	45.00	40.90

F				TOLERANCE	TITLE:	DRAWN:	KONNRA 东莞市康瑞电子有限公司 DongGuan Konnra Electronics Co.,Ltd.			
		Uniformly arrange the drawings	ZSZ	2021.09.22	XH2.5 SMT 180° WF	CHECKED:				
		Change the part number and frame format	Arvin	2020.01.16		APPROVED:				
	LTR	REVISION DESCRIPTION	SIGNATURE	DATE	Angle ±2°	UNIT:mm		SCALE:N/A	SHEET:1/1	PROJECTION

RoHS
COMPLIANT

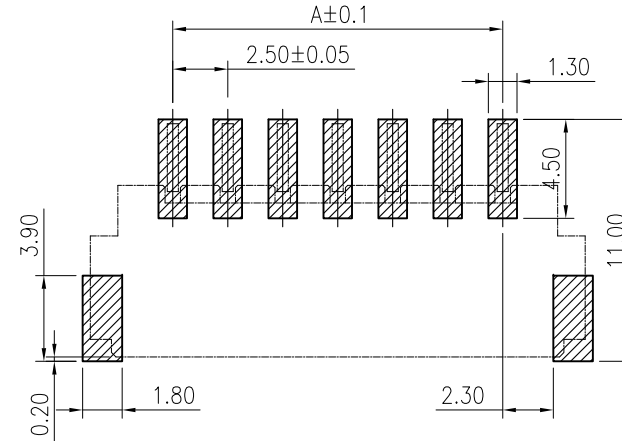
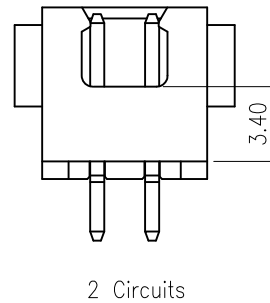
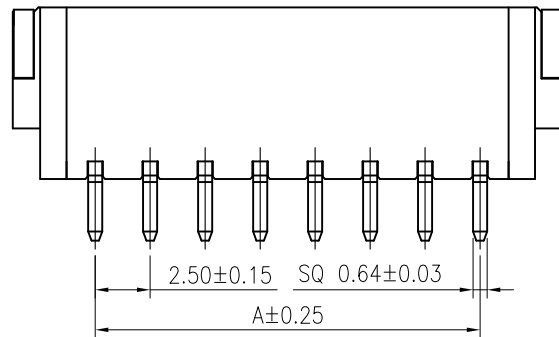
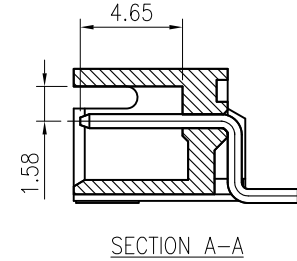
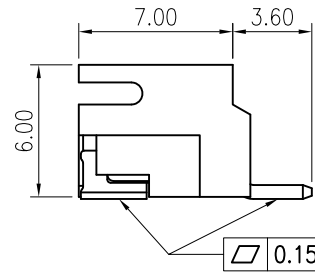
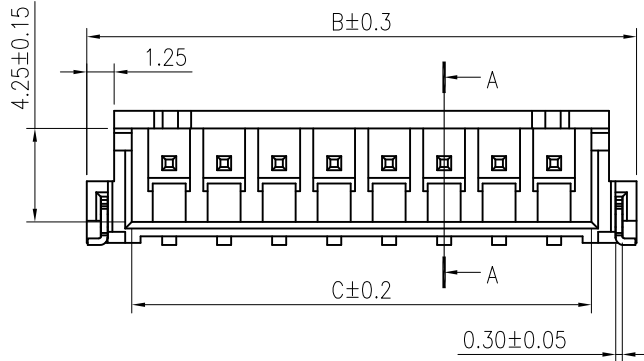
- ◆ SPECIFICATIONS
- Current rating: 3A AC, DC
 - Voltage rating: 250V AC, DC
 - Temperature range: -40°C ~ +105°C
 - Insulation resistance: 1000MΩ Min.
 - Withstanding voltage: 1000V AC/ minute.
 - Contact resistance: 20m Ω Max.

Material:

Insulator: Nylon 9T UL 94V-0
Contact: Brass
Solder Nail: Brass
Plating: Tin plated over Nickel
Circuits: 2~16
Mates: KR2502 series Housing

Ordering code:

C25021S *** 11 M0111RA
102:2P
116:16P
11=PA9T Natural
12=PA9T Black

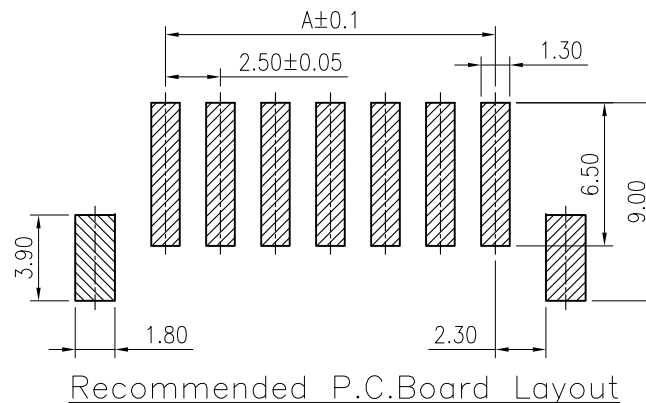
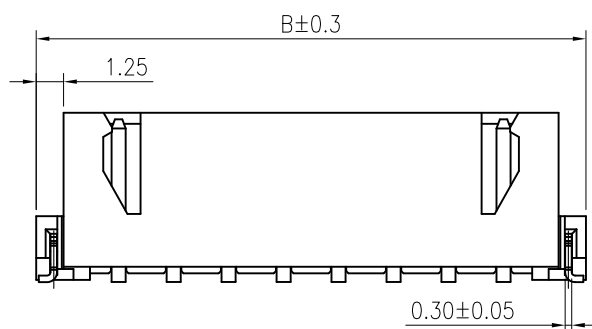
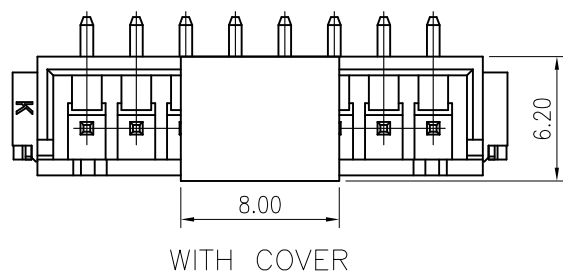
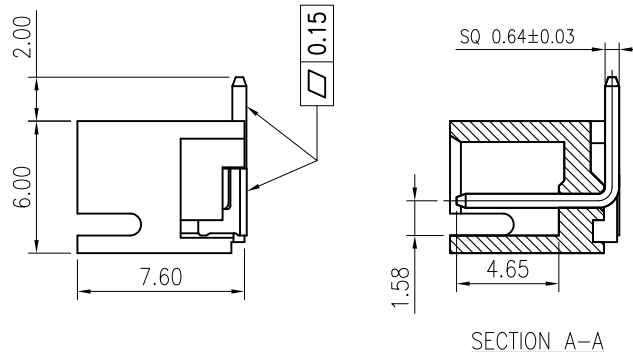
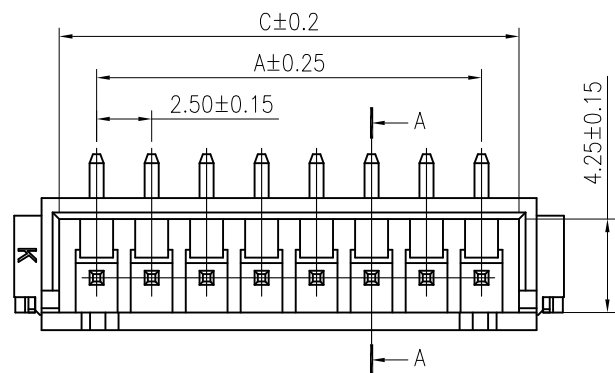


Recommended P.C.Board Layout

CKT.	Dimension		
	A	B	C
2	2.50	10.00	5.90
3	5.00	12.50	8.40
4	7.50	15.00	10.90
5	10.00	17.50	13.40
6	12.50	20.00	15.90
7	15.00	22.50	18.40
8	17.50	25.00	20.90
9	20.00	27.50	23.40
10	22.50	30.00	25.90
11	25.00	32.50	28.40
12	27.50	35.00	30.90
13	30.00	37.50	33.40
14	32.50	40.00	35.90
15	35.00	42.50	38.40
16	37.50	45.00	40.90

F		Uniformly arrange the drawings	ZSZ	2021.09.22	TOLERANCE X.X ±0.30 X.XX ±0.20 X.XXX ±0.10 Angle ±2°	TITLE: XH2.5 SMT 90° WF B Type	DRAWN: <i>Arwin 2021.09.22</i>	KONNRA 东莞市康瑞电子有限公司 DongGuan Konnra Electronics Co.,Ltd.
		Release of new drawings	Cai	2020.08.21				
	LTR	REVISION DESCRIPTION	SIGNATURE	DATE				
1	2	3	4	5	6	7	8	9

RoHS
COMPLIANT



- ◆ SPECIFICATIONS
- Current rating: 3A AC, DC
 - Voltage rating: 250V AC, DC
 - Temperature range: -40°C ~ +105°C
 - Insulation resistance: 1000MΩ Min.
 - Withstanding voltage: 1000V AC/ minute.
 - Contact resistance: 20mΩ Max.

Material:
 Insulator: Nylon 9T/LCP UL 94V-0
 Contact: Brass
 Solder Nail: Brass
 Plating: Tin plated over Nickel
 Circuits: 2~16
 Mates: KR2501 series Housing

Ordering code:
 C2501VS1**11M0111RA
 102:2P
 116:16P
 11=PA9T Natural

CKT.	Dimension		
	A	B	C
02	2.50	10.00	5.90
03	5.00	12.50	8.40
04	7.50	15.00	10.90
05	10.00	17.50	13.40
06	12.50	20.00	15.90
07	15.00	22.50	18.40
08	17.50	25.00	20.90
09	20.00	27.50	23.40
10	22.50	30.00	25.90
11	25.00	32.50	28.40
12	27.50	35.00	30.90
13	30.00	37.50	33.40
14	32.50	40.00	35.90
15	35.00	42.50	38.40
16	37.50	45.00	40.90

F		Uniformly arrange the drawings	ZSZ	2021.09.22	TOLERANCE X.X ±0.30 X.XX ±0.20 X.XXX ±0.10 Angle ±2°	TITLE: XH2.5 SMT 180° WF B Type	DRAWN: <i>Arwin 2021.09.22</i>		KONNRA 东莞市康瑞电子有限公司	
		Release of new drawings	Cai	2020.08.21			CHECKED:		DongGuan Konnra Electronics Co.,Ltd.	
	LTR	REVISION DESCRIPTION	SIGNATURE	DATE			APPROVED:		PART NO.: C2501VS***11M0111RA	
	1	2	3	4			UNIT:mm	SCALE:N/A	SHEET:1/1	PROJECTION