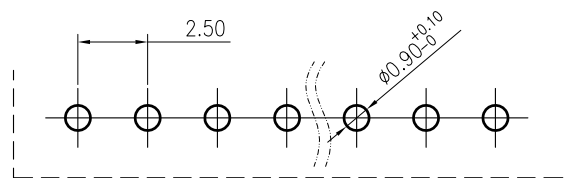
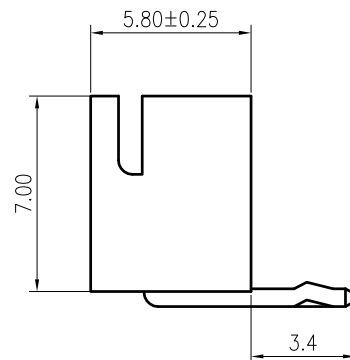
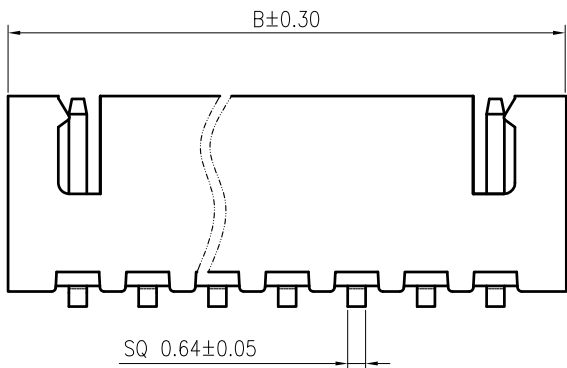
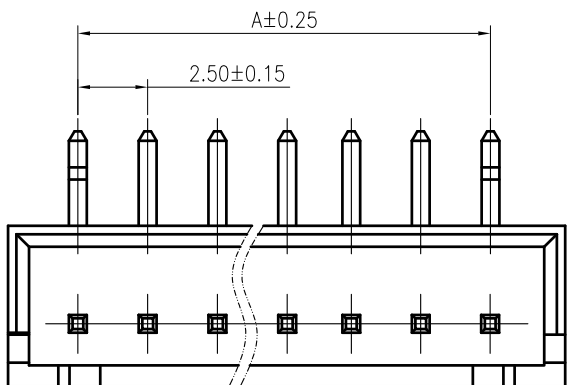


**RoHS**  
COMPLIANT



Recommended P.C.B. Layout  
Total tolerance: ±0.05mm

**SPECIFICATIONS**

1. Current rating: 3A AC, DC
2. Voltage rating: 250V AC, DC
3. Temperature range: -40°C ~ +105°C
4. Insulation resistance: 1000MΩ/ min.
5. Withstanding voltage: 1000V AC/ minute.
6. Contact resistance: 20mΩ/ max.

**Material:**

Insulator: PA66 UL94 V-0  
Contact: Brass  
Plating: Tin plated over Nickel  
Mate with KR2501 series housing

**Ordering Code:**

C2501RD \*\*\* 01 T01 03PD  
No. of Circuits 102:02,116:16  
Insulator Material 01:PA66 White V0  
Plating T01: Tin plated

Circuits	Dimensions		Circuits	Dimensions	
	A	B		A	B
2	2.50	7.50	10	22.50	27.50
3	5.00	10.00	11	25.00	30.00
4	7.50	12.50	12	27.50	32.50
5	10.00	15.00	13	30.00	35.00
6	12.50	17.50	14	32.50	37.50
7	15.00	20.00	15	35.00	40.00
8	17.50	22.50	16	37.50	42.50
9	20.00	25.00			



MARK

1

2

3

4

5

6

7

8

9

TOLERANCE

X.X ±0.30  
X.XX ±0.20  
X.XXX ±0.10  
Angle ±2°

TITLE:  
XH2.5 DIP 90°  
Wafer No  
positioning have K

UNIT:mm SCALE:N/A

DRAWN: Shen 2022.01.13

CHECKED:

APPROVED:

SHEET: 1/1 PROJECTION

**KONNRA** 东莞市康瑞电子有限公司  
DongGuan Konnra Electronics Co.,Ltd.

PART NO.: C2501RD\*\*\*01T0103PD

REV.: A2 DRAWING NO.: 2501WRD103-D-S