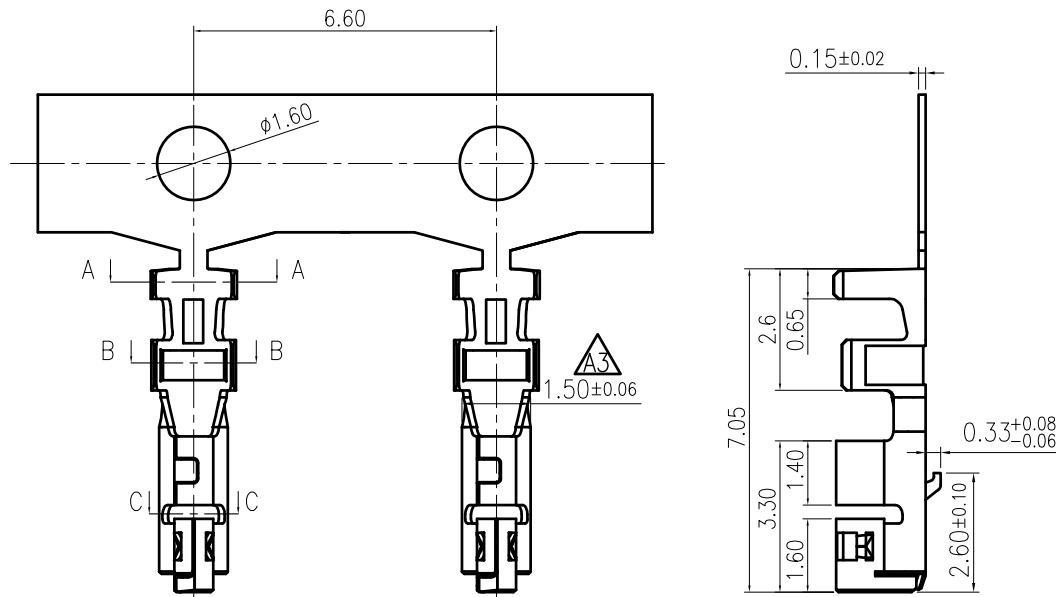


**RoHS**  
COMPLIANT



**SPECIFICATIONS**

1. Current rating: 3A(22AWG,0.35mm<sup>2</sup>) AC, DC
2. Voltage rating: 125V AC,DC
3. Temperature range: -40°C ~ +125°C
4. Insulation resistance:1000 MΩ Min.
5. Withstanding voltage: 500V AC/ minute.
6. Contact resistance: 10mΩ Max.

**Applicable Wires:**

AWG#22,0.35mm<sup>2</sup>

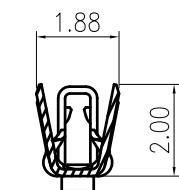
Insulation O.D. : 1.40mm MAX

Material: Phosphor Bronze

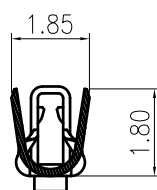
Plating: Tin plated over nickel

Suitable KR2017 Series housing

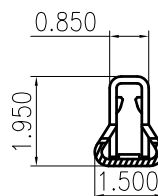
Q'ty/Reel: 10,000 PCS



SECTION A-A



SECTION B-B



SECTION C-C



Updated riveted wire specifications

ZSZ

2023.05.05

TOLERANCE

TITLE: MX2.0 Inner buckle Terminal

DRAWN: Arvin 2020.12.25

**KONNRA** 东莞市康瑞电子有限公司



Add Dimensions

Arvin

2021.12.30

X.X ±0.30

CHECKED:

DongGuan Konnra Electronics Co.,Ltd.



Uniformly arrange the drawings

ZSZ

2021.09.17

X.XX ±0.20

APPROVED:

PART NO.: T20170PT0101A

MARK

REVISION DESCRIPTION

SIGNATURE

DATE

X.XXX ±0.10

UNIT:mm SCALE:N/A

SHEET:1/1

PROJECTION

REV.:A4

DRAWING NO.:2017T101-A-S

Angle ±2°

1

2

3

4

5

6

7

8

9