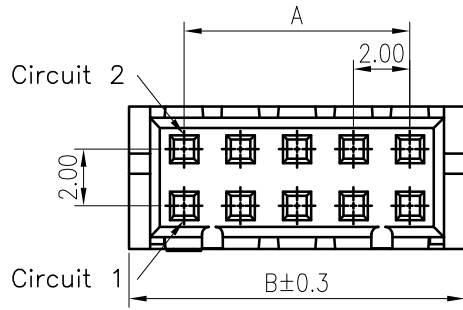


RoHS
COMPLIANT



Ordering Code:

H20050 *** ** 01B

No. of Circuits

202:2x2,215:2x15

Insulator Material

01:PA66 White V0

03:PA66 White V2

20:PA66 Red V0

32:PA66 Red V2

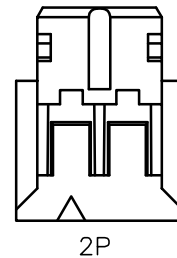
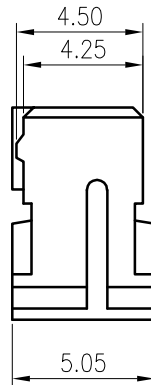
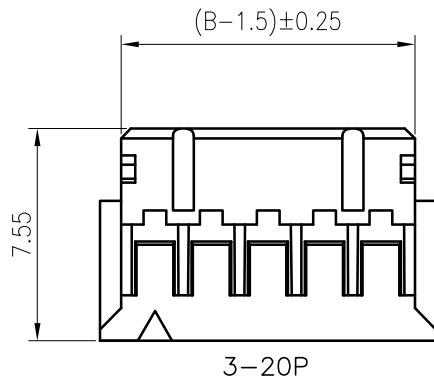
SPECIFICATIONS

1. Current rating: 3A AC, DC
2. Voltage rating:250V AC,DC
3. Temperature range: -40°C ~ +105°C
4. Insulation resistance: 1000MΩ/ min.
5. Withstanding voltage: 800V AC/ minute.
6. Contact resistance: 20mΩ/ max.

Material: PA66 UL 94V-0

Suitable KR2005 series terminal

Mate with KR2005 series wafer



Circuits	Dimensions		Circuits	Dimensions	
	A	B		A	B
2x2	2.00	5.90	2x12	22.00	25.90
2x3	4.00	7.90	2x13	24.00	27.90
2x4	6.00	9.90	2x14	26.00	29.90
2x5	8.00	11.90	2x15	28.00	31.90
2x6	10.00	13.90	2x16	30.00	33.90
2x7	12.00	15.90	2x17	32.00	35.90
2x8	14.00	17.90	2x18	34.00	37.90
2x9	16.00	19.90	2x19	36.00	39.90
2x10	18.00	21.90	2x20	38.00	41.90
2x11	20.00	23.90			



MARK

1

2

3

4

5

6

7

8

9

TOLERANCE

X. X ±0.30

X. XX ±0.20

X. XXX ±0.10

Angle ±2°

TITLE:
PHD2.0 Housing

UNIT: mm

SCALE: N/A

DRAWN: Arvin 2020.06.02

CHECKED:

APPROVED:

SHEET: 1/1

PROJECTION

KONNRA 东莞市康瑞电子有限公司
DongGuan Konnra Electronics Co., Ltd.

PART NO. : H20050*****01B

REV. : A1

DRAWING NO. : 2005H201-B-S