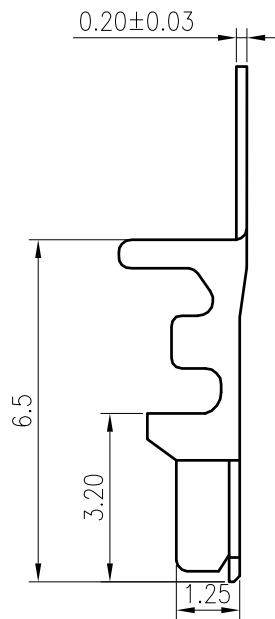
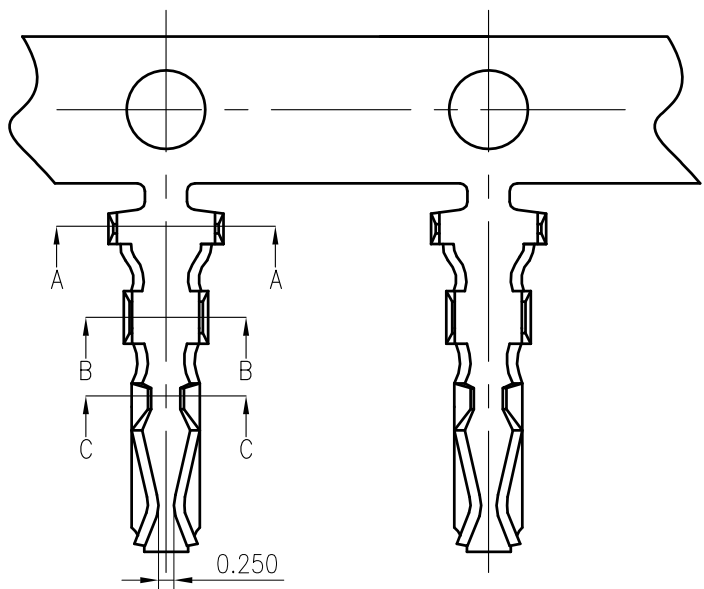


RoHS
COMPLIANT



SPECIFICATIONS

1. Current rating: 2A AC, DC
2. Voltage rating: 250V AC,DC
3. Temperature range: -40°C ~ +105°C
4. Insulation resistance: 1000MΩ Min.
5. Withstanding voltage: 1000V AC/ minute.
6. Contact resistance: 20mΩ Max.

Material: Phosphor Bronze

Plating: Tin plated over Nickel

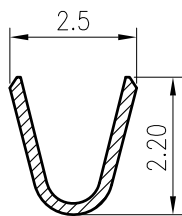
Applicable wire:

AWG #28~#22

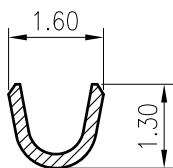
Insulation O.D.: 1.2 To 1.6mm

Suitable KR2004 series housing

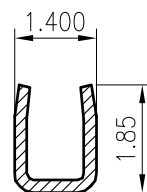
Q'ty/reel:12,000PCS



SECTION A-A



SECTION B-B



SECTION C-C

MARK	REVISION DESCRIPTION	SIGNATURE	DATE	TOLERANCE	TITLE:	DRAWN:	CHECKED:	APPROVED:	REV.:	DRAWING NO.:
A3	Uniformly arrange the drawings	ZSZ	2021.09.22	X.X ±0.30	PH2.0 Have buckle Terminal	ZSZ 2021.09.22			A3	KONNRA 东莞市康瑞电子有限公司 DongGuan Konnra Electronics Co.,Ltd. PART NO.:T2004FPT0101A DRAWING NO.:2004TF101-A-S
A2	Change the part number and frame format	Arvin	2020.05.23	X.XX ±0.20						
				X.XXX ±0.10						
				Angle ±2°	UNIT:mm	SCALE:N/A	SHEET:1/1	PROJECTION		