

**RoHS**  
COMPLIANT

**SPECIFICATIONS**

1. Current rating: 2A AC, DC
2. Voltage rating: 250V AC,DC
3. Temperature range: -40°C ~ +105°C
4. Insulation resistance: 1000MΩ Min.
5. Withstanding voltage: 1000V AC/ minute.
6. Contact resistance: 20mΩ Max.

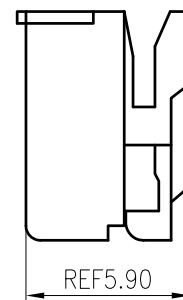
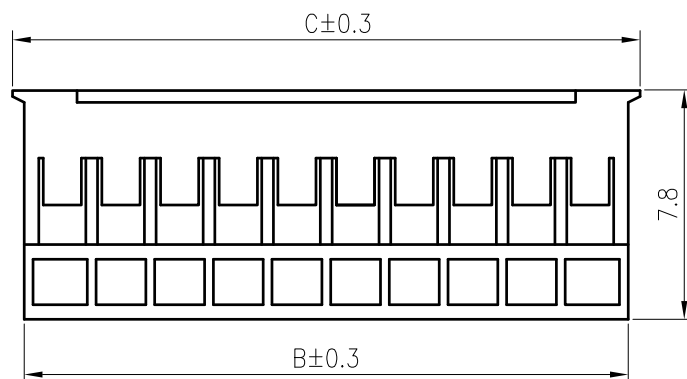
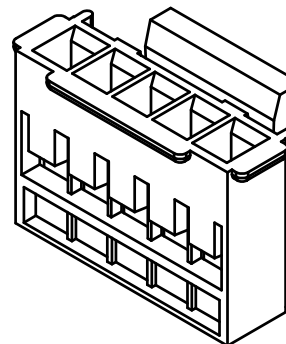
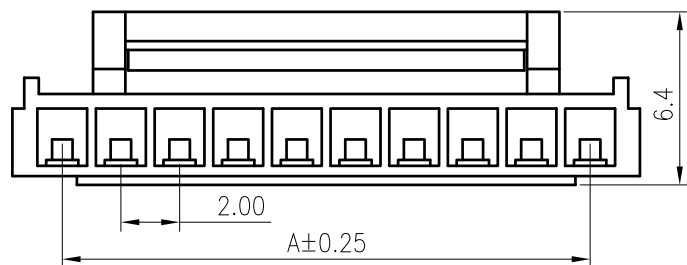
Material: PA66 UL94 V-2  
Suitable KR2004 series terminal  
Mate With KR2004 series wafer

Ordering Code:

H2004M \*\*\* 03 01A

No.of Circuits  
102:02,116:16

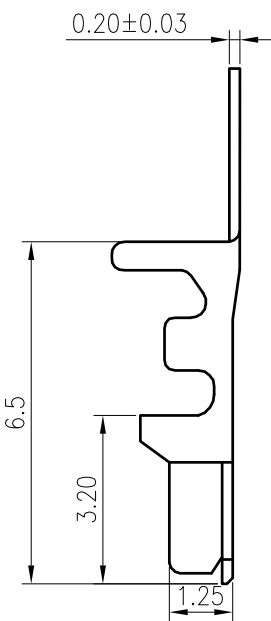
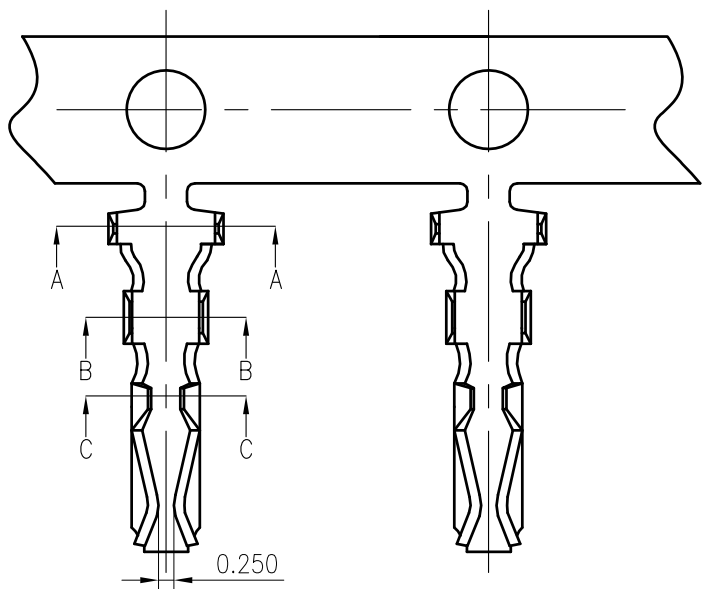
Insulator Material  
03:PA66 White V2  
21:PA66 Blue V0  
46:PA66 Yellow V0



Circuits	Dimensions		
	A	B	C
2	2.00	4.60	5.60
3	4.00	6.60	7.60
4	6.00	8.60	9.60
5	8.00	10.60	11.60
6	10.00	12.60	13.60
7	12.00	14.60	15.60
8	14.00	16.60	17.60
9	16.00	18.60	19.60
10	18.00	20.60	21.60
11	20.00	22.60	23.60
12	22.00	24.60	25.60
13	24.00	26.60	27.60
14	26.00	28.60	29.60
15	28.00	30.60	31.60
16	30.00	32.60	33.60

F		Uniformly arrange the drawings	ZSZ	2021.09.22	TOLERANCE X.X ±0.30 X.XX ±0.20 X.XXX ±0.10 Angle ±2°	TITLE: PH2.0 Have buckle Housing	DRAWN: ZSZ 2021.09.22		KONNRA 东莞市康瑞电子有限公司 DongGuan Konnra Electronics Co.,Ltd.		
		Add Yellow and Blue Specification	Arvin	2021.09.02			CHECKED:				
	MARK	REVISION DESCRIPTION	SIGNATURE	DATE			UNIT:mm	SCALE:N/A	SHEET:1/1	PROJECTION	REV.:A4
	1	2	3	4	5	6	7	8	9		

**RoHS**  
COMPLIANT



**SPECIFICATIONS**

1. Current rating: 2A AC, DC
2. Voltage rating: 250V AC,DC
3. Temperature range: -40°C ~ +105°C
4. Insulation resistance: 1000MΩ Min.
5. Withstanding voltage: 1000V AC/ minute.
6. Contact resistance: 20mΩ Max.

Material: Phosphor Bronze

Plating: Tin plated over Nickel

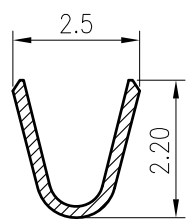
Applicable wire:

AWG #28~#22

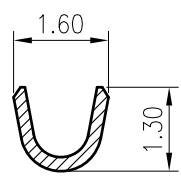
Insulation O.D.: 1.2 To 1.6mm

Suitable KR2004 series housing

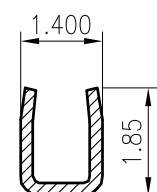
Q'ty/reel:12,000PCS



**SECTION A-A**



**SECTION B-B**



**SECTION C-C**

MARK	REVISION DESCRIPTION	SIGNATURE	DATE	TOLERANCE	TITLE:	DRAWN:	CHECKED:	APPROVED:	REV.:	DRAWING NO.:
A3	Uniformly arrange the drawings	ZSZ	2021.09.22	X.X ±0.30	PH2.0 Have buckle Terminal	ZSZ 2021.09.22			A3	KONNRA 东莞市康瑞电子有限公司 DongGuan Konnra Electronics Co.,Ltd. PART NO.: T2004FPT0101A DRAWING NO.: 2004TF101-A-S
A2	Change the part number and frame format	Arvin	2020.05.23	X.XX ±0.20						
				X.XXX ±0.10						
				Angle ±2°	UNIT:mm	SCALE:N/A	SHEET:1/1	PROJECTION		

**RoHS**  
COMPLIANT

**SPECIFICATIONS**

1. Current rating: 2A AC, DC
2. Voltage rating: 250V AC,DC
3. Temperature range: -40°C ~ +105°C
4. Insulation resistance: 1000MΩ Min.
5. Withstanding voltage: 1000V AC/ minute.
6. Contact resistance: 20mΩ Max.

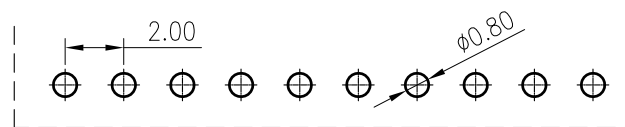
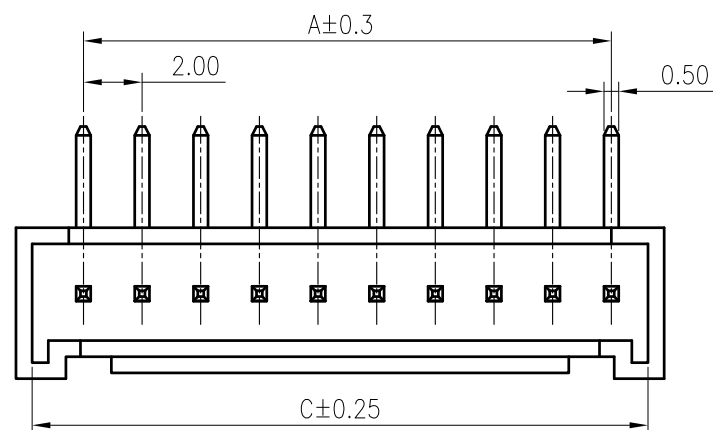
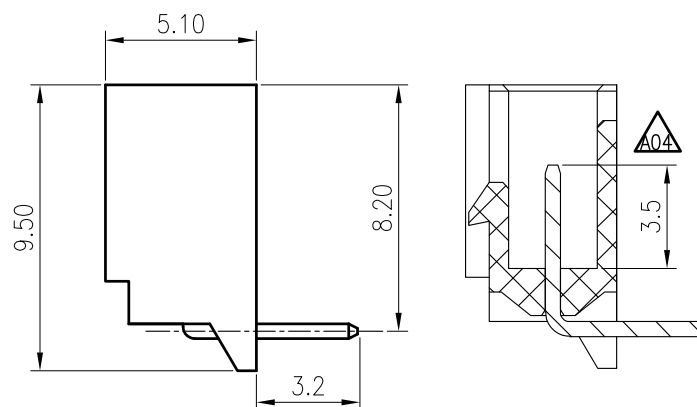
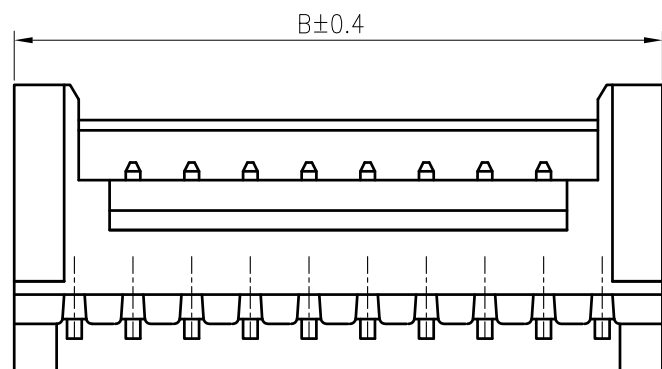
**Material:**

**Material:**  
Insulator: PA66 UL 94V-2  
Contact: Brass  
Plating: Tin plated over Nickel  
Mate with KR2004 Series Housing

**Ordering Code:**

C2004RD \*\*\* 03 T01 01PA  
 No. of Circuits | Plating  
 102:2,116:16 | T01: Tin plated  
 Insulator Material  
 03:PA66 White V2  
 22:PA66 Beige V0

Circuits	Dimensions		
	A	B	C
2	2.00	6.00	4.90
3	4.00	8.00	6.90
4	6.00	10.00	8.90
5	8.00	12.00	10.90
6	10.00	14.00	12.90
7	12.00	16.00	14.90
8	14.00	18.00	16.90
9	16.00	20.00	18.90
10	18.00	22.00	20.90
11	20.00	24.00	22.90
12	22.00	26.00	24.90
13	24.00	28.00	26.90
14	26.00	30.00	28.90
15	28.00	32.00	30.90
16	30.00	34.00	32.90



Recommended P.C.B. Layout  
Total tolerance: ±0.05mm

F	Add Dimensions	ZSZ	2022.05.30	TOLERANCE X.X ±0.30 X.XX ±0.20 X.XXX ±0.10 Angle ±2°	TITLE: PH2.0 Have buckle DIP 90° Wafer	DRAWN: ZSZ 2021.09.22	KONNRA 东莞市康瑞电子有限公司 DongGuan Konnra Electronics Co.,Ltd.		
	Uniformly arrange the drawings	ZSZ	2021.09.22			CHECKED:			
	Change the part number and frame format	Arvin	2020.04.24			APPROVED:			
MARK	REVISION DESCRIPTION	SIGNATURE	DATE	UNIT:mm	SCALE:N/A	SHEET:1/1	PROJECTION	REV.:A04	DRAWING NO.:2004WRD101-A-S
1	2	3	4	5	6	7	8	9	

**RoHS**  
COMPLIANT

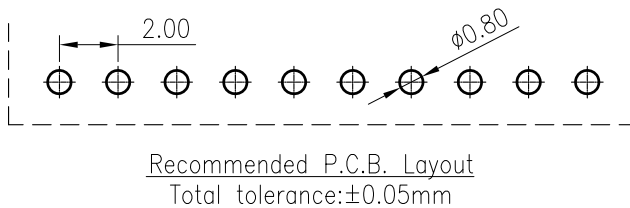
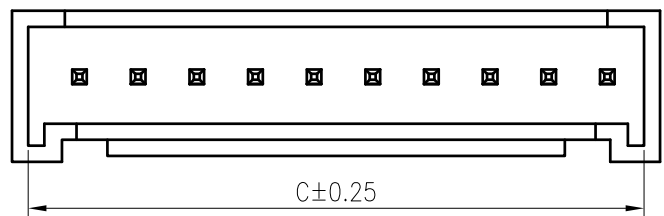
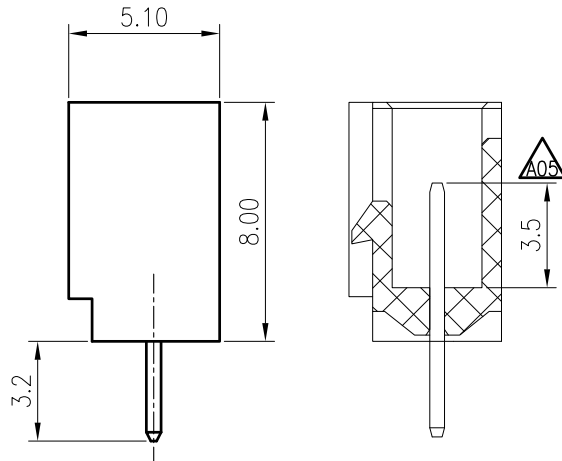
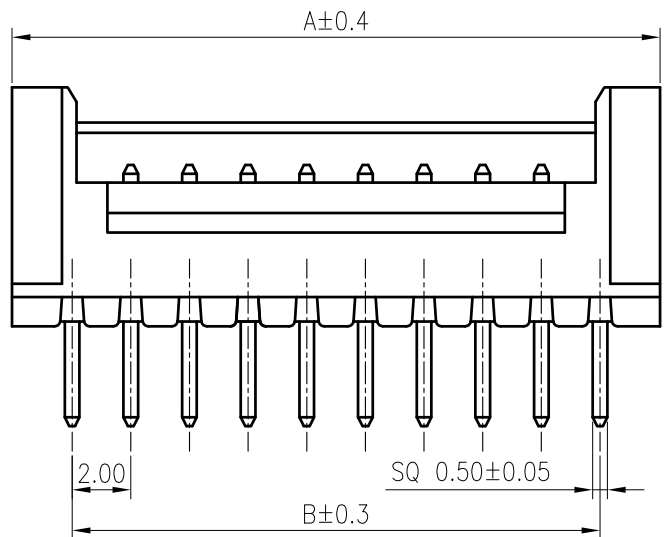
**SPECIFICATIONS**

1. Current rating: 2A AC, DC
2. Voltage rating: 250V AC,DC
3. Temperature range: -40°C ~ +105°C
4. Insulation resistance: 1000MΩ Min.
5. Withstanding voltage: 1000V AC/ minute.
6. Contact resistance: 20mΩ Max.

Material:  
 Material:  
 Insulator: PA66 UL 94V-2  
 Contact: Brass  
 Plating: Tin plated over Nickel  
 Mate with KR2004 Series Housing  
 Ordering Code:

C2004VD \*\*\* 03 T01 01PA  
 No. of Circuits 102:2,116:16  
 Insulator Material 03:PA66 White V2  
 04:PA66 Black V2  
 32:PA66 Red V2  
 45:PA66 Yellow V2  
 Plating T01: Tin plated

Circuits	Dimensions		
	A	B	C
2	6.00	2.00	4.90
3	8.00	4.00	6.90
4	10.00	6.00	8.90
5	12.00	8.00	10.90
6	14.00	10.00	12.90
7	16.00	12.00	14.90
8	18.00	14.00	16.90
9	20.00	16.00	18.90
10	22.00	18.00	20.90
11	24.00	20.00	22.90
12	26.00	22.00	24.90
13	28.00	24.00	26.90
14	30.00	26.00	28.90
15	32.00	28.00	30.90
16	34.00	30.00	32.90



F		Add Dimensions	ZSZ	2023.05.30	TOLERANCE X.X ±0.30 X.XX ±0.20 X.XXX ±0.10 Angle ±2°	TITLE: PH2.0 Have buckle DIP 180° Wafer No K	DRAWN: ZSZ 2021.09.22	KONNRA 东莞市康瑞电子有限公司 DongGuan Konnra Electronics Co.,Ltd.	
		Uniformly arrange the drawings	ZSZ	2021.09.22			CHECKED:		
		Add Yellow and Blue Specification	Arvin	2020.09.10			APPROVED:		
	MARK	REVISION DESCRIPTION	SIGNATURE	DATE			UNIT:mm SCALE:N/A SHEET:1/1 PROJECTION		REV.:A05 DRAWING NO.:2004WVD101-A-S
	1	2	3	4	5	6	7	8	9

**RoHS**  
COMPLIANT

**SPECIFICATIONS**

1. Current rating: 2A AC, DC
2. Voltage rating: 250V AC,DC
3. Temperature range: -40°C ~ +105°C
4. Insulation resistance: 1000MΩ Min.
5. Withstanding voltage: 1000V AC/ minute.
6. Contact resistance: 20mΩ Max.

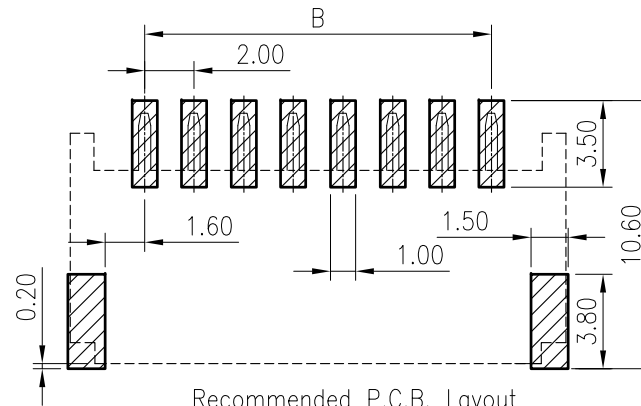
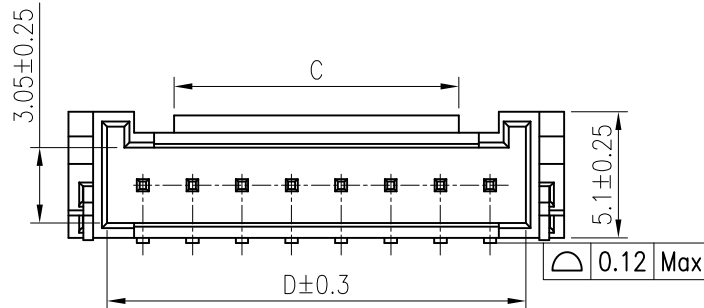
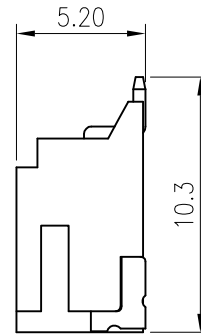
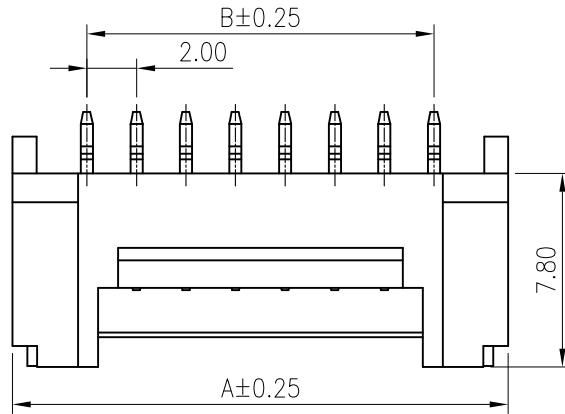
**Material:**

Insulator: LCP UL94 V-0  
 Contact: Brass  
 Solder tabs: Phosphor bronze  
 Plating: Tin Plated over nickel  
 Mate with KR2004 Series Housing

**Ordering Code:**

C2004RS \*\*\* 13 T01 01RC

No. of Circuits 102:2,116:16  
 Insulator Material 13:LCP Natural  
 Plating T01: Tin plated



Recommended P.C.B. Layout  
 Total tolerance:±0.05mm

Circuits	Dimension(mm)			
	A	B	C	D
2	8.00	2.00	2.70	4.75
3	10.00	4.00	3.20	6.75
4	12.00	6.00	3.50	8.90
5	14.00	8.00	5.50	10.90
6	16.00	10.00	7.50	12.90
7	18.00	12.00	9.50	14.90
8	20.00	14.00	11.50	16.90
9	22.00	16.00	13.50	18.90
10	24.00	18.00	15.50	20.90
11	26.00	20.00	15.50	22.90
12	28.00	22.00	15.50	24.90
13	30.00	24.00	15.50	26.90
14	32.00	26.00	15.50	28.90
15	34.00	28.00	15.50	30.90
16	36.00	30.00	15.50	32.90

△3			
△2			
△1	Uniformly arrange the drawings	ZSZ	2021.09.22
MARK	REVISION DESCRIPTION	SIGNATURE	DATE
1	2	3	4

TOLERANCE	TITLE:
X.X ±0.30	PH2.0 Have buckle
X.XX ±0.20	SMT 90° Wafer
X.XXX ±0.10	
Angle ±2°	
UNIT:mm	SCALE:N/A

DRAWN: ZSZ 2021.09.22
CHECKED:
APPROVED:
SHEET: 1/1
PROJECTION

KONNRA 东莞市康瑞电子有限公司	
DongGuan Konnra Electronics Co.,Ltd.	
PART NO.: C2004RS***13T0101RC	
REV.: A1	DRAWING NO.: 2004WRS101-C-S
7	8

**RoHS**  
COMPLIANT

**SPECIFICATIONS**

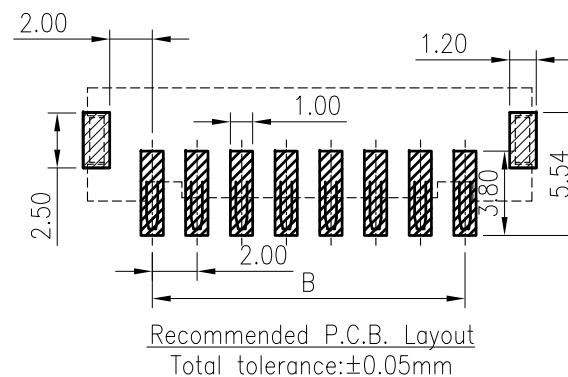
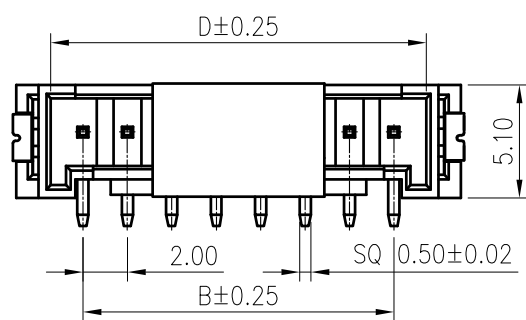
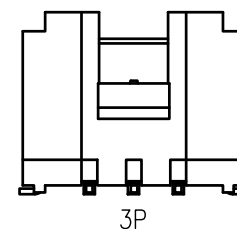
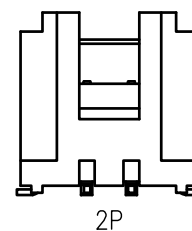
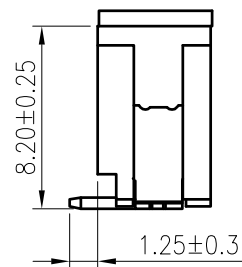
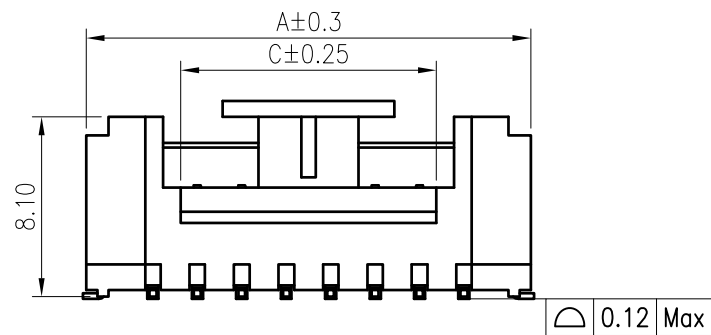
1. Current rating: 2A AC, DC
2. Voltage rating: 250V AC,DC
3. Temperature range: -40°C ~ +105°C
4. Insulation resistance: 1000MΩ Min.
5. Withstanding voltage: 1000V AC/ minute.
6. Contact resistance: 20mΩ Max.

**Material:**

Insulator: LCP UL94 V-0  
 Contact: Brass  
 Solder tabs: Phosphor bronze  
 Plating: Tin Plated over nickel  
 Mate with KR2004 Series Housing

**Ordering Code:**

C2004VS \*\*\* 13 T01 01RC  
 No. of Circuits } Plating  
 102:02,116:16 } T01: Tin plated  
 Insulator Material }  
 13:LCP Natural }



Circuits	Dimensions			
	A	B	C	D
2	8.00	2.00	2.70	4.90
3	10.00	4.00	2.70	6.90
4	12.00	6.00	3.50	8.90
5	14.00	8.00	5.50	10.90
6	16.00	10.00	7.50	12.90
7	18.00	12.00	9.50	14.90
8	20.00	14.00	11.50	16.90
9	22.00	16.00	13.50	18.90
10	24.00	18.00	15.50	20.90
11	26.00	20.00	15.50	22.90
12	28.00	22.00	15.50	24.90
13	30.00	24.00	15.50	26.90
14	32.00	26.00	15.50	28.90
15	34.00	28.00	15.50	30.90
16	36.00	30.00	15.50	32.90

TOLERANCE  
 X.X ±0.30  
 X.XX ±0.20  
 X.XXX ±0.10  
 Angle ±2°

TITLE:  
 PH2.0 Have buckle  
 SMT 180° Wafer

DRAWN: *Arwin 2021.09.22*  
 CHECKED:  
 APPROVED:

**KONNRA** 东莞市康瑞电子有限公司  
 DongGuan Konnra Electronics Co.,Ltd.

PART NO.: C2004VS\*\*\*13T0101RC

MARK REVISION DESCRIPTION SIGNATURE DATE UNIT:mm SCALE:N/A SHEET:1/1 PROJECTION REV.:A2 DRAWING NO.:2004WVS101-C-S

1 2 3 4 5 6 7 8 9