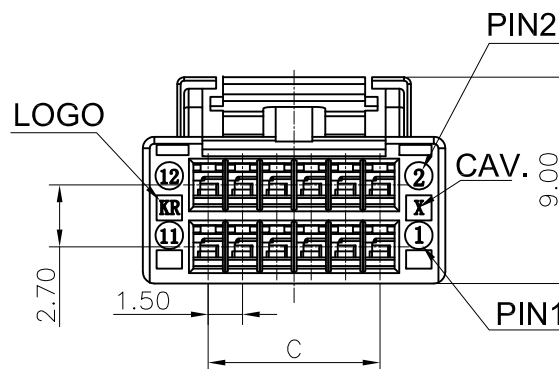
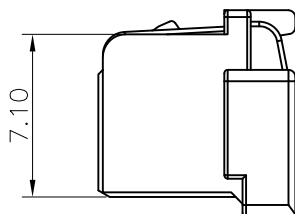
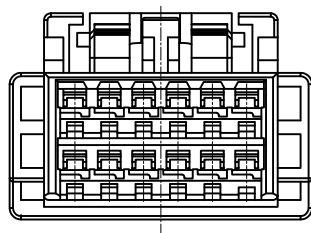
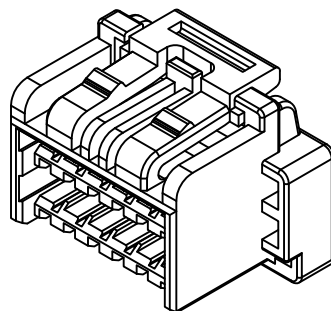
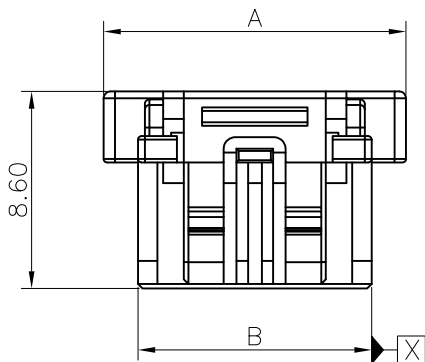


**RoHS**  
COMPLIANT

Material: PBT UL94 V-0  
 Suitable:  
 KR1507 series terminal(24AWG~28AWG)  
 Mate with KR1507 series Dual row Wafer

Ordering Code: H150702xxxx01A

204=2\*4P  
 205=2\*5P



Pin	Dimension		
	A	B	C
2*4P	10.20	7.20	4.50
2*5P	11.70	8.70	6.00
2*6P	13.20	10.20	7.50
2*7P	14.70	11.70	9.00
2*8P	16.20	13.20	10.50
2*9P	17.70	14.70	12.00
2*10P	19.20	16.20	13.50
2*11P	20.70	17.70	15.00
2*12P	22.20	19.20	16.50
2*13P	23.70	20.70	18.00
2*14P	25.20	22.20	19.50
2*15P	26.70	23.70	21.00
2*16P	28.20	25.20	22.50
2*17P	29.70	26.70	24.00
2*18P	31.20	28.20	25.50
2*19P	32.70	29.70	27.00
2*20P	34.20	31.20	28.50

F	A3				TOLERANCE	TITLE:	DRAWN: Shen 2022.05.10	KONNRA 东莞市康瑞电子有限公司 DongGuan Konnra Electronics Co.,Ltd.		
	A2				X.X ±0.30	MX1.5 INNER BUCKLE	CHECKED:			
	A1	NEW DWG	Shen	2022.05.10	X.XX ±0.20	DUAL ROW HOUSING	APPROVED:	PART NO.:H150702xxxx01A		
	MARK	REVISION DESCRIPTION	SIGNATURE	DATE	X.XXX ±0.10	UNIT:mm	SCALE:1/1	SHEET:1/2	PROJECTION	REV.:A1
	1	2	3	4	5	6	7	8	9	