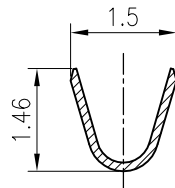
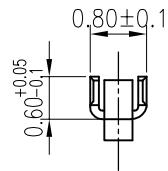
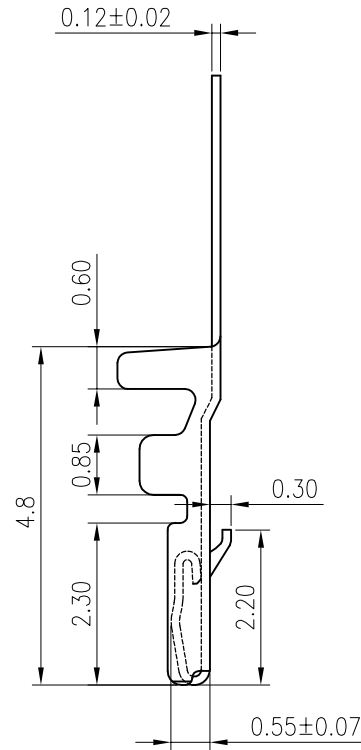
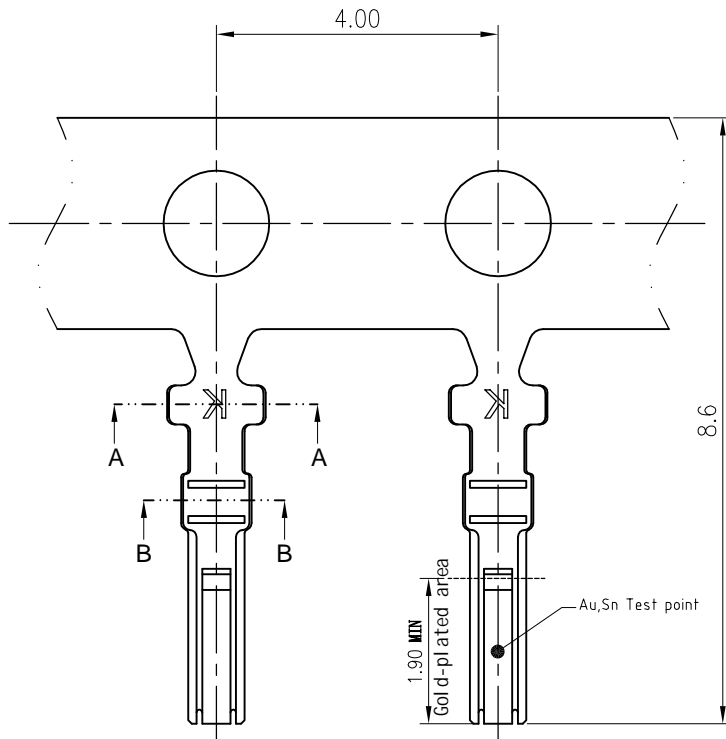
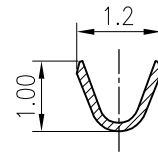


RoHS
COMPLIANT



SECTION:A-A



SECTION:B-B

SPECIFICATIONS

1. Current rating: 1A AC, DC
2. Voltage rating: 50V AC, DC
3. Temperature range: -40°C ~ +105°C
4. Insulation resistance: 100MΩ/ min.
5. Withstanding voltage: 500V AC/ minute.
6. Contact resistance: 30mΩ/ max.

Material: Phosphor Bronze

Applicable wires:

Conductor size: AWG#26~#30

Insulation O.D. : 1.0mm Max.

Finish: Tin plated or Gold plated contact area

Suitable KR1259 Series Housing

Mates With KR1259 Series Wafer

Q'TY/Reel: 20,000PCS

Ordering Code:

T12590P *** 01A

S00:Material

T01:Sn

B08:Half Au,Ni

G08:Au40u"

| | | | | | | | | | | | |
|------|----------------------|---|------|------------|---|---------------------------|------------------------|---------------------------|---------------------------------------|--|--|
| F | | Uniformly arrange the drawings | Shen | 2021.09.06 | TOLERANCE X. X ±0.20 X. XX ±0.15 X. XXX ±0.08 Angle ±2° | TITLE: GH1.25 Terminal | DRAWN: Shen 2021.09.06 | | KONNRA 东莞市康瑞电子有限公司 | | |
| | | Change the part number and frame format | TLX | 2020.05.08 | | | CHECKED: | | DongGuan Konnra Electronics Co., Ltd. | | |
| MARK | REVISION DESCRIPTION | SIGNATURE | DATE | UNIT: mm | SCALE: 1/1 | SHEET: 1/1 | PROJECTION | REV. : A4 | PART NO. : T12590P***01A | | |
| 1 | 2 | 3 | 4 | 5 | 6 | 7 | 8 | DRAWING NO. : 1259T01-A-S | | | |