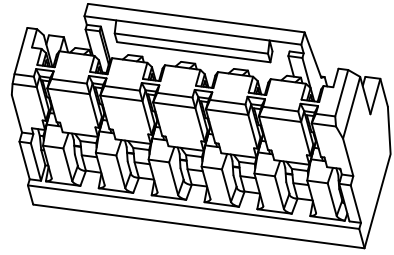
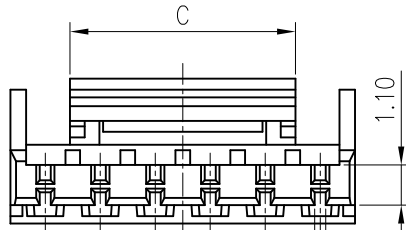


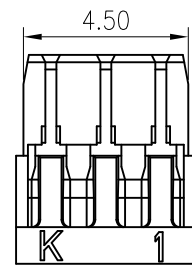
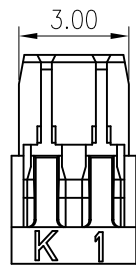
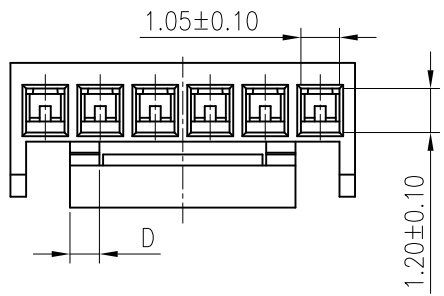
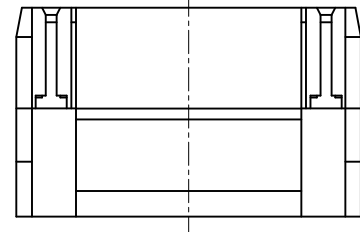
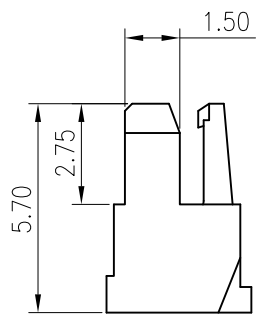
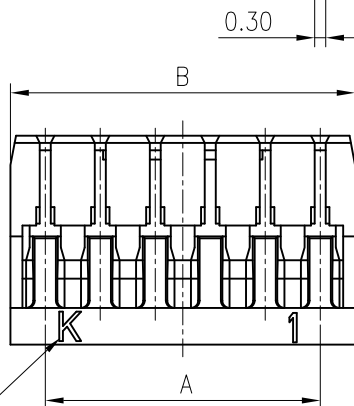
RoHS
COMPLIANT



SPECIFICATIONS
 Current rating: 1A AC, DC
 Voltage rating: 50V AC, DC
 Temperature range: -40°C ~ +105°C
 Insulation resistance: 100MΩ/ min.
 Withstanding voltage: 500V AC/ minute.
 Contact resistance: 30mΩ/ max.

Material: Nylon66 UL94 V-0
 Suitable KR1259 Series Terminal
 Mates With KR1506 Series Wafer

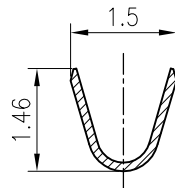
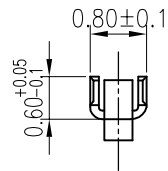
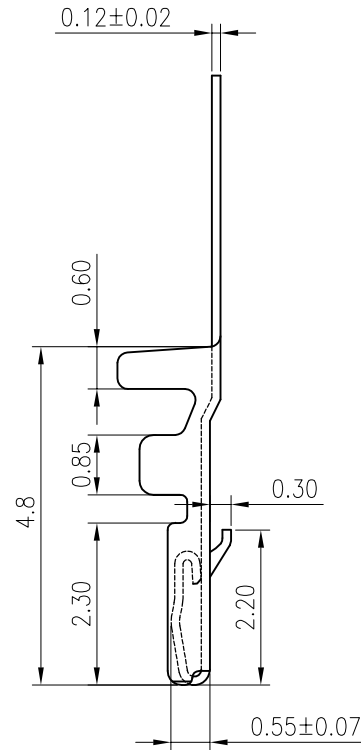
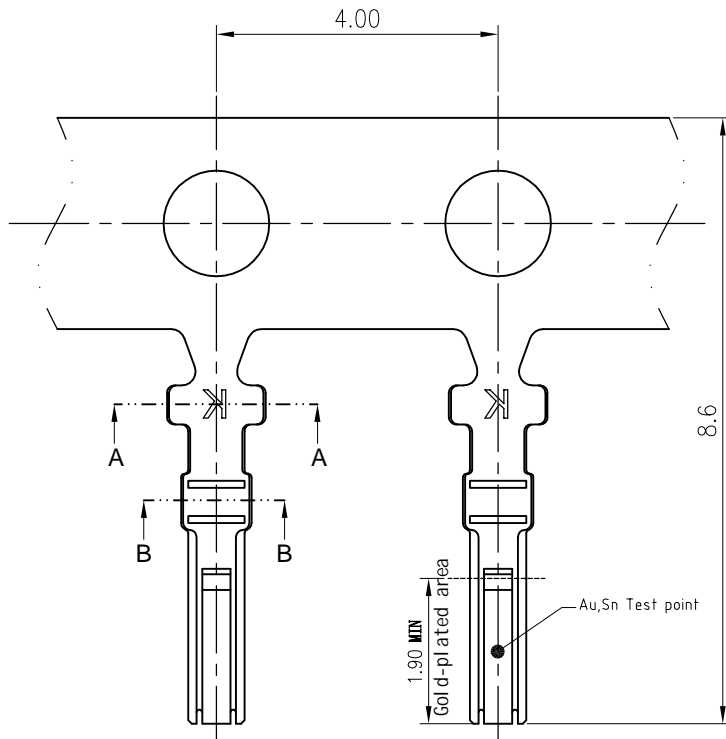
Ordering code:
 H15060 *** 0101A
 102=02P
 103=03P



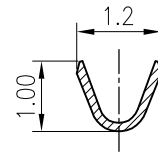
PIN	Dimensions			
	A	B	C	D
2P	1.50	3.00	1.90	0.50
3P	3.00	4.50	2.90	0.80
4P	4.50	6.40	4.15	
5P	6.00	7.90	4.15	
6P	7.50	9.40	6.15	

F		Uniformly arrange the drawings	Shen	2021.09.28	TOLERANCE X.X ±0.25 X.XX ±0.15 X.XXX ±0.08 Angle ±2°	TITLE: GH1.5 Housing	DRAWN: Shen 2021.09.28		KONNRA 东莞市康瑞电子有限公司 DongGuan Konnra Electronics Co.,Ltd.		
		Change the part number and frame format	TLX	2020.04.08			CHECKED:				
	MARK		REVISION DESCRIPTION	SIGNATURE			DATE	APPROVED:			
	1	2	3	4	UNIT:mm	SCALE: 1/1	SHEET: 1/1	PROJECTION	REV.: A3	DRAWING NO.: 1506H01-A-S	

RoHS
COMPLIANT



SECTION:A-A



SECTION:B-B

SPECIFICATIONS

1. Current rating: 1A AC, DC
2. Voltage rating: 50V AC, DC
3. Temperature range: -40°C ~ +105°C
4. Insulation resistance: 100MΩ/ min.
5. Withstanding voltage: 500V AC/ minute.
6. Contact resistance: 30mΩ/ max.

Material: Phosphor Bronze

Applicable wires:

Conductor size: AWG#26~#30

Insulation O.D. : 1.0mm Max.

Finish: Tin plated or Gold plated contact area

Suitable KR1259 Series Housing

Mates With KR1259 Series Wafer

Q'TY/Reel: 20,000PCS

Ordering Code:

T12590P *** 01A

S00:Material

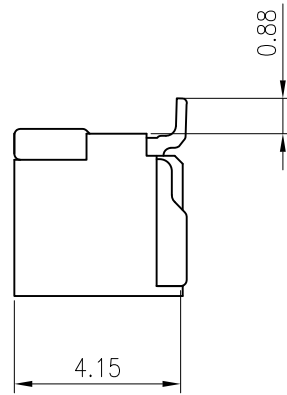
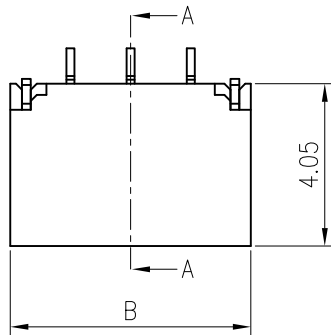
T01:Sn

B08:Half Au,Ni

G08:Au40u"

F		Uniformly arrange the drawings	Shen	2021.09.06	TOLERANCE X. X ±0.20 X. XX ±0.15 X. XXX ±0.08 Angle ±2°	TITLE: GH1.25 Terminal	DRAWN: Shen 2021.09.06		KONNRA 东莞市康瑞电子有限公司		
		Change the part number and frame format	TLX	2020.05.08			CHECKED:		DongGuan Konnra Electronics Co., Ltd.		
MARK	REVISION DESCRIPTION	SIGNATURE	DATE	UNIT: mm	SCALE: 1/1	SHEET: 1/1	PROJECTION	REV.: A4	PART NO.: T12590P***01A		
1	2	3	4	5	6	7	8	DRAWING NO.: 1259T01-A-S			

RoHS
COMPLIANT




SPECIFICATIONS

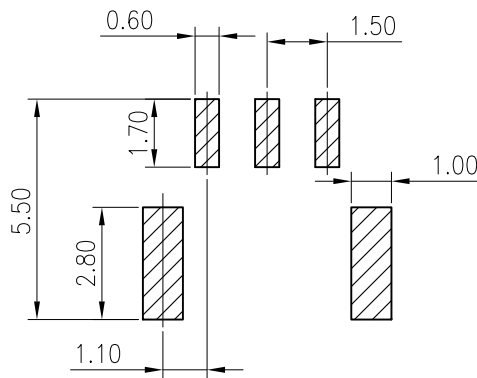
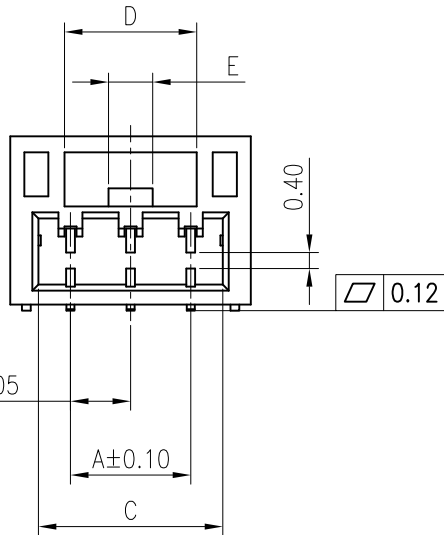
Current rating: 1A AC, DC
 Voltage rating: 50V AC, DC
 Temperature range: -40°C ~ +105°C
 Insulation resistance: 100MΩ/ min.
 Withstanding voltage: 500V AC/ minute.
 Contact resistance: 30mΩ/ max.

Material:

Insulator: PA9T or LCP UL94V-0
 Contact: copper alloy
 Finish: Matte-tin plated
 Mate with KR1506 series housing




Ordering Code:

C1506VS ***11M0101RA 
 102: 2P
 106: 6P
 11: PA9T Natural
 13: LCP Natural
 M01: Matte-tin plated

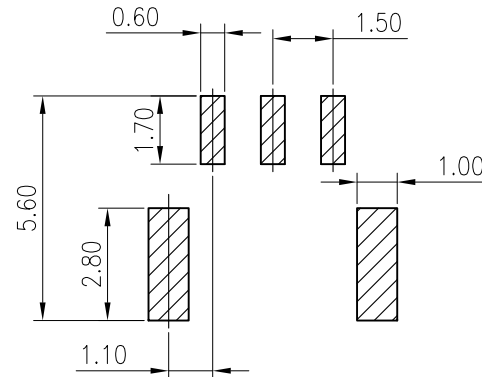
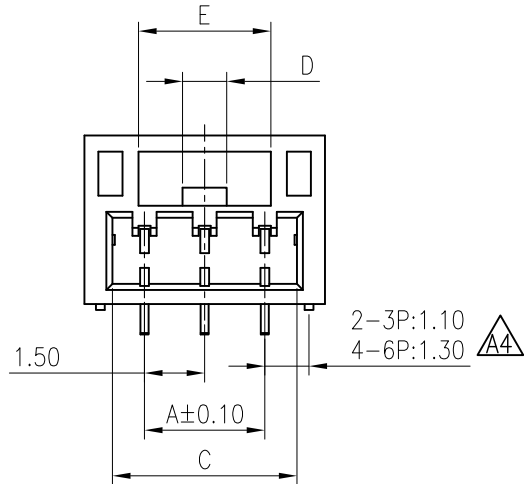
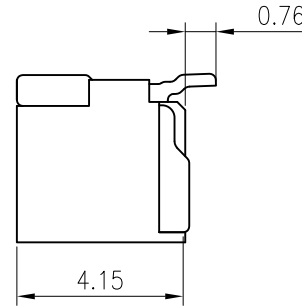
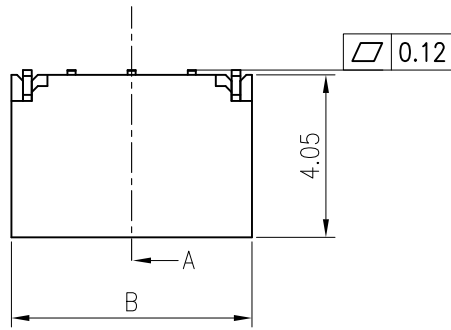


Recommended P.C.B. Layout
 Total tolerance: ±0.05mm

6P	7.50	10.90	9.50	6.55	4.35
5P	6.00	9.40	8.00	4.55	2.35
4P	4.50	7.90	6.50		
3P	3.00	6.00	4.60	3.45	1.60
2P	1.50	4.50	3.10	2.20	0.80
PIN数	A	B	C	D	E

F		Uniformly arrange the drawings	Shen	2021.9.17	TOLERANCE X.X ±0.30 X.XX ±0.20 X.XXX ±0.10 Angle ±2°	TITLE: GH1.5 SMT 90° WAFER	DRAWN: Shen 2021.09.17		KONNRA 东莞市康瑞电子有限公司			
		Change the part number and frame format	Ru yi	2020.3.10			CHECKED:		DongGuan Konnra Electronics Co.,Ltd.			
	MARK	REVISION DESCRIPTION	SIGNATURE	DATE			APPROVED:		PART NO.: C1506RS1****M0101RA			
	1	2	3	4			UNIT:mm	SCALE:1/1	SHEET:1/1	PROJECTION 	REV.:A3	DRAWING NO.:1506WHS01-A-S

RoHS
COMPLIANT



Recommended P.C.B. Layout
Total tolerance:±0.05mm


SPECIFICATIONS

Current rating: 1A AC, DC
Voltage rating:50V AC,DC
Temperature range: -40°C ~ +105°C
Insulation resistance: 100MΩ/ min.
Withstanding voltage: 500V AC/ minute.
Contact resistance: 30mΩ/ max.


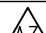


Material:

Insulator: PA9T UL94V-0
Contact: copper alloy
Finish: Matte-tin plated
Mates With A1506 Series Housing

Ordering Code:

C1506VS ***11M0101RA 
102: 2P
106: 6P
11: PA9T Natural
M01:Matte-tin plated
R:Reel&Tape

6P	7.50	10.90	9.50	6.55	4.35
5P	6.00	9.40	8.00	4.55	2.35
4P	4.50	7.90	6.50	3.30	1.60
3P	3.00	6.00	4.60	2.20	0.80
2P	1.50	4.50	3.10		
PIN	A	B	C	D	E

F		Modify Size	Shen	2022.10.22	TOLERANCE X.X ±0.30 X.XX ±0.20 X.XXX ±0.10 Angle ±2°	TITLE: GH1.5 SMT 180° WF	DRAWN: <i>Shen 2021.09.14</i>	KONNRA 东莞市康瑞电子有限公司 DongGuan Konnra Electronics Co.,Ltd.		
		Uniformly arrange the drawings	Shen	2021.09.14						
		Change the part number and frame format	TLX	2020.05.14						
	MARK	REVISION DESCRIPTION	SIGNATURE	DATE						
	1	2	3	4	UNIT:mm	SCALE:1/1	SHEET:1/1	PROJECTION 	REV.:A4	DRAWING NO.:1506WVS01-A-S