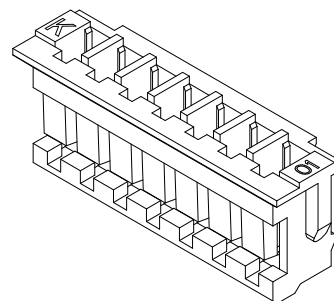
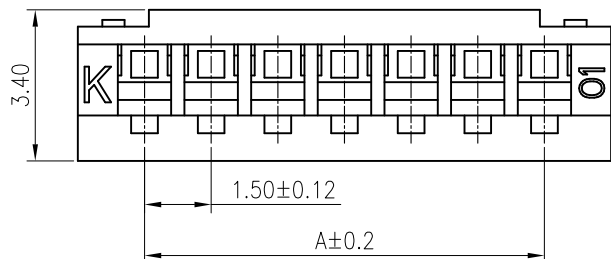


RoHS
COMPLIANT



◆ SPECIFICATIONS

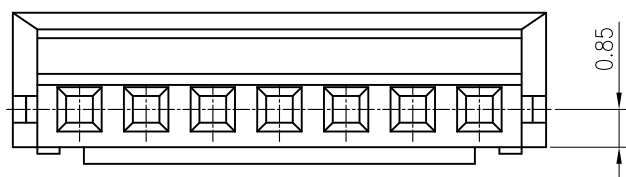
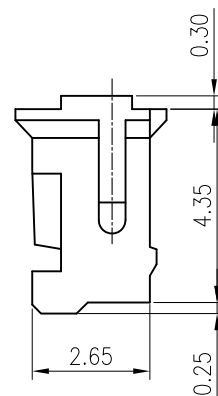
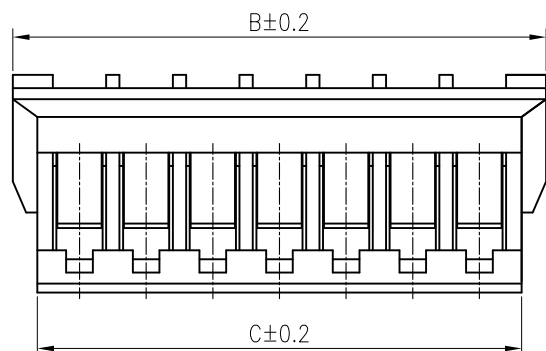
- Current rating: 1A AC, DC
- Voltage rating: 100V AC, DC
- Temperature range: -40°C ~ +105°C
- Insulation resistance: 500MΩ Min.
- Withstanding voltage: 500V AC/ minute.
- Contact resistance: 20mΩ Max.

Material: Nylon 66 UL 94V-0
Suitable KR1501 series terminal
mates with KR1501 series wafer

Ordering Code:

H150101****0*A
 102=2P 00:Halogen free
 103=3P 01:Conventional products

 01:PA66 UL94 V-0 white
 02:PA66 UL94 V-0 black
 17:PA66 brown
 19:PA66 UL94 V-0 gray
 35:PA66 UL94 V-0 purple



Circuits	Dimensions			Circuits	Dimensions		
	A	B	C		A	B	C
2PIN	1.50	4.50	3.40	10PIN	13.50	16.50	15.40
3PIN	3.00	6.00	4.90	11PIN	15.00	18.00	16.90
4PIN	4.50	7.50	6.40	12PIN	16.50	19.50	18.40
5PIN	6.00	9.00	7.90	13PIN	18.00	21.00	19.90
6PIN	7.50	10.50	9.40	14PIN	19.50	22.50	21.40
7PIN	9.00	12.00	10.90	15PIN	21.00	24.00	22.90
8PIN	10.50	13.50	12.40	16PIN	22.50	25.50	24.40
9PIN	12.00	15.00	13.90				

F	MARK	REVISION DESCRIPTION	SIGNATURE	DATE	TOLERANCE	TITLE: ZH1.5 Housing	DRAWN: Shen 2021.09.22		KONNRA 东莞市康瑞电子有限公司 DongGuan Konnra Electronics Co.,Ltd. PART NO.: H150101****0*A REV.: A3 DRAWING NO.: 1501H01-A-S		
					X.X ±0.30		CHECKED:				
					X.XX ±0.20		APPROVED:				
					X.XXX ±0.10						
					Angle ±2°	UNIT:mm	SCALE:1/1	SHEET:1/1	PROJECTION		
	1	2	3	4	5	6	7	8	9		