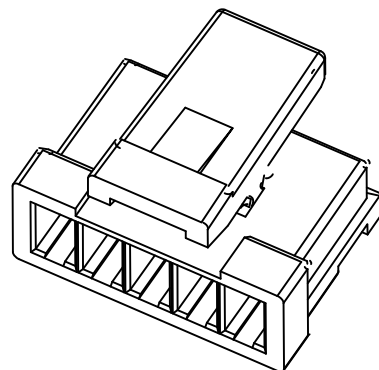
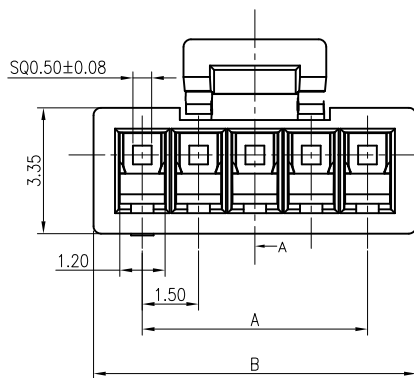
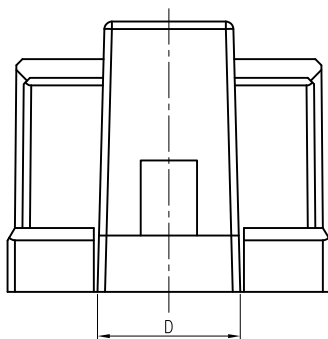
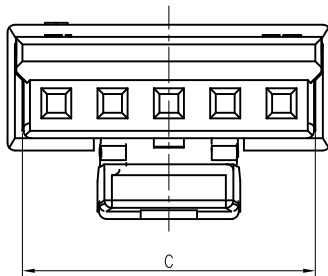
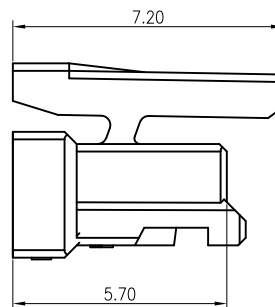


RoHS
COMPLIANT



3D View



◆ SPECIFICATIONS

- Current rating: 2.5A AC, DC
- Voltage rating: 250V AC, DC
- Temperature range: -40°C ~ +105°C
- Insulation resistance: 1000MΩ Min.
- Withstanding voltage: 500V AC/ minute.
- Contact resistance: 20mΩ Max.

Material: Insulator: Nylon 66 UL 94V-0
Suitable KR1500 Series Terminal
Mates With KR1500 Series Wafer

Ordering Code:

H150001**010*A
 102=2P ——— 00:Have buckle Halogen free A04
 02:Have buckle
 103=3P... — 01:PA66 UL94 V-0 white
 02:PA66 UL94 V-0 black

Dimensions				
Pin	A	B	C	D
2P	1.50	4.10	3.30	2.40
3P	3.00	5.60	4.80	2.40
4P	4.50	7.10	6.30	3.80
5P	6.00	8.60	7.80	3.80
6P	7.50	10.10	9.30	3.80
7P	9.00	11.60	10.80	3.80
8P	10.50	13.10	12.30	5.80
9P	12.00	14.60	13.80	5.80
10P	13.50	16.10	15.30	5.80
11P	15.00	17.60	16.80	5.80
12P	16.50	19.10	18.30	5.80
13P	18.00	20.60	19.80	5.80
14P	19.50	22.10	21.30	5.80
15P	21.00	23.60	22.80	5.80

F		Add specification	ZSZ	2024.01.15	TOLERANCE X.X ±0.30 X.XX ±0.20 X.XXX ±0.10 Angle ±2°	TITLE: MX1.5 Housing Have Buckle	DRAWN: Shen 2021.09.28		东莞市康瑞电子有限公司 DongGuan Konnra Electronics Co.,Ltd. PART NO.: H150001**010*A	
		Uniformly arrange the drawings	Shen	2021.09.28			CHECKED:			
		Change the part number and frame format	TLX	2020.03.28			APPROVED:			
MARK	REVISION DESCRIPTION	SIGNATURE	DATE	UNIT:mm	SCALE:1/1	SHEET:1/1	PROJECTION	REV.:A04	DRAWING NO.:1500H02-A-S	