

RoHS
COMPLIANT

SPECIFICATIONS

1. Current rating: 1A AC, DC
2. Voltage rating: 150V AC,DC
3. Temperature range: -40°C ~ +105°C
4. Insulation resistance: 500MΩ Min.
5. Withstanding voltage: 500V AC/ minute.
6. Contact resistance: 30m Ω Max.

Material:

Insulator: PA 6T UL 94V-0

Contact: Brass

Plating: Gold flash over Nickel
Mate with KR1256 series Housing

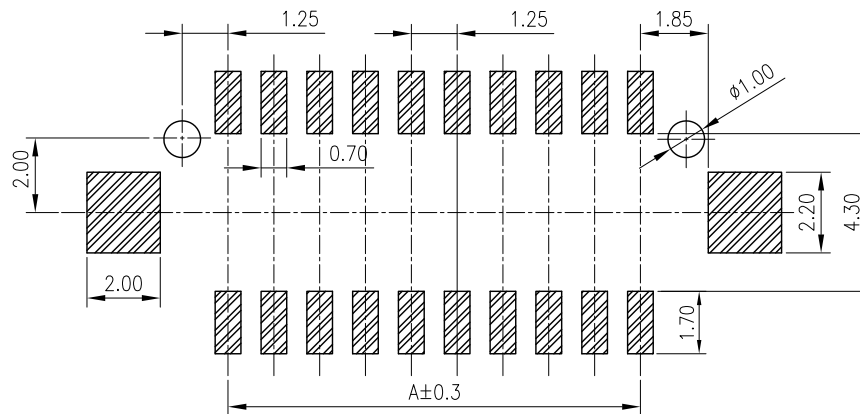
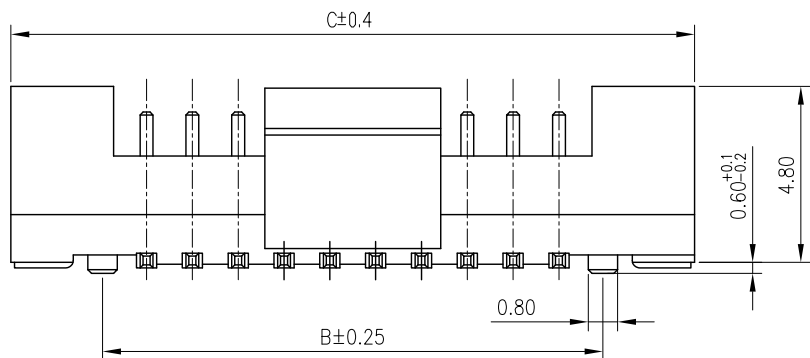
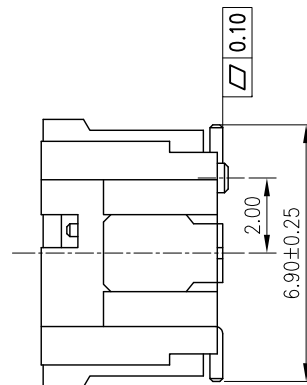
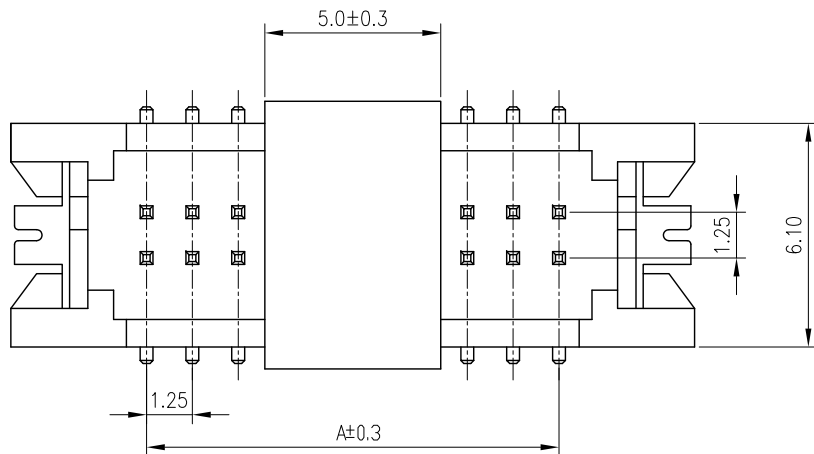
Ordering Code:

C1256VS *** 09 G01 01 RB

No. of Circuits

205:2*5,

220:2*20



Recommended P.C.B. Layout
Total tolerance:±0.05mm

Circuits	Dimensions		
	A	B	C
2*5	5.00	7.50	12.50
2*10	11.25	13.75	18.75
2*15	17.50	20.00	25.00
2*20	23.75	26.25	31.25

F	MARK	REVISION DESCRIPTION	SIGNATURE	DATE	TOLERANCE	TITLE: DF13 SMT Two rows 180° Wafer	DRAWN: Shen 2021.08.31	KONNRA 东莞市康瑞电子有限公司 DongGuan Konnra Electronics Co.,Ltd.
		1	2	3	X.X ±0.30		CHECKED:	
		2	3	4	X.XX ±0.20		APPROVED:	
		3	4	5	X.XXX ±0.10		Angle ±2°	
UNIT:mm		SCALE:1/1	SHEET:1/1	PROJECTION	REV.:A3	DRAWING NO.:1256WVS201-B-S		