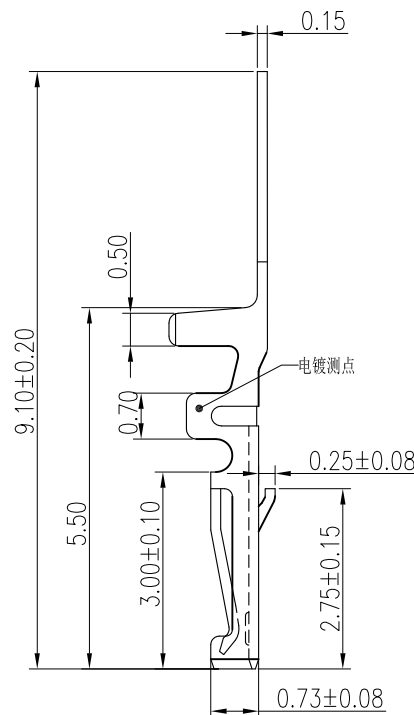
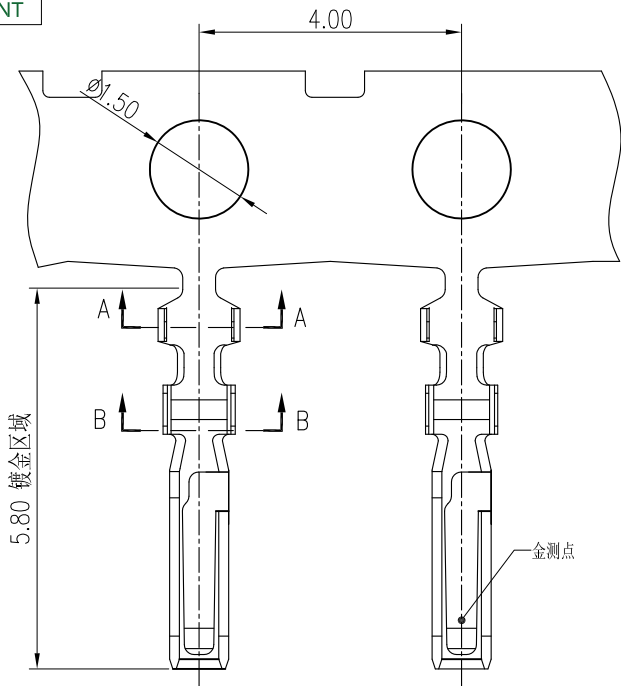


RoHS
COMPLIANT



◆SPECIFICATIONS

- Current rating: 1A AC, DC
- Voltage rating: 125V AC,DC
- Temperature range: -40°C ~ +105°C
- Insulation resistance: 100MΩ Min.
- Withstanding voltage: 500V AC/ minute.
- Contact resistance: 20mΩ Max.

Material: Phosphor Bronze

Applicable wire:

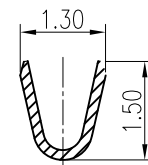
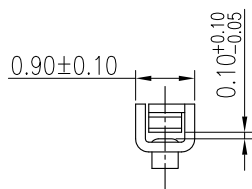
Conductor size: AWG#28~#32

Insulation O.D.: 0.6~0.9mm

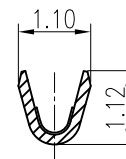
Mate: KR1253 series Housing

PLATING:

| PART NO. | PLATING |
|---------------|-------------|
| T12530PG0201A | GOLD-PLATED |
| T12530PT0101A | TIN-PLATED |



SECTION:A-A



SECTION:B-B

| MARK | REVISION DESCRIPTION | SIGNATURE | DATE | TOLERANCE | TITLE: | DRAWN: | PROJECTION | REV.:A3 | DRAWING NO.: |
|------|---|-----------|------------|-------------|----------------------------|-----------------|------------|------------------------|--------------|
| A3 | Uniformly arrange the drawings | Shen | 2021.08.30 | X.X ±0.30 | MX1.25 Ultra-thin Terminal | Shen 2021.08.30 | | 3 | 1253T01-A-S |
| A2 | Change the part number and frame format | TLX | 2020.05.14 | X.XX ±0.20 | | CHECKED: | | | |
| | | | | X.XXX ±0.10 | | APPROVED: | | | |
| | | | | Angle ±1° | UNIT:mm | SCALE:1/1 | SHEET:1/1 | PART NO.:T12530P***01A | |

KONNRA 东莞市康瑞电子有限公司
DongGuan Konnra Electronics Co.,Ltd.

PART NO.:T12530P***01A

REV.:A3 DRAWING NO.:1253T01-A-S