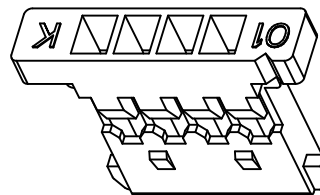
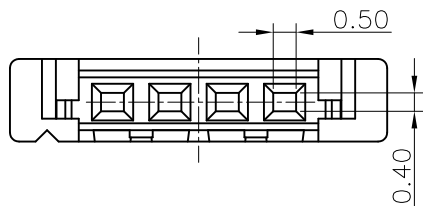


RoHS
COMPLIANT



3D View

◆ SPECIFICATIONS

- Current rating: 1A AC, DC
- Voltage rating: 125V AC, DC
- Temperature range: -40°C ~ +105°C
- Insulation resistance: 100MΩ Min.
- Withstanding voltage: 250V AC/ minute.
- Contact resistance: 20mΩ Max.

Material: Insulator: Nylon 66 UL 94V-0

Circuits: 2~15,20,30

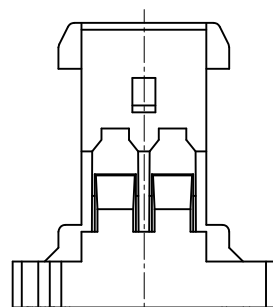
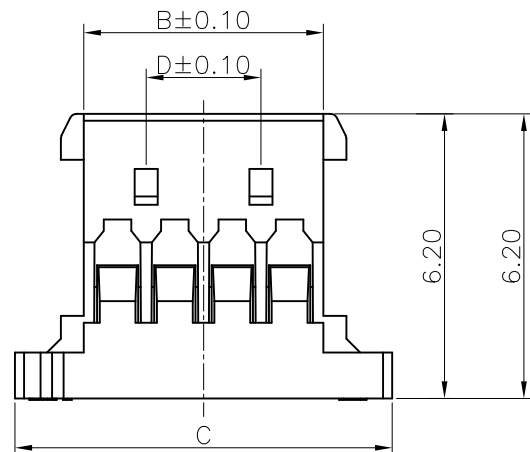
Suitable: KR1253 series Wafer

Ordering Code:

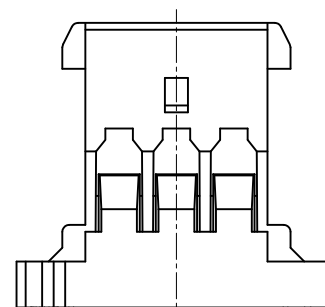
H125301****01A

102=02P
103=03P

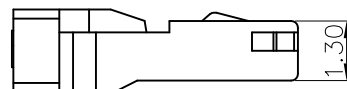
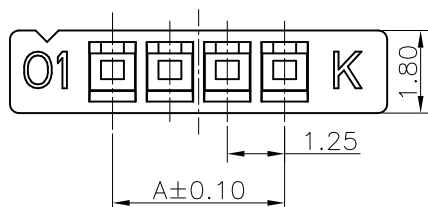
01:PA66 UL94 V-0 white
02:PA66 UL94 V-0 black
22:PA66 UL94 V-0 beige



2P



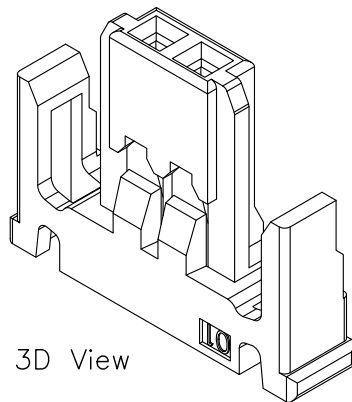
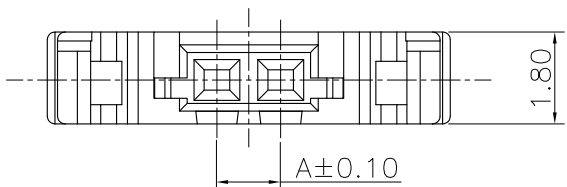
3P



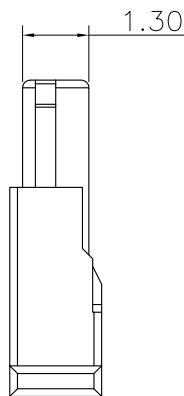
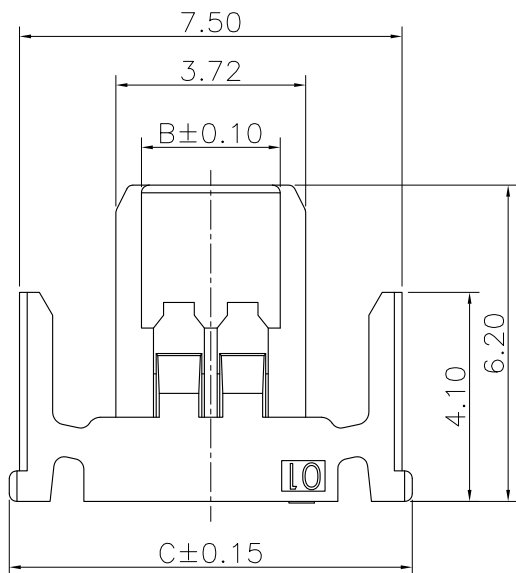
Pin	Dimension			
	A	B	C	D
2P	1.25	2.72	5.72	
3P	2.50	3.97	6.97	
4P	3.75	5.22	8.22	2.50
5P	5.00	6.47	9.47	3.75
6P	6.25	7.72	10.72	5.00
7P	7.50	8.97	11.97	6.25
8P	8.75	10.22	13.22	7.50
9P	10.0	11.47	14.47	8.75
10P	11.25	12.72	15.72	10.00
11P	12.50	13.97	16.97	11.25
12P	13.75	15.22	18.22	12.50
13P	15.00	16.47	19.47	13.75
14P	16.25	17.72	20.72	15.00
15P	17.50	18.97	21.97	16.25
16P	18.75	20.22	23.22	17.50
20P	23.75	25.22	28.22	22.50
30P	34.00	37.72	40.72	35.00

F		Uniformly arrange the drawings	Shen	2021.08.30	TOLERANCE X.X ±0.30 X.XX ±0.20 X.XXX ±0.10 Angle ±2°	TITLE: MX1.25 Ultra-thin Housing	DRAWN: Shen 2021.08.30		KONNRA 东莞市康瑞电子有限公司 DongGuan Konnra Electronics Co.,Ltd. PART NO.: H125301****01A REV.: A3 DRAWING NO.: 1253H01-A-S			
		Change the part number and frame format	TLX	2020.03.28			CHECKED:					
	MARK		REVISION DESCRIPTION	SIGNATURE			DATE	APPROVED:				
	1	2	3	4			5	6				7

RoHS
COMPLIANT



3D View



◆SPECIFICATIONS

- Current rating: 1A AC, DC
- Voltage rating: 125V AC,DC
- Temperature range: -40°C ~ +105°C
- Insulation resistance: 100MΩ Min.
- Withstanding voltage: 250V AC/ minute.
- Contact resistance: 20mΩ Max.

Material: Insulator: Nylon 66 UL 94V-0
Circuits: 2~15,20,30
Suitable: KR1253 series Wafer

Ordering Code:

H125301****01B
102=02P 01:PA66 UL94 V-0 white
103=03P 02:PA66 UL94 V-0 black
22:PA66 UL94 V-0 beige

Pin	Dimension		
	A	B	C
2P	1.25	2.72	5.72
3P	2.50	3.97	6.97
4P	3.75	5.22	8.22
5P	5.00	6.47	9.47
6P	6.25	7.72	10.72
7P	7.50	8.97	11.97
8P	8.75	10.22	13.22
9P	10.0	11.47	14.47
10P	11.25	12.72	15.72
11P	12.50	13.97	16.97
12P	13.75	15.22	18.22
13P	15.00	16.47	19.47
14P	16.25	17.72	20.72
15P	17.50	18.97	21.97
20P	23.75	25.22	28.22
30P	34.00	37.72	40.72

TOLERANCE
X.X ±0.30
X.XX ±0.20
X.XXX ±0.10
Angle ±2°

TITLE:
MX1.25 Ultra-thin
Housing, Inner
Buckle

DRAWN: Shen 2021.08.26
CHECKED:
APPROVED:

KONNRA 东莞市康瑞电子有限公司
DongGuan Konnra Electronics Co.,Ltd.

PART NO.: H125301****01B



New Specification

Shen

2021.08.26

MARK

REVISION DESCRIPTION

SIGNATURE

DATE

UNIT:mm

SCALE:1/1

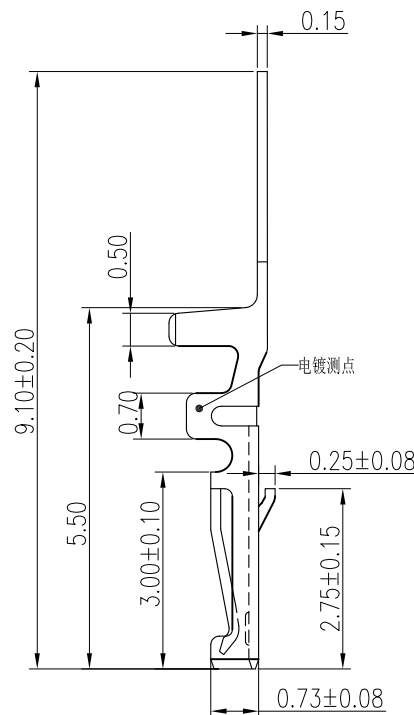
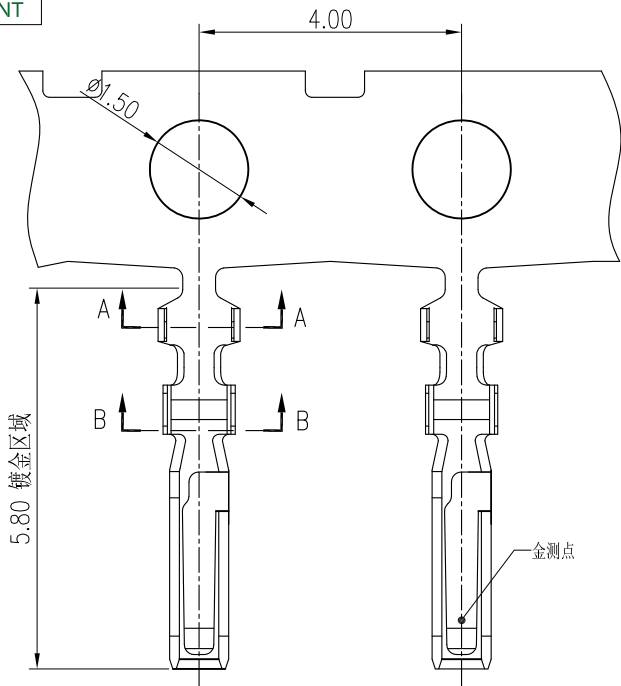
SHEET:1/1

PROJECTION

REV.:A1

DRAWING NO.:1253H01-B-S

RoHS
COMPLIANT



◆SPECIFICATIONS

- Current rating: 1A AC, DC
- Voltage rating: 125V AC,DC
- Temperature range: -40°C ~ +105°C
- Insulation resistance: 100MΩ Min.
- Withstanding voltage: 500V AC/ minute.
- Contact resistance: 20mΩ Max.

Material: Phosphor Bronze

Applicable wire:

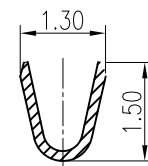
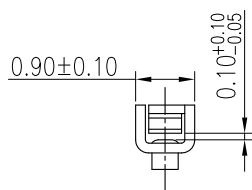
Conductor size: AWG#28~#32

Insulation O.D.: 0.6~0.9mm

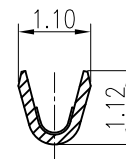
Mate: KR1253 series Housing

PLATING:

PART NO.	PLATING
T12530PG0201A	GOLD-PLATED
T12530PT0101A	TIN-PLATED



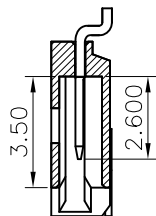
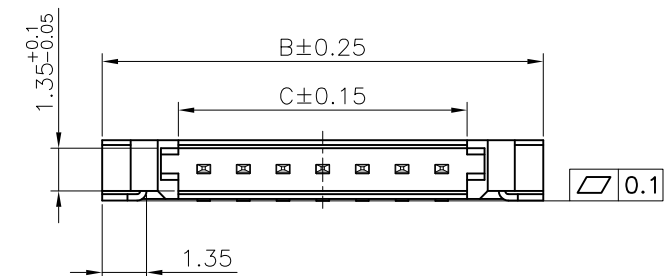
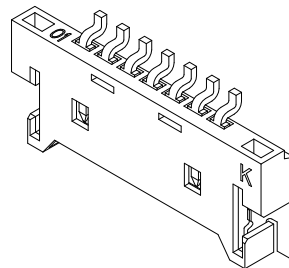
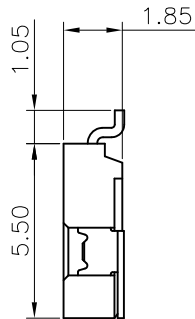
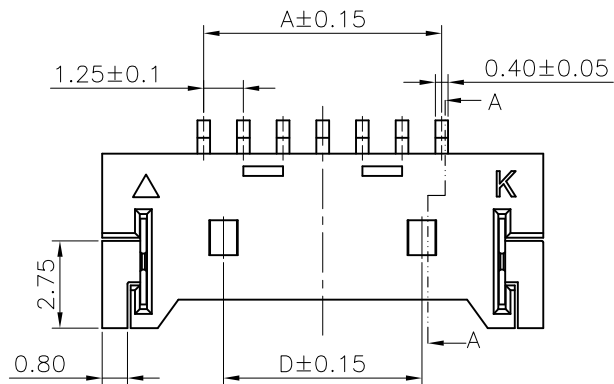
SECTION:A-A



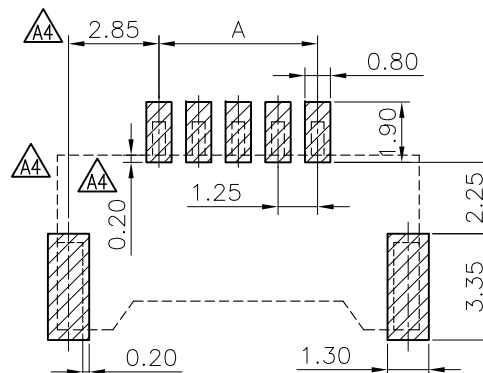
SECTION:B-B

MARK	REVISION DESCRIPTION	SIGNATURE	DATE	TOLERANCE	TITLE:	DRAWN:	CHECKED:	APPROVED:	REV.:A3	DRAWING NO.:
A3	Uniformly arrange the drawings	Shen	2021.08.30	X.X ±0.30	MX1.25 Ultra-thin Terminal	Shen 2021.08.30				KONNRA 东莞市康瑞电子有限公司 DongGuan Konnra Electronics Co.,Ltd. PART NO.:T12530P***01A DRAWING NO.:1253T01-A-S
A2	Change the part number and frame format	TLX	2020.05.14	X.XX ±0.20						
				X.XXX ±0.10						
				Angle ±1°	UNIT:mm	SCALE:1/1	SHEET:1/1	PROJECTION		

RoHS
COMPLIANT



SECTION A-A



Recommended P.C.Board Layout
General Tolerance:±0.05

◆SPECIFICATIONS

- Current rating: 1A AC, DC
- Voltage rating: 125V AC,DC
- Temperature range: -40°C ~ +105°C
- Insulation resistance: 100MΩ Min.
- Withstanding voltage: 500V AC/ minute.
- Contact resistance: 20mΩ Max.

Material:

Insulator: High temperature thermoplastics
Contact: Phosphro Bronze
Solder Nail: Brass

Plating: Gold plated over Nickel

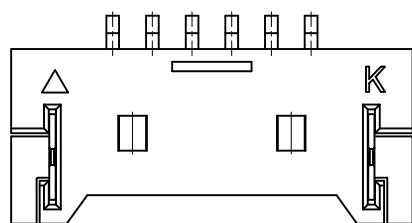
Circuits: 2~20,30

Suitable: KR1253 series Housing

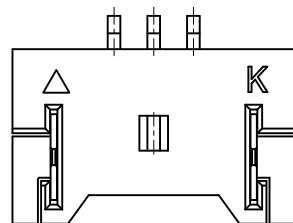
Ordering Code:

C1253RS 108 09 G01 01 RA

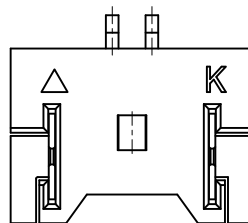
No.of Circuits	108	09	G01	01	RA
102:2,130:30				Type	
				00: HF	
				01: Standard	
Insulator Material				G01: G/F	
09:PA6T Natural				G02: Au 1u"	
10:PA6T Black					
11:PA9T Natural					



4-6P Circuits



3 Circuits



2 Circuits

CKT.	Dimensions				CKT.	Dimensions			
	A	B	C	D		A	B	C	D
02	1.25	7.65	2.85	/	10	11.25	17.65	12.85	10.00
03	2.50	8.90	4.10		12	13.75	20.15	15.35	12.50
04	3.75	10.15	5.35	2.50	14	16.25	22.65	17.85	15.00
05	5.00	11.40	6.60	3.75	15	17.50	23.90	19.10	16.25
06	6.25	12.65	7.85	5.00	18	21.25	27.65	22.85	20.00
07	7.50	13.90	9.10	6.25	20	23.75	30.15	25.35	22.50
08	8.75	15.15	10.35	7.50	30	36.25	42.65	37.85	22.50
09	10.00	16.40	11.60	8.75					

F		Uniformly arrange the drawings	Shen	2021.08.30
		Change the P.C.B Layout	Arvin	2021.01.27
LTR		REVISION DESCRIPTION	SIGNATURE	DATE

TOLERANCE	X.X ±0.30
	X.XX ±0.20
	X.XXX ±0.10
	Angle ±2°

TITLE:
MX1.25 Ultra-thin
SMT 90° WF

UNIT:mm SCALE:1/1

DRAWN: Shen 2021.08.30

CHECKED:

APPROVED:

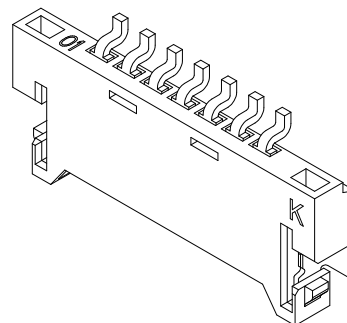
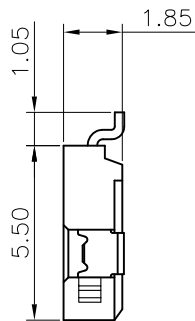
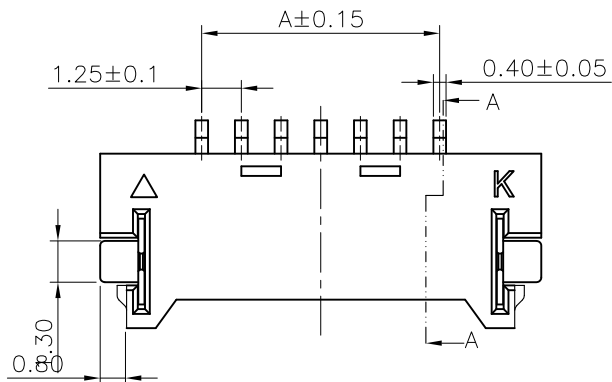
SHEET:1/1 PROJECTION

KONNRA 东莞市康瑞电子有限公司
DongGuan Konnra Electronics Co.,Ltd.

PART NO.:C1253RS*****A

VER.:A5 DRAWING NO.:1253WHS101-A-S

RoHS
COMPLIANT



◆SPECIFICATIONS

- Current rating: 1A AC, DC
- Voltage rating: 125V AC,DC
- Temperature range: -40°C ~ +105°C
- Insulation resistance: 100MΩ Min.
- Withstanding voltage: 500V AC/ minute.
- Contact resistance: 20mΩ Max.

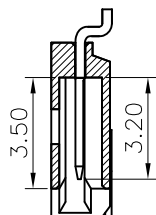
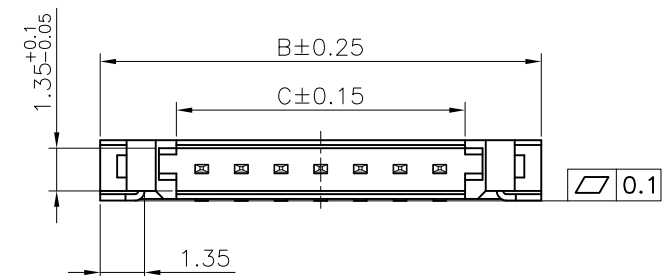
Material:

Insulator: High temperature thermoplastics
 Contact: Phosphro Bronze
 Solder Nail: Brass
 Plating: Gold plated over Nickel
 Circuits: 2~20,30
 Suitable: KR1253 series Housing
 Ordering Code:

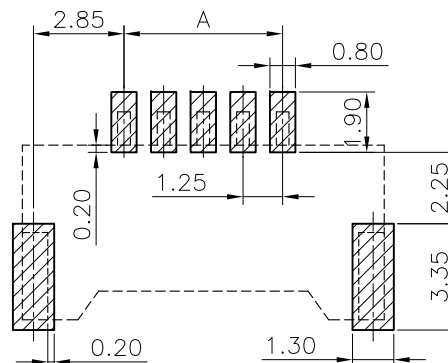
C1253RS 108 09 G01 01 RB

No.of Circuits 102:2,130:30 Type 00: HF 01: Standard

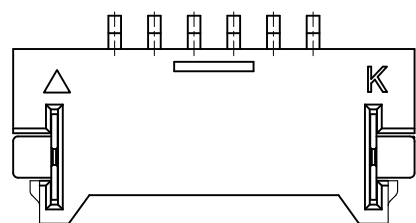
Insulator Material
 09:PA6T Natural
 10:PA6T Black
 11:PA9T Natural



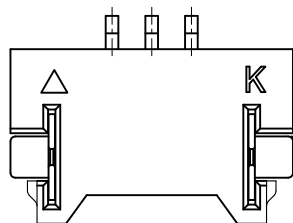
SECTION A-A



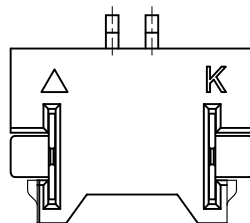
Recommended P.C.Board Layout
 General Tolerance:±0.05



4-6P Circuits



3 Circuits



2 Circuits

CKT.	Dimensions				CKT.	Dimensions			
	A	B	C	D		A	B	C	D
02	1.25	7.65	2.85	/	10	11.25	17.65	12.85	10.00
03	2.50	8.90	4.10		12	13.75	20.15	15.35	12.50
04	3.75	10.15	5.35	2.50	14	16.25	22.65	17.85	15.00
05	5.00	11.40	6.60	3.75	15	17.50	23.90	19.10	16.25
06	6.25	12.65	7.85	5.00	18	21.25	27.65	22.85	20.00
07	7.50	13.90	9.10	6.25	20	23.75	30.15	25.35	22.50
08	8.75	15.15	10.35	7.50	30	36.25	42.65	37.85	22.50
09	10.00	16.40	11.60	8.75					

TOLERANCE
 X.X ±0.30
 X.XX ±0.20
 X.XXX ±0.10
 Angle ±2°

TITLE:
 MX1.25 Ultra-thin
 SMT 90° WF, Inner
 Buckle

UNIT:mm SCALE:1/1

DRAWN: Shen 2021.08.30

CHECKED:

APPROVED:

SHEET:1/1

PROJECTION

KONNRA 东莞市康瑞电子有限公司
 DongGuan Konnra Electronics Co.,Ltd.

PART NO.:C1253RS*****G01**B

VER.:A1 DRAWING NO.:1253WHS101-B-S



New Specification

Shen

2021.09.29

LTR

REVISION DESCRIPTION

SIGNATURE

DATE

1

2

3

4

5

6

7

8

9