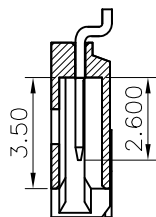
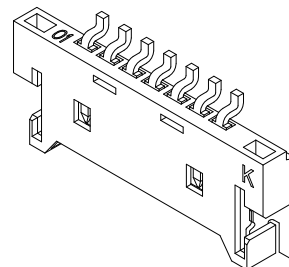
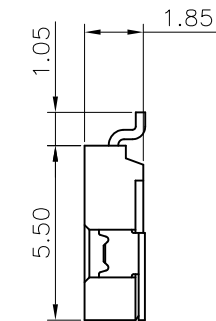
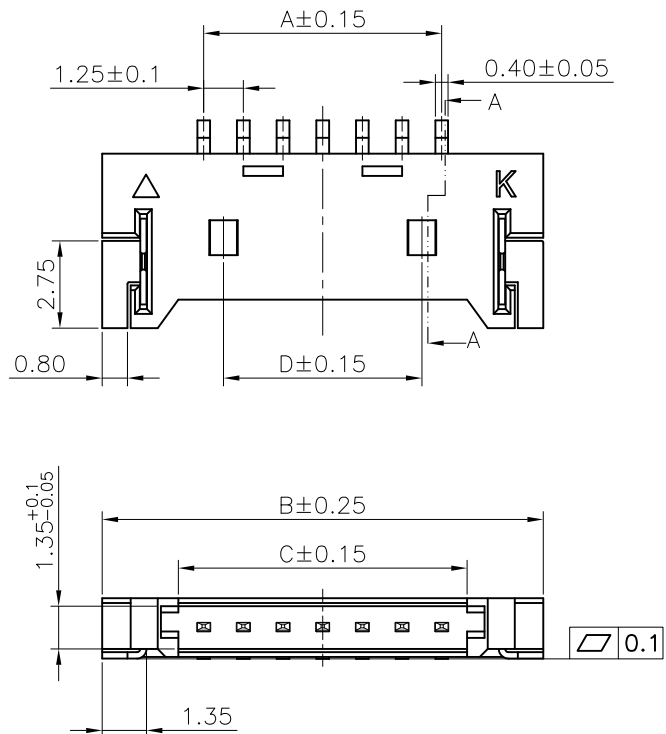
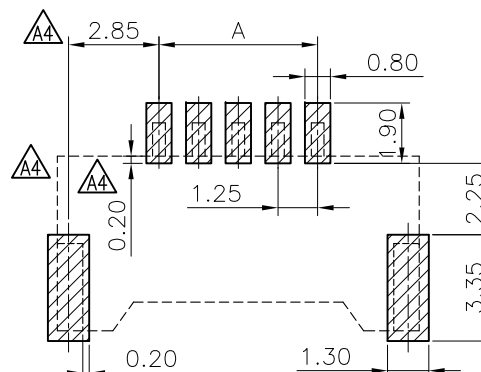


RoHS
COMPLIANT



SECTION A-A



Recommended P.C.Board Layout
General Tolerance:±0.05

◆SPECIFICATIONS

- Current rating: 1A AC, DC
- Voltage rating: 125V AC,DC
- Temperature range: -40°C ~ +105°C
- Insulation resistance: 100MΩ Min.
- Withstanding voltage: 500V AC/ minute.
- Contact resistance: 20mΩ Max.

Material:

Insulator: High temperature thermoplastics
Contact: Phosphro Bronze
Solder Nail: Brass

Plating: Gold plated over Nickel

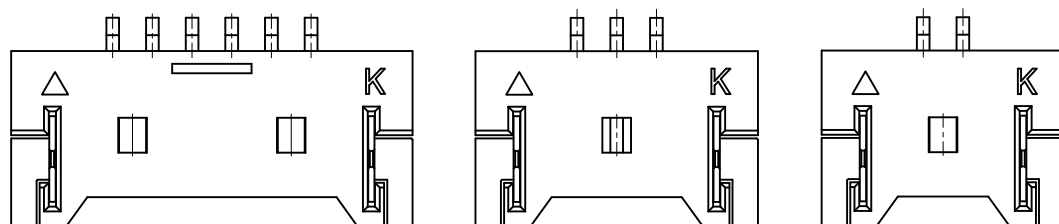
Circuits: 2~20,30

Suitable: KR1253 series Housing

Ordering Code:

C1253RS 108 09 G01 01 RA

No.of Circuits	102:2,130:30	Type	00: HF
			01: Standard
Insulator Material		G01: G/F	
09:PA6T Natural		G02: Au 1u"	
10:PA6T Black			
11:PA9T Natural			



4-6P Circuits

3 Circuits

2 Circuits

CKT.	Dimensions				CKT.	Dimensions			
	A	B	C	D		A	B	C	D
02	1.25	7.65	2.85	/	10	11.25	17.65	12.85	10.00
03	2.50	8.90	4.10		12	13.75	20.15	15.35	12.50
04	3.75	10.15	5.35	2.50	14	16.25	22.65	17.85	15.00
05	5.00	11.40	6.60	3.75	15	17.50	23.90	19.10	16.25
06	6.25	12.65	7.85	5.00	18	21.25	27.65	22.85	20.00
07	7.50	13.90	9.10	6.25	20	23.75	30.15	25.35	22.50
08	8.75	15.15	10.35	7.50	30	36.25	42.65	37.85	22.50
09	10.00	16.40	11.60	8.75					

F		Uniformly arrange the drawings	Shen	2021.08.30	TOLERANCE X.X ±0.30 X.XX ±0.20 X.XXX ±0.10 Angle ±2°	TITLE: MX1.25 Ultra-thin SMT 90° WF	DRAWN: Shen 2021.08.30	KONNRA 东莞市康瑞电子有限公司 DongGuan Konnra Electronics Co.,Ltd.		
		Change the P.C.B Layout	Arvin	2021.01.27			CHECKED:		APPROVED:	PART NO.:C1253RS*****A
LTR	REVISION DESCRIPTION		SIGNATURE	DATE	UNIT:mm	SCALE:1/1	SHEET:1/1	PROJECTION	VER.:A5	DRAWING NO.:1253WHS101-A-S