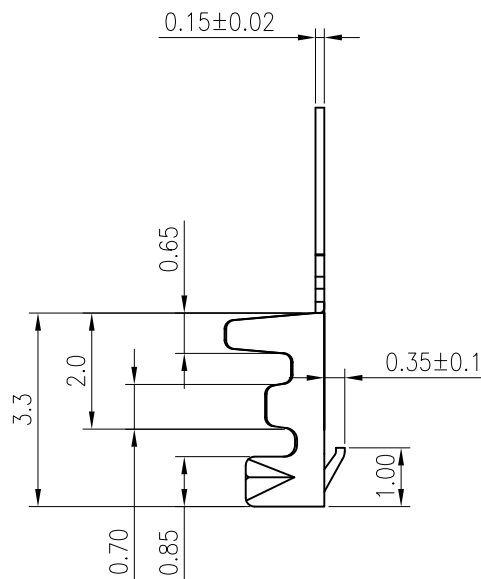
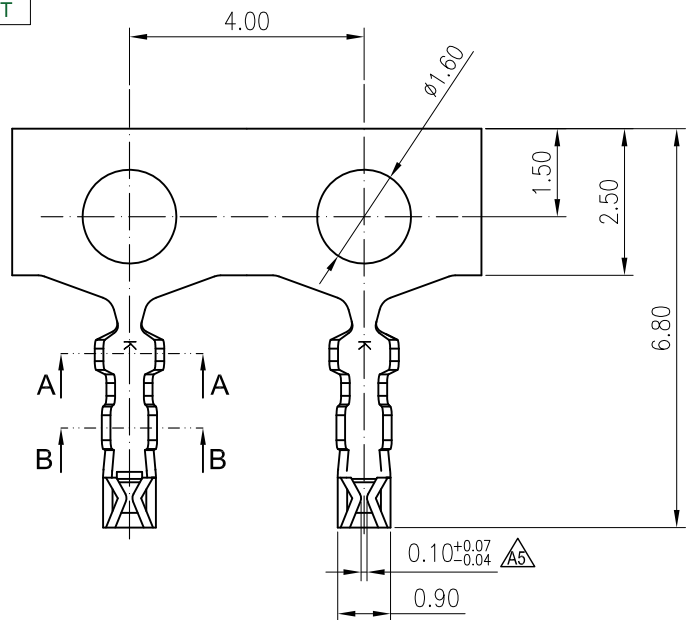


**RoHS**  
COMPLIANT



◆SPECIFICATIONS

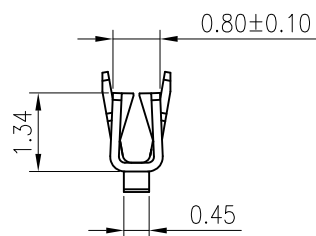
- Current rating: 1A AC, DC
- Voltage rating: 125V AC,DC
- Temperature range: -40°C ~ +105°C
- Insulation resistance: 100MΩ Min.
- Withstanding voltage: 250V AC/ minute.
- Contact resistance: 20mΩ Max.

**Terminal:**

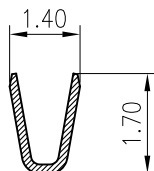
Material: Phosphor Bronze  
 Finish: Tin Plated over Nickel  
 Applicable wires:  
 AWG #28~#32  
 Insulation O.D.: 1.0mm Max.  
 Suitable:KR1250 series Housing  
 Qty/reel:15,000PCS

PART NO. :  
 T1250FP\*\*\*01A

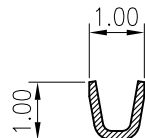
—S00:Material  
 T01:Bright Tin  
 G01:Au 0.8u"  
 G02:Au 1u"  
 G03:Au 2u"  
 G05:Au 10u"



**SECTION A-A**



**SECTION B-B**



F		TOLERANCE		TITLE:		DRAWN: Shen 2021.08.30		KONNRA 东莞市康瑞电子有限公司	
△A6		Uniformly arrange the drawings	Shen	2021.08.30	MX1.25 Terminal		CHECKED:		DongGuan Konnra Electronics Co.,Ltd.
△A5		Add The Gap Size	ZZN	2021.04.07			APPROVED:		PART NO.:T1250FP***01A
MARK	REVISION DESCRIPTION	SIGNATURE	DATE	Angle ±2°	UNIT:mm	SCALE:1:1	SHEET:1/1	PROJECTION	REV.:A6 DRAWING NO.:1250T101-A-S
1	2	3	4	5	6	7	8	9	