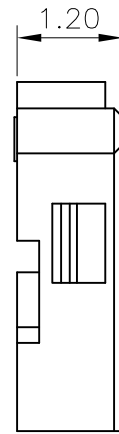
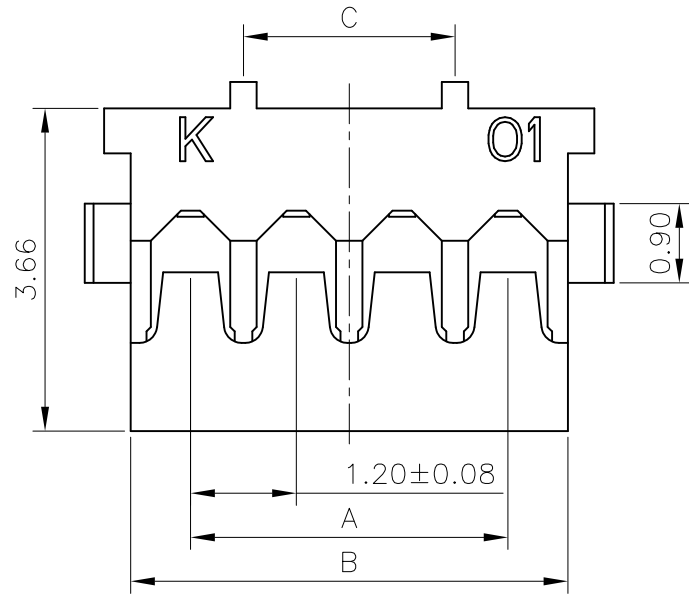


RoHS
COMPLIANT



◆ SPECIFICATIONS

- Current rating: 1.5A AC, DC
- Voltage rating: 50V AC, DC
- Temperature range: -40°C ~ +105°C
- Insulation resistance: 100MΩ Min.
- Withstanding voltage: 500V AC/ minute.
- Contact resistance: 20mΩ Max.

Material: Nylon 46 UL94V-0

Suitable: 1201 series Crimp Terminal

Ordering Code:

H12010 *** ** ** A

102=2P

103=3P

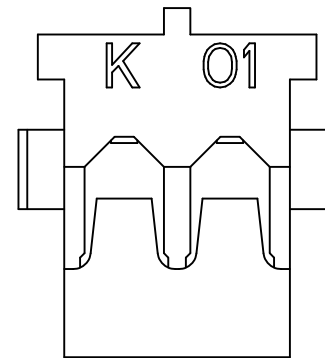
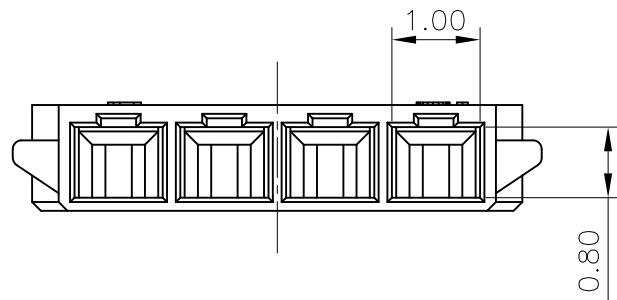
00: Halogen free

01: Conventional products

07: PA46 Natural

13: LCP Natural

14: LCP Black

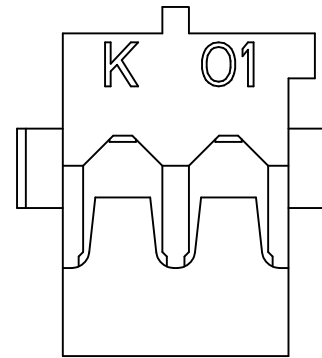
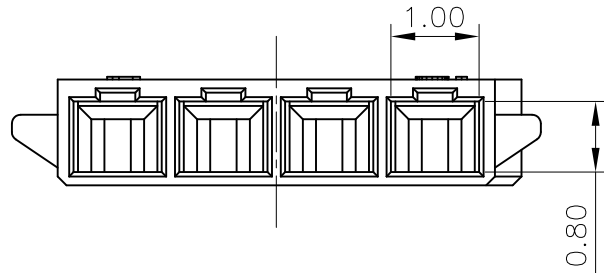
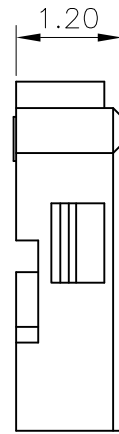
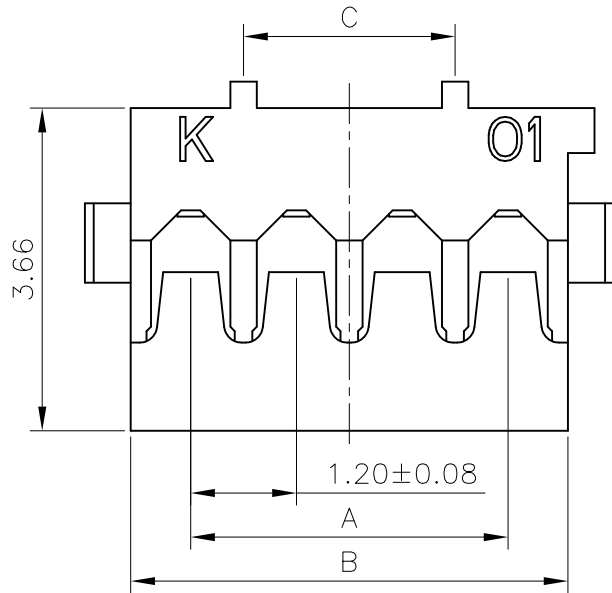


2P View

PIN.	Dimension		
	A	B	C
2P	1.20	2.60	/
3P	2.40	3.80	1.20
4P	3.60	5.00	2.40
5P	4.80	6.20	3.60
6P	6.00	7.40	4.80
7P	7.20	8.60	6.00

F		Add specification	ZSZ	2021.11.22	TOLERANCE X.X ±0.30 X.XX ±0.20 X.XXX ±0.10 Angle ±2°	TITLE: ACH1.2 Housing	DRAWN: <i>ZSZ 2021.11.22</i>		KONNRA 东莞市康瑞电子有限公司		
		Uniformly arrange the drawings	Shen	2021.08.30			CHECKED:		DongGuan Konnra Electronics Co.,Ltd.		
		Change the part number and frame format	TLX	2020.03.28			APPROVED:		PART NO.: H12010***0701A		
	MARK	REVISION DESCRIPTION	SIGNATURE	DATE			UNIT:mm	SCALE: 1/1	SHEET: 1/1	PROJECTION	REV.: A4
	1	2	3	4	5	6	7	8	9		

RoHS
COMPLIANT



2P View

◆ SPECIFICATIONS

- Current rating: 1.5A AC, DC
- Voltage rating: 50V AC,DC
- Temperature range: -40°C ~ +105°C
- Insulation resistance: 100MΩ Min.
- Withstanding voltage: 500V AC/ minute.
- Contact resistance: 20mΩ Max.

Material: Nylon 46 UL94V-0
Suitable: 1201 series Crimp Terminal

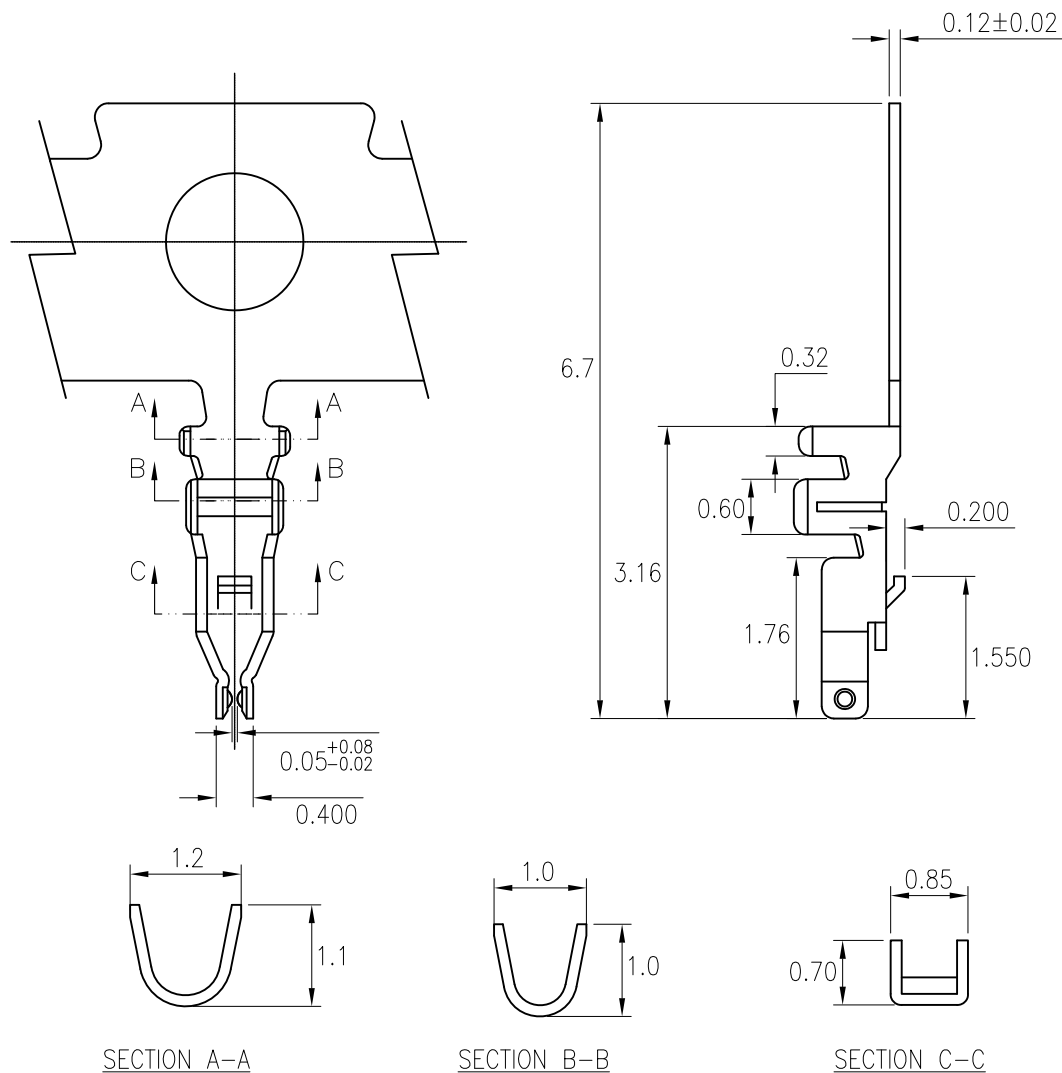
Ordering Code:

H12010 *** 07 02A
102=2P 07:PA46 Natural
103=3P 23:PA46 Grey

PIN.	Dimension		
	A	B	C
2P	1.20	2.60	/
3P	2.40	3.80	1.20
4P	3.60	5.00	2.40
5P	4.80	6.20	3.60
6P	6.00	7.40	4.80
7P	7.20	8.60	6.00

F		Uniformly arrange the drawings	Shen	2021.08.30	TOLERANCE X.X ±0.30 X.XX ±0.20 X.XXX ±0.10 Angle ±2°	TITLE: ACH1.2 Housing Unilateral ear buckle	DRAWN: Shen 2021.08.30		KONNRA 东莞市康瑞电子有限公司 DongGuan Konnra Electronics Co.,Ltd.		
		Change the part number and frame format	TLX	2020.03.28			CHECKED:				
		MARK	REVISION DESCRIPTION	SIGNATURE			DATE	UNIT:mm	SCALE:1/1	SHEET:1/1	PROJECTION
1	2	3	4	5	6	7	8	9	DRAWING NO.:1201H02-A-S		

RoHS
COMPLIANT



◆ SPECIFICATIONS

- Current rating: 1.5A AC, DC
- Voltage rating: 50V AC, DC
- Temperature range: -40°C ~ +105°C
- Insulation resistance: 100MΩ Min.
- Withstanding voltage: 500V AC/ minute.
- Contact resistance: 20m Ω Max.

Applicable Wires:

AWG#28~#30

Insulation O.D. : 0.75mm MAX

Material: Phosphor Bronze

Finish: Gold-plated over Nickel

Suitable: 1200 series Crimp Housing

Q'ty: 25,000 PCS/Reel

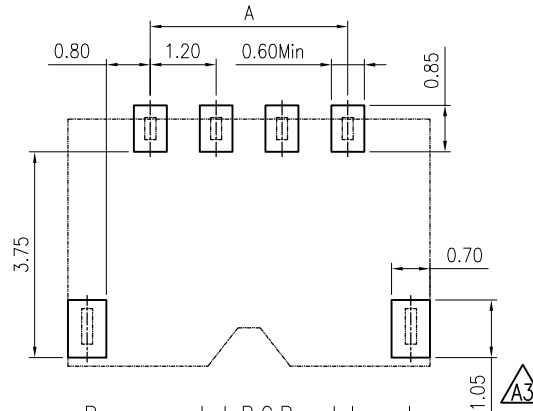
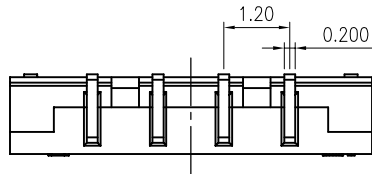
Ordering Code:

T12000P***01A

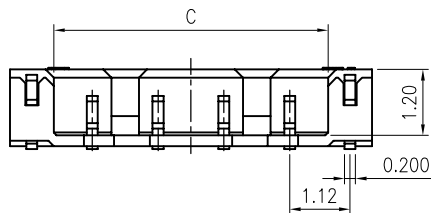
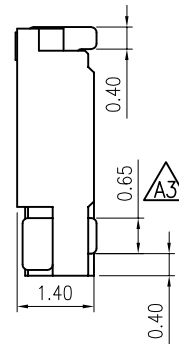
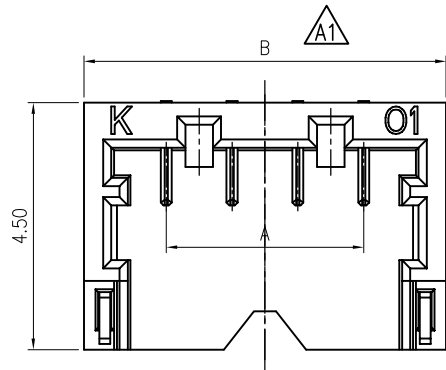
G02: Au 1u"

				TOLERANCE		TITLE:		DRAWN: Shen 2021.10.11		KONNRA 东莞市康瑞电子有限公司	
F		Uniformly arrange the drawings		Shen 2021.10.11		MX1.2 Terminal		CHECKED:		DongGuan Konnra Electronics Co.,Ltd.	
		Change the part number and frame format		TLX 2020.05.09				APPROVED:		PART NO.: T12000P***01A	
MARK		REVISION DESCRIPTION		SIGNATURE		DATE		UNIT:mm SCALE: 1/1 SHEET: 1/1 PROJECTION		REV.: A4 DRAWING NO.: 1200T101-A-S	
1	2	3	4	5	6	7	8	9			

RoHS
COMPLIANT



Recommended P.C.Board Layout
Total tolerance:±0.05mm



◆SPECIFICATIONS

- Current rating: 1.5A AC, DC
- Voltage rating: 50V AC,DC
- Temperature range: -40°C ~ +105°C
- Insulation resistance: 100MΩ Min.
- Withstanding voltage: 500V AC/ minute.
- Contact resistance: 20m Ω Max.

Material:

Insulator: PA9T/LCP UL 94V-0
Contact: Phosphor bronze
Solder Tab: Brass

Plating:

Contact: Gold plated over nickel
Solder Tab: Tin plated over nickel

Circuits: 2-8

Suitable: 1201 series Housing

C1201RS *** ** G02 01 RA

PIN

102=2P

103=3P.....

00: Halogen free
01: Standard

Material:

13: LCP Natural
11: PA9T Natural

PIN NO.	DIMENSIONS		
	A	B	C
02P	1.20	4.30	2.64
03P	2.40	5.50	3.84
04P	3.60	6.70	5.04
05P	4.80	7.90	6.24
06P	6.00	9.10	7.44
07P	7.20	10.30	8.64

A4

Change the Solder tail size from 0.40 to 0.65

Ru yi

2021.10.21

TOLERANCE

X.X ±0.30

X.XX ±0.20

X.XXX ±0.10

Angle ±2°

TITLE:

ACH1.2 SM² 90° Wafer

DRAWN: ru yi 2020.03.10

CHECKED:

APPROVED:

KONNRA 东莞市康瑞电子有限公司

DongGuan Konnra Electronics Co.,Ltd.

PART NO. : C1201RS*****G0201RA

REV. : A3

DRAWING NO. : 1201WHS101-A-S

MARK

1

2

3

4

5

6

7

8

9