

RoHS
COMPLIANT

◆ SPECIFICATIONS

- Current rating: 1A AC, DC
- Voltage rating: 50V AC, DC
- Temperature range: -40°C ~ +105°C
- Insulation resistance: 100MΩ Min.
- Withstanding voltage: 500V AC/ minute.
- Contact resistance: 20mΩ Max.

Material: PBT UL 94V-0

Circuits: 2~20

Suitable: KR1000 series Terminal

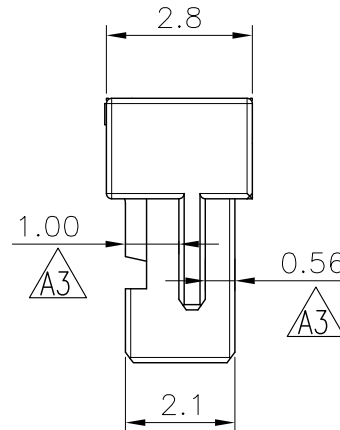
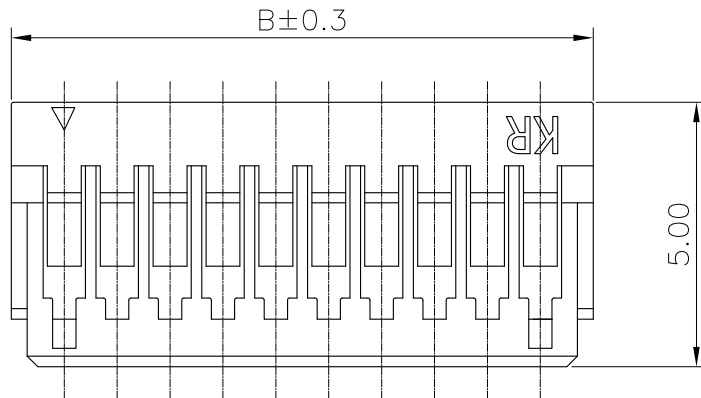
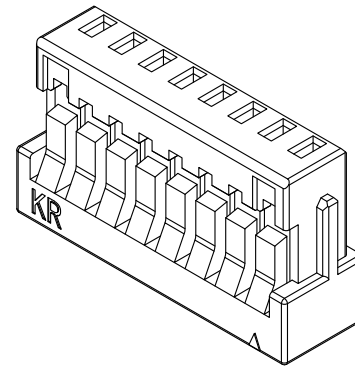
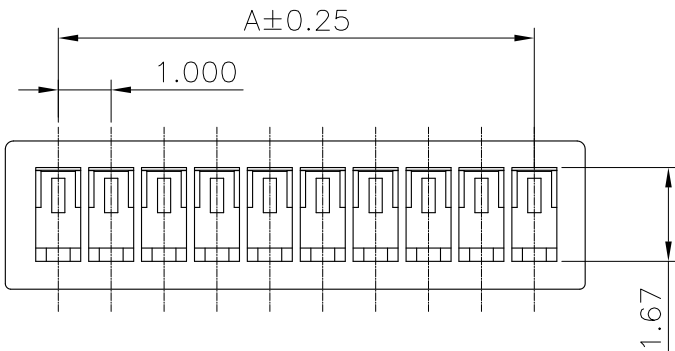
Mates With KR1000 Series Single Row Wafer

Ordering code:

H100001****02A

PIN	01:PA66 UL94 V-0 white
102=2P	02:PA66 UL94 V-0 black
112=12P	24:PBT white

PART NO.	Dimensions		PART NO.	Dimensions	
	A	B		A	B
H10000102**02A	1.00	3.00	H10000113**02A	12.00	14.00
H10000103**02A	2.00	4.00	H10000114**02A	13.00	15.00
H10000104**02A	3.00	5.00	H10000115**02A	14.00	16.00
H10000105**02A	4.00	6.00	H10000116**02A	15.00	17.00
H10000106**02A	5.00	7.00	H10000117**02A	16.00	18.00
H10000107**02A	6.00	8.00	H10000118**02A	17.00	19.00
H10000108**02A	7.00	9.00	H10000119**02A	18.00	20.00
H10000109**02A	8.00	10.00	H10000120**02A	19.00	21.00
H10000110**02A	9.00	11.00			
H10000111**02A	10.00	12.00			
H10000112**02A	11.00	13.00			



F	△A05	Add KR LOGO	ZSZ	2023.05.30	TOLERANCE X.X ±0.30 X.XX ±0.20 X.XXX ±0.10 Angle ±2°	TITLE: SH 1.0 Housing No Ear	DRAWN: <i>72X 2021.08.23</i>		KONNRA 东莞市康瑞电子有限公司 DongGuan Konnra Electronics Co.,Ltd.
	△A04	Uniformly arrange the drawings	Shen	2021.08.23			CHECKED: <i>Shen 2021.08.23</i>		
	△A03	Add Dimensions	ZZN	2021.05.19			APPROVED:		
	MARK	REVISION DESCRIPTION	SIGNATURE	DATE			UNIT:mm	SCALE:1/1	

RoHS
COMPLIANT

SPECIFICATIONS

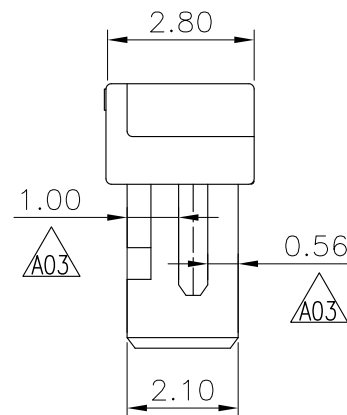
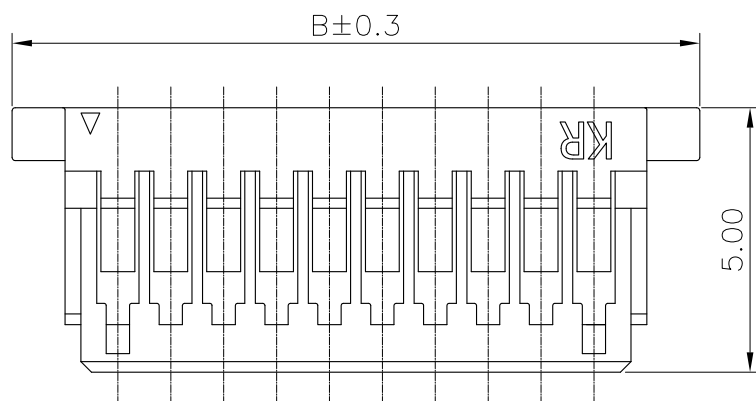
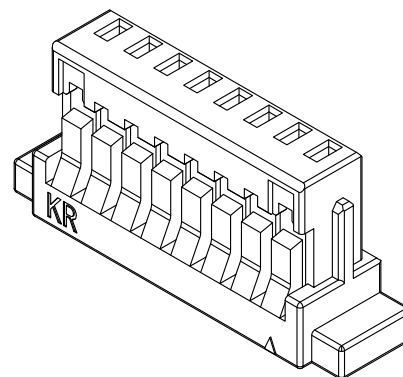
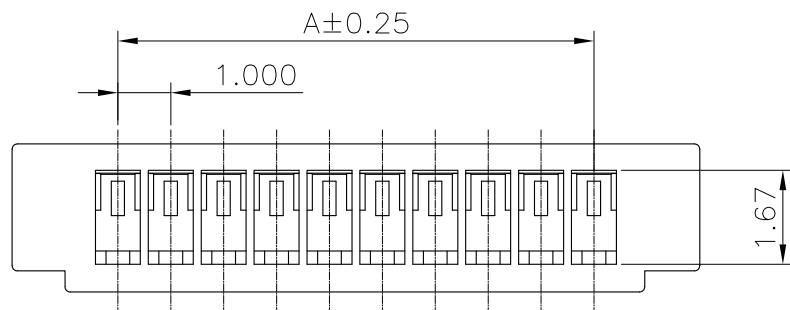
1. Current rating: 1A AC, DC
2. Voltage rating: 50V AC,DC
3. Temperature range: -40°C ~ +105°C
4. Insulation resistance: 100MΩ Min.
5. Withstanding voltage: 500V AC/ minute.
6. Contact resistance: 20mΩ Max.

Material: PBT or PA66 UL 94V-0
Circuits: 2~20
suitable: kr1000 series terminal
Mate With KR1000 series single row wafer

Ordering code:

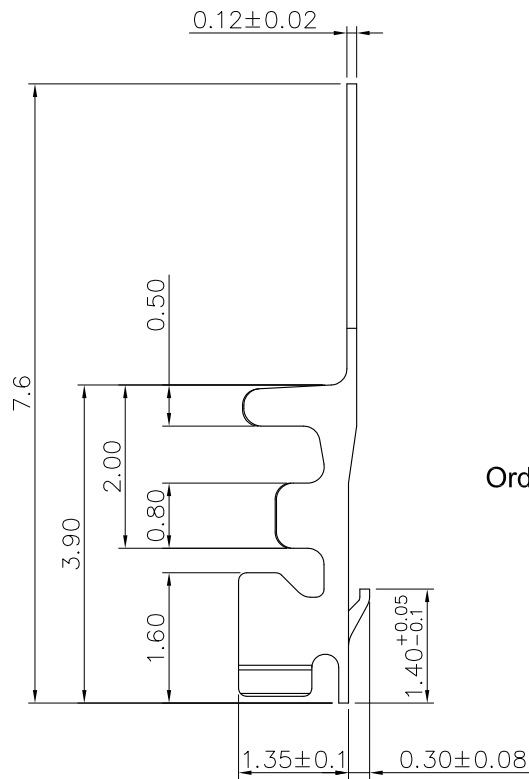
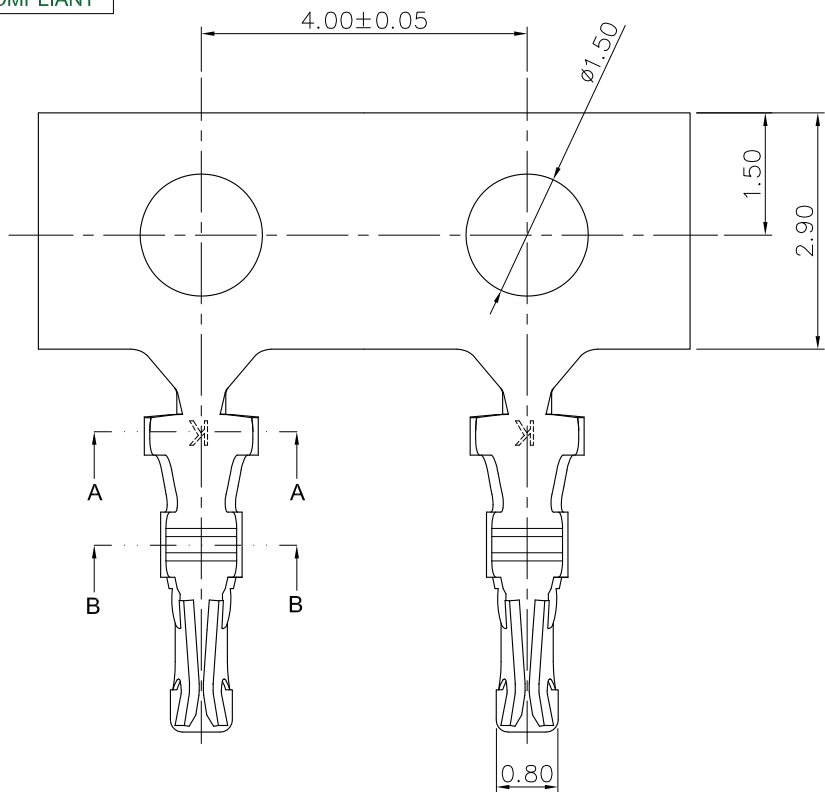
H10000 *** ** ** A
 No.of Circuits } Type
 102:2,115:15 } 00:HF
 Insulator Material } 01:Standard
 01:PA66 White V0
 02:PA66 Black V0
 24:PBT White

Circuits	Dimensions		Circuits	Dimensions	
	A	B		A	B
2	1.00	5.00	12	11.00	15.00
3	2.00	6.00	13	12.00	16.00
4	3.00	7.00	14	13.00	17.00
5	4.00	8.00	15	14.00	18.00
6	5.00	9.00	16	15.00	19.00
7	6.00	10.00	17	16.00	20.00
8	7.00	11.00	18	17.00	21.00
9	8.00	12.00	19	18.00	22.00
10	9.00	13.00	20	19.00	23.00
11	10.00	14.00			



F		Add KR LOGO	ZSZ	2023.05.30	TOLERANCE X.X ±0.30 X.XX ±0.20 X.XXX ±0.10 Angle ±2°	TITLE: SH 1.0 Housing Have Ear	DRAWN: <i>ZZN</i> 2021.05.19	KONNRA 东莞市康瑞电子有限公司 DongGuan Konnra Electronics Co.,Ltd.
		Uniformly arrange the drawings	Shen	2021.08.23			CHECKED: <i>Shen</i> 2021.08.23	
		Add Dimensions	ZZN	2021.05.19			APPROVED:	
	MARK	REVISION DESCRIPTION	SIGNATURE	DATE			UNIT:mm SCALE:N/A SHEET:1/1 PROJECTION	

RoHS
COMPLIANT



◆ SPECIFICATIONS

- Current rating: 1A AC, DC
- Voltage rating: 50V AC, DC
- Temperature range: -40°C ~ +105°C
- Insulation resistance: 100MΩ Min.
- Withstanding voltage: 500V AC/ minute.
- Contact resistance: 20mΩ Max.

Material: Phosphor Bronze
 Finish: Gold plated 1u" min. over Nickel
 Applicable wires: AWG #28~#32
 Insulation O.D 0.4 to 0.8mm
 Suitable: KR1000 series Housing
 Qty/reel: 20,000PCS

Ordering Code:

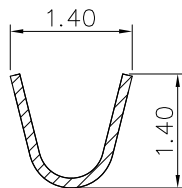
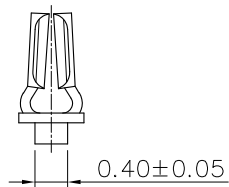
T10000P *** 01A

└ Plating

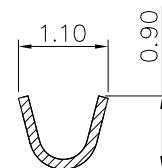
T01: Tin plated

G02: Gold plated (Au 1u")

G03: Gold plated (Au 3u")



SECTION A-A



SECTION B-B

F	A3	Uniformly arrange the drawings	Shen	2021.08.23	TOLERANCE X.X ±0.3 X.XX ±0.2 X.XXX ±0.1 Angle ±2°	TITLE: SH1.0 Terminal	DRAWN: TLX 2021.08.23		KONNRA 东莞市康瑞电子有限公司 DongGuan Konnra Electronics Co.,Ltd.					
		A2	Change the part number and frame format	TLX			2020.04.21	CHECKED: Shen 2021.08.23						
	MARK		REVISION DESCRIPTION	SIGNATURE			DATE	UNIT:mm	SCALE:1/1	SHEET:1/1	PROJECTION	REV.:A3	PART NO.:T10000P***01A	
	1	2	3	4			5	6	7	8	9	DRAWING NO.:100T01-A-S		

RoHS
COMPLIANT

SPECIFICATIONS

1. Current rating: 1A AC, DC
2. Voltage rating: 50V AC,DC
3. Temperature range: -40°C ~ +105°C
4. Insulation resistance: 100MΩ Min.
5. ithstanding voltage: 500V AC/ minute.
6. Contact resistance: 20m Ω Max.

Material:

Insulator: PA9T/LCP UL 94V-0

Contact: Copper alloy/Tin plated over Nickel

Fitting Nail: Copper alloy/Tin plated over Nickel

Circuits: 2~20

Mates With KR1000 Series Single Row Housing

Ordering code:

C1000VS *** ** ** RA

102:2P

120:20P

00:Halogen free

01:Conventional products

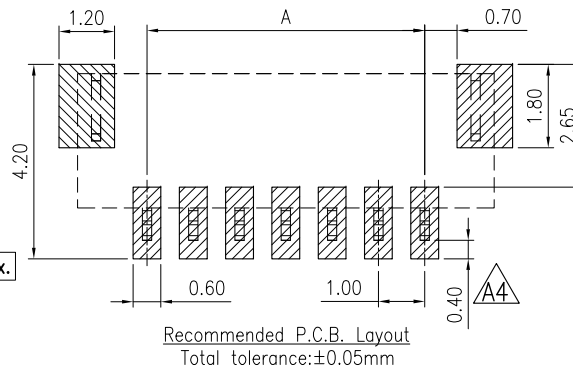
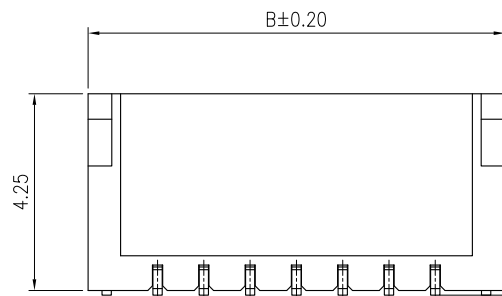
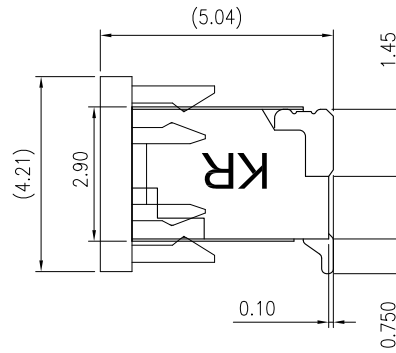
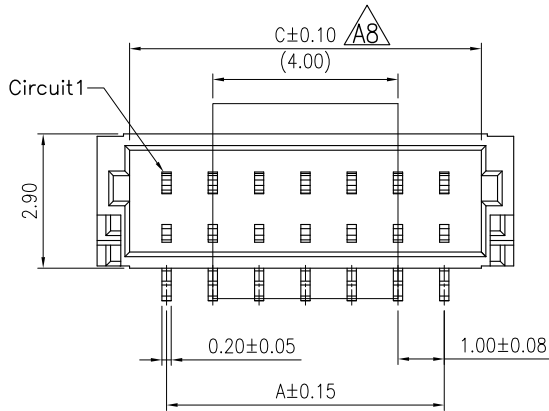
M01:Matte tin plating

T01:Bright plating

11:PA9T Natural $\triangle A$

12:PA9T Black

13:LCP Natural



PIN NO.	DIMENSIONS			PIN NO.	DIMENSIONS		
	A	B	C		A	B	C
02P	1.00	4.00	2.49	12P	11.00	14.00	12.49
03P	2.00	5.00	3.49	13P	12.00	15.00	13.49
04P	3.00	6.00	4.49	14P	13.00	16.00	14.49
05P	4.00	7.00	5.49	15P	14.00	17.00	15.49
06P	5.00	8.00	6.49	16P	15.00	18.00	16.49
07P	6.00	9.00	7.49	17P	16.00	19.00	17.49
08P	7.00	10.00	8.49	18P	17.00	20.00	18.49
09P	8.00	11.00	9.49	19P	18.00	21.00	19.49
10P	9.00	12.00	10.49	20P	19.00	22.00	20.49
11P	10.00	13.00	11.49				

F	$\triangle A8$	Modify Size	ZSZ	2023.03.03	TOLERANCE TITLE: SH1.0 SMT 180° WF	DRAWN: <i>72X 2021.08.23</i>		KONNRA 东莞市康瑞电子有限公司 DongGuan Konnra Electronics Co.,Ltd.	
	$\triangle A7$	Correct the part number code	Arvin	2022.05.31		CHECKED: <i>Shen 2021.08.23</i>			
	$\triangle A6$	Changed from 0.12 to 0.10	Arvin	2022.03.17		APPROVED:		PART NO.: C1000VS1*****RA	
	MARK	REVISION DESCRIPTION	SIGNATURE	DATE		UNIT:mm	SCALE:N/A	SHEET:1/1	PROJECTION

RoHS
COMPLIANT

SPECIFICATIONS

1. Current rating: 1A AC, DC
2. Voltage rating: 50V AC,DC
3. Temperature range: -40°C ~ +105°C
4. Insulation resistance: 100MΩ Min.
5. ithstanding voltage: 500V AC/ minute.
6. Contact resistance: 20m Ω Max.

Material:

Insulator: PA9T/LCP UL 94V-0

Contact: Copper alloy/Tin plated over Nickel

Fitting Nail: Copper alloy/Tin plated over Nickel

Circuits: 2~20

Mates With KR1000 Series Single Row Housing

Ordering code:

C1000RS *** ** ** RA

102:2P

120:20P

00:Halogen free

01:Conventional products

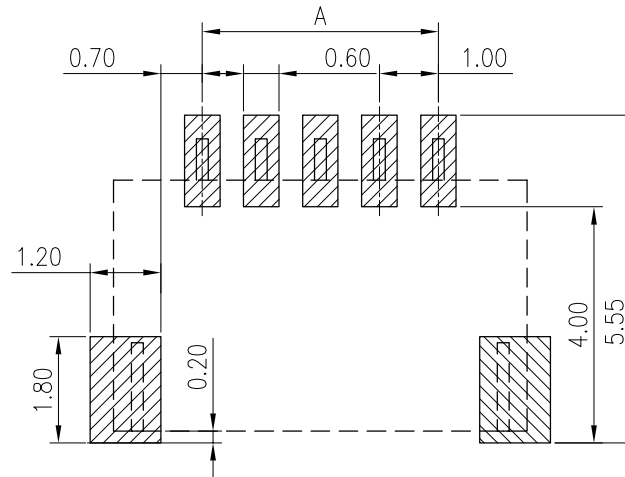
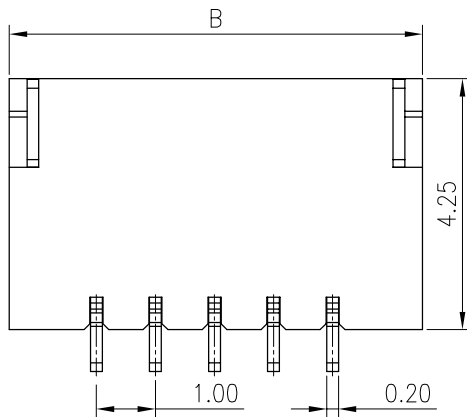
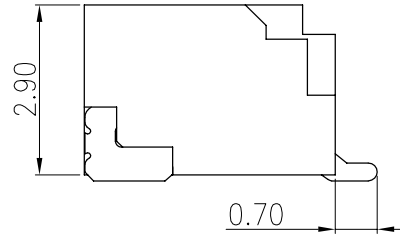
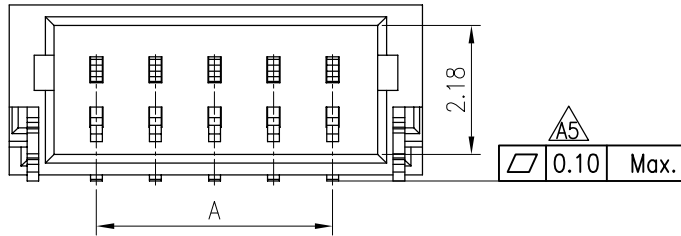
M01:Matte tin plating

T01:Bright plating

11:PA9T Natural $\triangle A6$

12:PA9T Black

13:LCP Natural



Recommended P.C.B. Layout
Total tolerance:±0.05mm

PIN NO.	DIMENSIONS		PIN NO.	DIMENSIONS	
	A	B		A	B
02P	1.00	4.00	12P	11.00	14.00
03P	2.00	5.00	13P	12.00	15.00
04P	3.00	6.00	14P	13.00	16.00
05P	4.00	7.00	15P	14.00	17.00
06P	5.00	8.00	16P	15.00	18.00
07P	6.00	9.00	17P	16.00	19.00
08P	7.00	10.00	18P	17.00	20.00
09P	8.00	11.00	19P	18.00	21.00
10P	9.00	12.00	20P	19.00	22.00
11P	10.00	13.00			

F	$\triangle A6$	Correct the part number code	Arvin	2022.05.31	TOLERANCE X.X ±0.30 X.XX ±0.20 X.XXX ±0.10 Angle ±2°	TITLE: SH1.0 SMT 90° WF	DRAWN: TLX 2021.08.23 CHECKED: SHEN 2021.08.23 APPROVED:	KONNRA 东莞市康瑞电子有限公司 DongGuan Konnra Electronics Co., Ltd.
	$\triangle A5$	Changed from 0.12 to 0.10	Arvin	2022.03.17				
	$\triangle A4$	Uniformly arrange the drawings	Shen	2021.08.23				
	MARK	REVISION DESCRIPTION	SIGNATURE	DATE				
	1	2	3	4	5	6	7	8

PART NO. : C1000RS1*****01RA

REV. : A6 DRAWING NO. : 1000WHS101-A-S