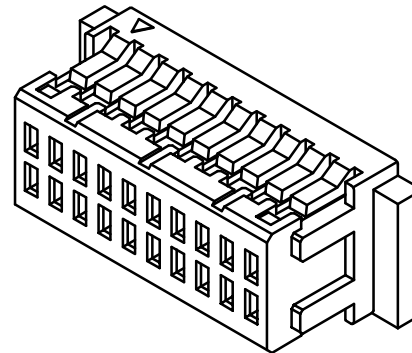
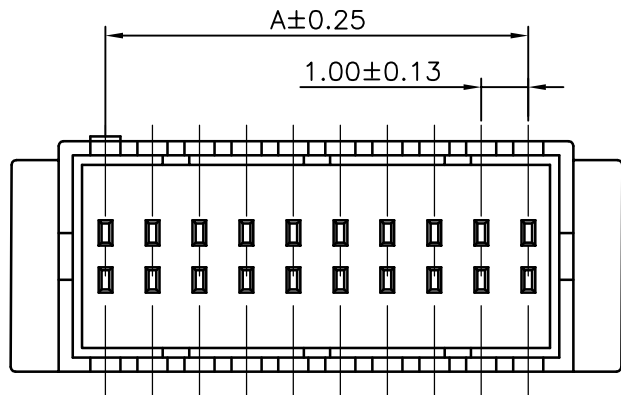
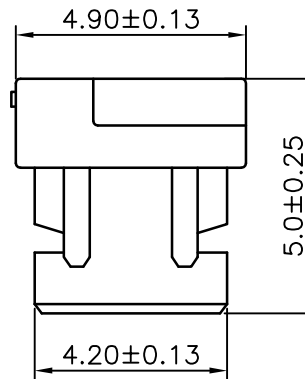
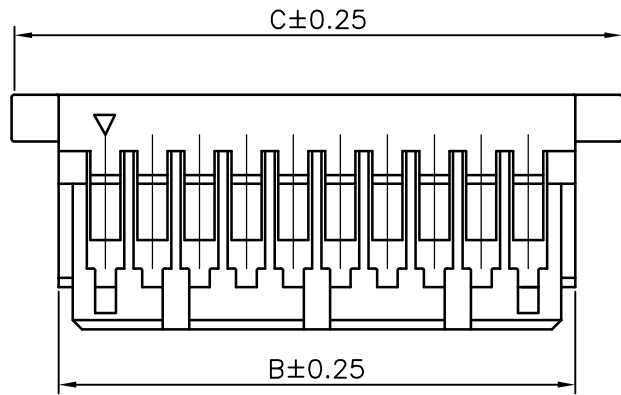


**RoHS**  
COMPLIANT



**SPECIFICATIONS**

1. Current rating: 1A AC, DC
2. Voltage rating: 50V AC,DC
3. Temperature range: -40°C ~ +105°C
4. Insulation resistance: 100M $\Omega$  Min.
5. Withstanding voltage: 500V AC/ minute.
6. Contact resistance: 20m  $\Omega$  Max.

Material: PBT UL94 V-0  
 Suitable: KR1000 series terminal  
 Mate with KR1000 series dual row wafer

Ordering Code:

H10000 \*\*\* \*\* 01B

No. of Circuits }  
 205:2x5,225:2x25 }  
 Insulator Material }  
 24:PBT White }

Circuits	Dimensions		
	A	B	C
2x4	3.00	5.20	7.00
2x5	4.00	6.20	8.00
2x6	5.00	7.20	9.00
2x7	6.00	8.20	10.00
2x8	7.00	9.20	11.00
2x10	9.00	11.20	13.00
2x15	14.00	16.20	18.00
2x20	19.00	21.20	23.00
2x25	24.00	26.20	28.00

MARK	REVISION	DESCRIPTION	SIGNATURE	DATE
A4				
A3	1	Add 2x4P/2x6P/2x7P	Arvin	2020.11.27
A2	2	Change the part number and frame format	Arvin	2020.03.05

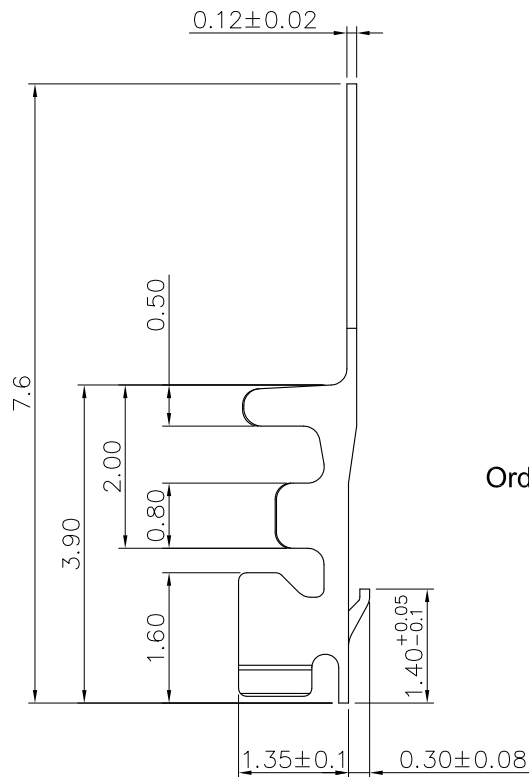
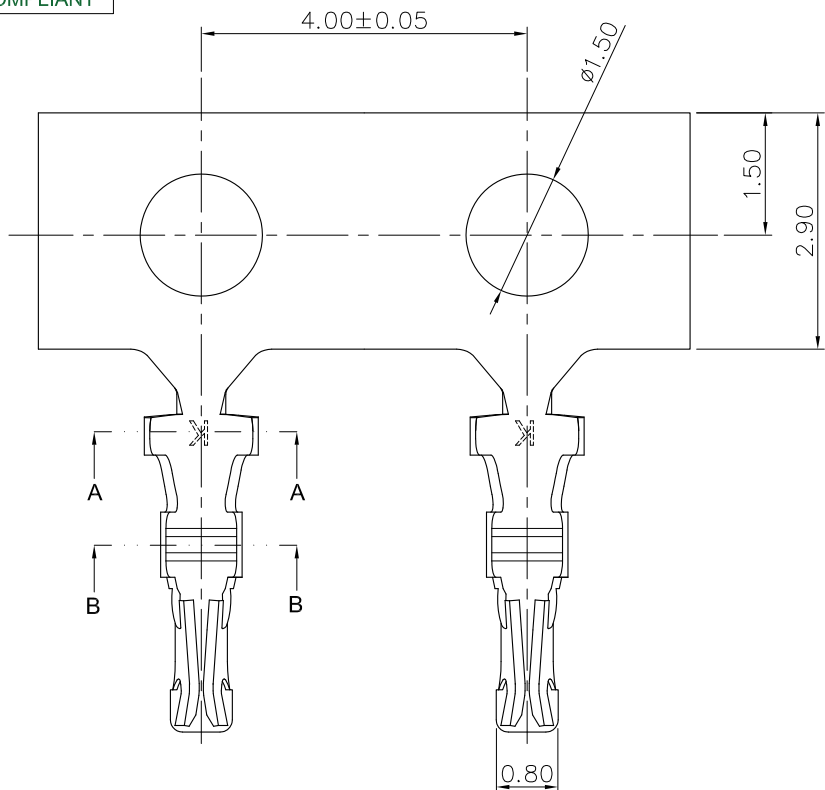
**TOLERANCE**  
 X. X  $\pm 0.30$   
 X. XX  $\pm 0.20$   
 X. XXX  $\pm 0.10$   
 Angle  $\pm 2^\circ$

**TITLE:**  
 SHR1.0 Housing  
**UNIT:** mm **SCALE:** N/A

**DRAWN:** Arvin 2020.03.05  
**CHECKED:**  
**APPROVED:**  
**SHEET:** 1/1 **PROJECTION:**

**KONNRA** 东莞市康瑞电子有限公司  
 DongGuan Konnra Electronics Co., Ltd.  
**PART NO. :** H10000\*\*\*2401B  
**REV. :** A3 **DRAWING NO. :** 1000H201-B-S

**RoHS**  
COMPLIANT



◆ SPECIFICATIONS

- Current rating: 1A AC, DC
- Voltage rating: 50V AC, DC
- Temperature range: -40°C ~ +105°C
- Insulation resistance: 100MΩ Min.
- Withstanding voltage: 500V AC/ minute.
- Contact resistance: 20mΩ Max.

Material: Phosphor Bronze  
 Finish: Gold plated 1u" min. over Nickel  
 Applicable wires: AWG #28~#32  
 Insulation O.D 0.4 to 0.8mm  
 Suitable: KR1000 series Housing  
 Qty/reel: 20,000PCS

Ordering Code:

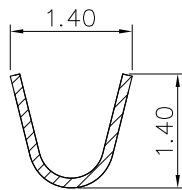
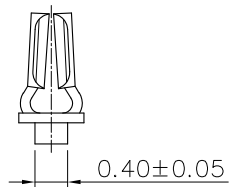
T10000P \*\*\* 01A

└ Plating

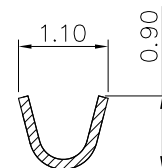
T01: Tin plated

G02: Gold plated (Au 1u")

G02: Gold plated (Au 3u")



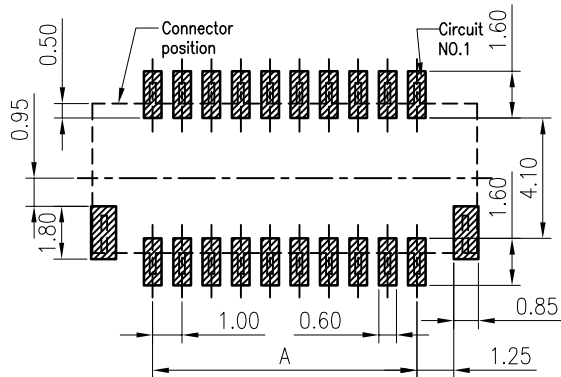
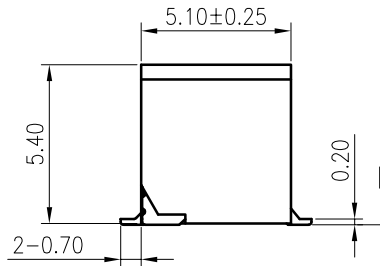
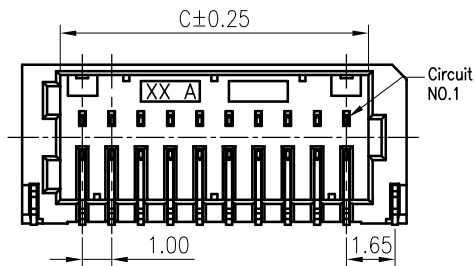
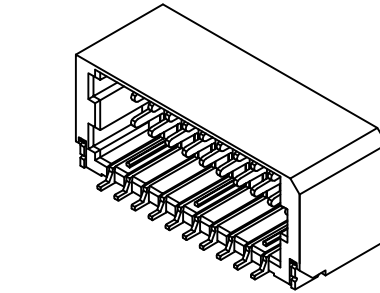
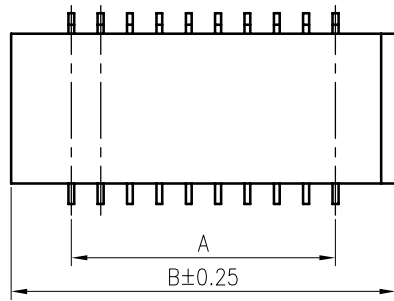
SECTION A-A



SECTION B-B

F	A3	Uniformly arrange the drawings	Shen	2021.08.23	TOLERANCE X.X ±0.3 X.XX ±0.2 X.XXX ±0.1 Angle ±2°	TITLE: SH1.0 Terminal	DRAWN: TLX 2021.08.23		KONNRA 东莞市康瑞电子有限公司 DongGuan Konnra Electronics Co.,Ltd.					
		A2	Change the part number and frame format	TLX			2020.04.21	CHECKED: Shen 2021.08.23						
	MARK		REVISION DESCRIPTION	SIGNATURE			DATE	UNIT:mm	SCALE:1/1	SHEET:1/1	PROJECTION	REV.:A3	PART NO.:T10000P***01A	
	1	2	3	4			5	6	7	8	9	DRAWING NO.:100T01-A-S		

RoHS  
COMPLIANT



Recommended P.C.B. Layout  
General tolerance: ±0.05mm

**SPECIFICATIONS**

1. Current rating: 1A AC, DC
2. Voltage rating: 50V AC, DC
3. Temperature range: -40°C ~ +105°C
4. Insulation resistance: 100MΩ Min.
5. Withstanding voltage: 500V AC/ minute.
6. Contact resistance: 20mΩ Max.

**Material:**

Insulator: LCP UL 94V-0

Contact: Phosphor bronze T=0.2

Fitting nail: Phosphor bronze T=0.2

Plating: Gold flash over nickel

Mate with KR1000 series dual row housing

**Ordering Code:**

C1000RS \*\*\* \*\* G0101RC

No. of Circuits  
204:2x4, 225:2x25

Insulator Material  
13:LCP Natural

Circuits	Dimensions		
	A	B	C
2x4	3.00	7.10	4.40
2x5	4.00	8.10	5.40
2x6	5.00	9.10	6.40
2x7	6.00	10.10	7.40
2x8	7.00	11.10	8.40
2x10	9.00	13.10	10.40
2x12	11.00	15.10	12.40
2x15	14.00	18.10	15.40
2x17	16.00	20.10	17.40
2x20	19.00	23.10	20.40
2x25	24.00	28.10	25.40



MARK

1

2

3

4

5

6

7

8

9

**TOLERANCE**

X. X ±0.30  
X. XX ±0.20  
X. XXX ±0.10  
Angle ±2°

**TITLE:**

SHR 1.0 SMF 90°  
Dual Row Wafer  
无柱

UNIT: mm SCALE: N/A

DRAWN: Arvin 2020.12.12

CHECKED:

APPROVED:

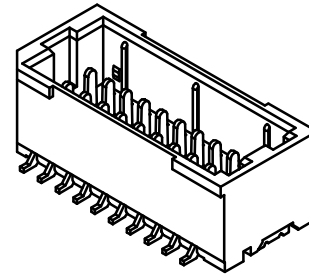
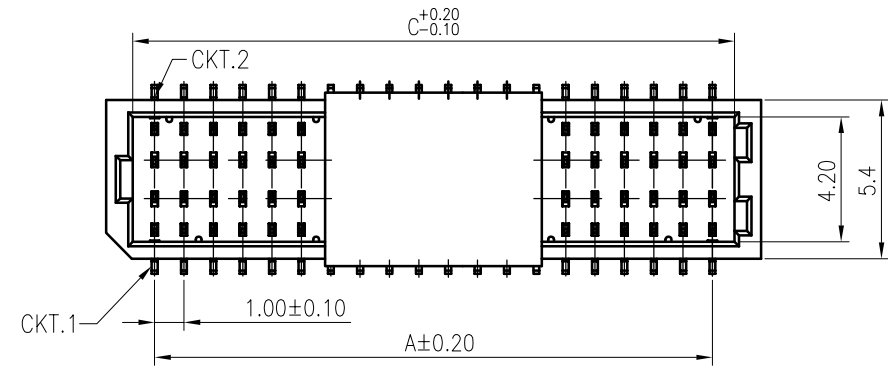
SHEET: 1/1 PROJECTION

**KONNRA** 东莞市康瑞电子有限公司  
DongGuan Konnra Electronics Co., Ltd.

PART NO.: C1000RS\*\*\*13G0101RC

REV.: A1 DRAWING NO.: 1000WRS201-C-S

**RoHS**  
COMPLIANT



**SPECIFICATIONS**

1. Current rating: 1A AC, DC
2. Voltage rating: 50V AC,DC
3. Temperature range: -40°C ~ +105°C
4. Insulation resistance: 100MΩ Min.
5. Withstanding voltage: 500V AC/ minute.
6. Contact resistance: 20m Ω Max.

**Material:**

Insulator: PA6T UL 94V-0  
Contact: Phosphor bronze  
Fitting nail: Brass

Plating: Gold plated over nickel

Mate with KR1000 series dual row housing

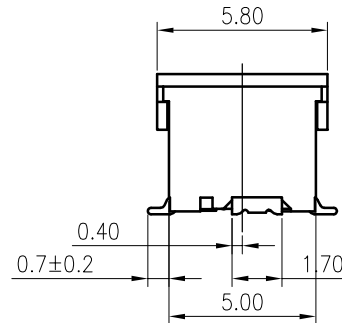
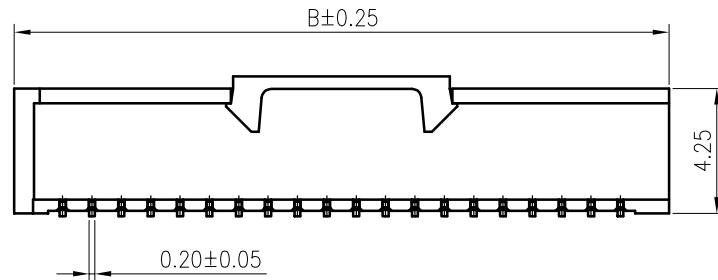
**Ordering Code:**

C1000VS \*\*\* \*\* G0101RC

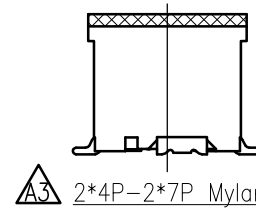


No. of Circuits  
204:2x4,230:2x30

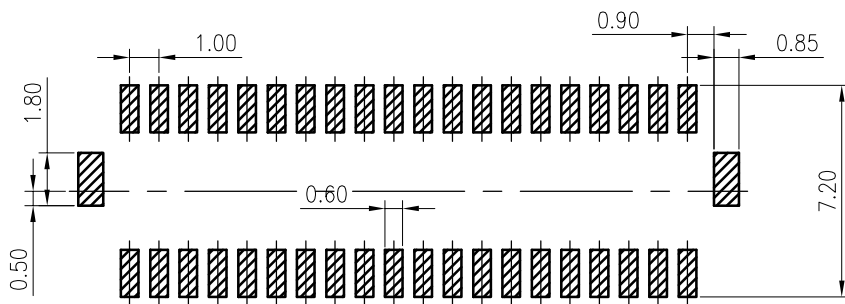
Insulator Material  
09:PA6T Natural



2\*8P~2\*30P Cover



2\*4P~2\*7P Mylar

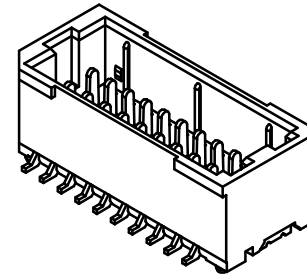
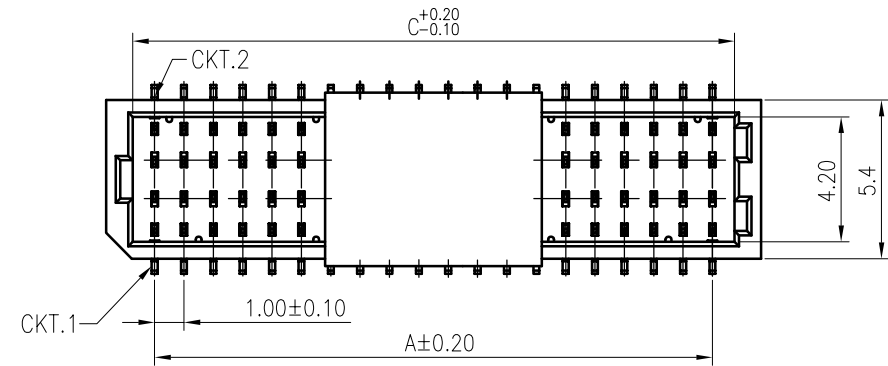


Recommended P.C.Board Layout  
All Tolerance:±0.05

Circuits	Dimensions		
	A	B	C
2x4	3.00	6.30	4.40
2x5	4.00	7.30	5.40
2x6	5.00	8.30	6.40
2x7	6.00	9.30	7.40
2x8	7.00	10.30	8.40
2x9	8.00	11.30	9.40
2x10	9.00	12.30	10.40
2x12	11.00	14.30	12.40
2x14	13.00	16.30	14.40
2x15	14.00	17.30	15.40
2x17	16.00	19.30	17.40
2x20	19.00	22.30	20.40
2x25	24.00	27.30	25.40
2x30	29.00	32.30	30.40

F					TOLERANCE	TITLE:	DRAWN:	KONNRA 东莞市康瑞电子有限公司 DongGuan Konnra Electronics Co., Ltd.			
		Add 2x4-2x9/2x12/2x14/2x17/2x30P	Arvin	2020.12.24	X. X ±0.30	SHR 1.0 SM <sup>180°</sup>	CHECKED:				
		Change the part number and frame format	Arvin	2020.03.05	X. XX ±0.20	Dual Row Wafer	APPROVED:				
	MARK	REVISION DESCRIPTION	SIGNATURE	DATE	X. XXX ±0.10	无柱			PART NO. : C1000VS***09G0101RC		
	1	2	3	4	Angle ±2°	UNIT: mm	SCALE: N/A	SHEET: 1/1	PROJECTION	REV. : A3	DRAWING NO. : 1000WS201-C-S

**RoHS**  
COMPLIANT



**SPECIFICATIONS**

1. Current rating: 1A AC, DC
2. Voltage rating: 50V AC,DC
3. Temperature range: -40°C ~ +105°C
4. Insulation resistance: 100MΩ Min.
5. Withstanding voltage: 500V AC/ minute.
6. Contact resistance: 20m Ω Max.

**Material:**

Insulator: PA6T UL 94V-0  
Contact: Phosphor bronze  
Fitting nail: Brass

Plating: Gold plated over nickel

Mate with KR1000 series dual row housing

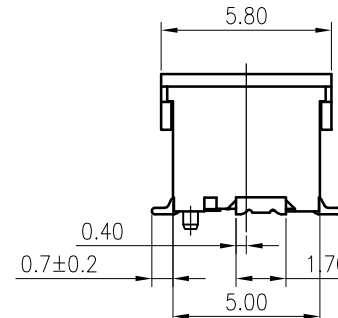
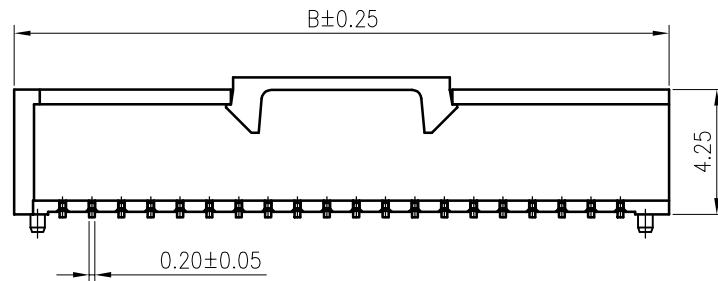
**Ordering Code:**

C1000VS \*\*\* \*\* G0102RC

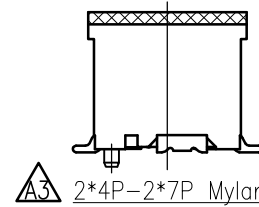
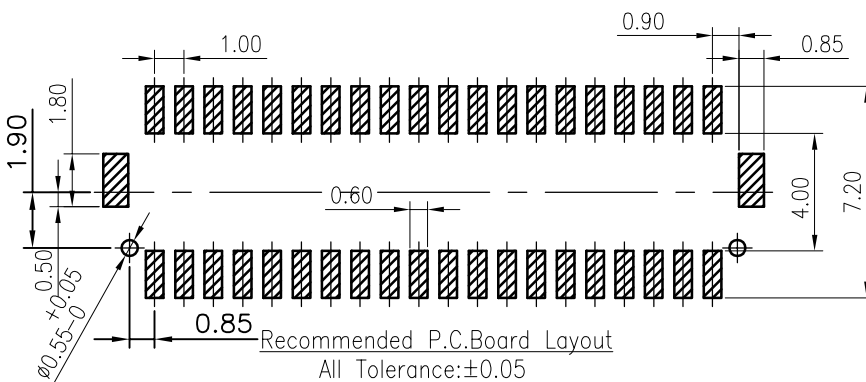


No. of Circuits  
204:2x4,230:2x30

Insulator Material  
09:PA6T Natural



A3 2\*8P~2\*30P Cover



A3 2\*4P~2\*7P Mylar

Circuits	Dimensions		
	A	B	C
2x4	3.00	6.30	4.40
2x5	4.00	7.30	5.40
2x6	5.00	8.30	6.40
2x7	6.00	9.30	7.40
2x8	7.00	10.30	8.40
2x9	8.00	11.30	9.40
2x10	9.00	12.30	10.40
2x12	11.00	14.30	12.40
2x14	13.00	16.30	14.40
2x15	14.00	17.30	15.40
2x17	16.00	19.30	17.40
2x20	19.00	22.30	20.40
2x25	24.00	27.30	25.40
2x30	29.00	32.30	30.40

F	A4			TOLERANCE	TITLE:	DRAWN: Arvin 2020.03.05	KONNRA 东莞市康瑞电子有限公司			
	A3	Add 2x4-2x9/2x12/2x14/2x17/2x30P	Arvin	2020.12.24	X. X ±0.30	CHECKED:	DongGuan Konnra Electronics Co., Ltd.			
	A2	Change the part number and frame format	Arvin	2020.03.05	X. XX ±0.20		APPROVED:	PART NO. : C1000VS***09G0102RC		
	MARK	REVISION DESCRIPTION	SIGNATURE	DATE	X. XXX ±0.10	UNIT: mm		SCALE: N/A	SHEET: 1/1	PROJECTION
	1	2	3	4	5	6	7	8	9	