

RoHS
COMPLIANT

◆ SPECIFICATIONS

- Current rating: 1A AC, DC
- Voltage rating: 50V AC, DC
- Temperature range: -40°C ~ +105°C
- Insulation resistance: 100MΩ Min.
- Withstanding voltage: 500V AC/ minute.
- Contact resistance: 20mΩ Max.

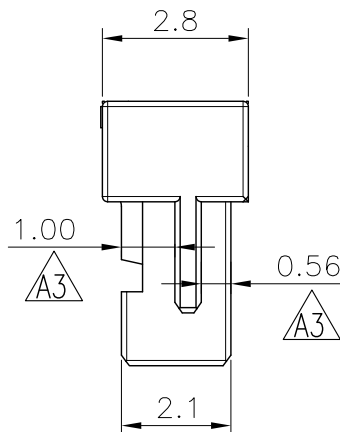
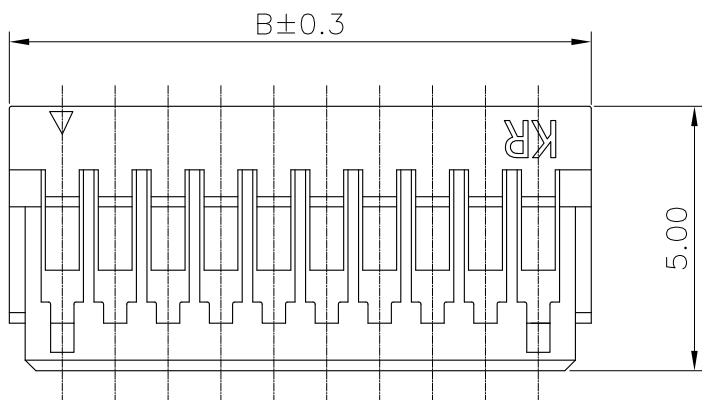
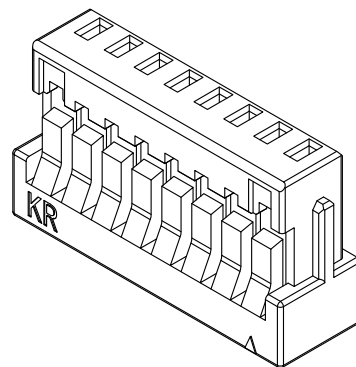
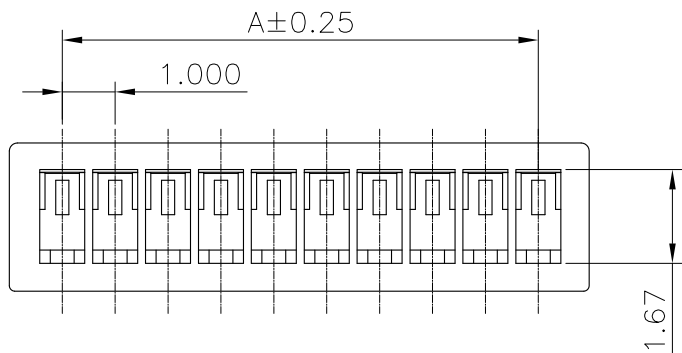
Material: PBT UL 94V-0
Circuits: 2~20
Suitable: KR1000 series Terminal
Mates With KR1000 Series Single Row Wafer

Ordering code:

H100001****02A

PIN 102=2P 112=12P
01:PA66 UL94 V-0 white
02:PA66 UL94 V-0 black
24:PBT white

PART NO.	Dimensions		PART NO.	Dimensions	
	A	B		A	B
H10000102**02A	1.00	3.00	H10000113**02A	12.00	14.00
H10000103**02A	2.00	4.00	H10000114**02A	13.00	15.00
H10000104**02A	3.00	5.00	H10000115**02A	14.00	16.00
H10000105**02A	4.00	6.00	H10000116**02A	15.00	17.00
H10000106**02A	5.00	7.00	H10000117**02A	16.00	18.00
H10000107**02A	6.00	8.00	H10000118**02A	17.00	19.00
H10000108**02A	7.00	9.00	H10000119**02A	18.00	20.00
H10000109**02A	8.00	10.00	H10000120**02A	19.00	21.00
H10000110**02A	9.00	11.00			
H10000111**02A	10.00	12.00			
H10000112**02A	11.00	13.00			



F	△A05	Add KR LOGO	ZSZ	2023.05.30	TOLERANCE X.X ±0.30 X.XX ±0.20 X.XXX ±0.10 Angle ±2°	TITLE: SH 1.0 Housing No Ear	DRAWN: <i>72X 2021.08.23</i>		KONNRA 东莞市康瑞电子有限公司 DongGuan Konnra Electronics Co.,Ltd.	
	△A04	Uniformly arrange the drawings	Shen	2021.08.23			CHECKED: <i>Shen 2021.08.23</i>			
	△A03	Add Dimensions	ZZN	2021.05.19			APPROVED:		PART NO.: H100001****02A	
	MARK	REVISION DESCRIPTION	SIGNATURE	DATE			UNIT:mm	SCALE: 1/1	SHEET: 1/1	PROJECTION