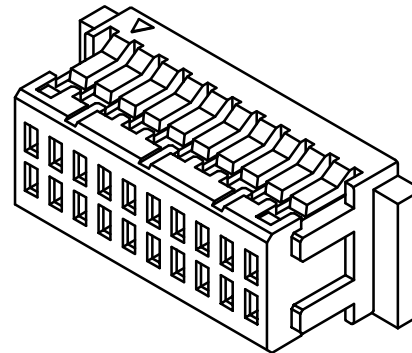
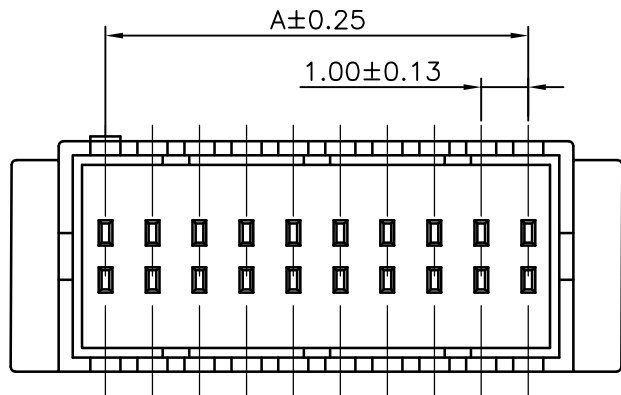
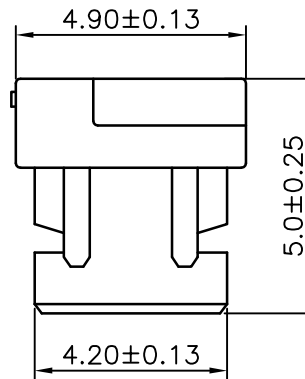
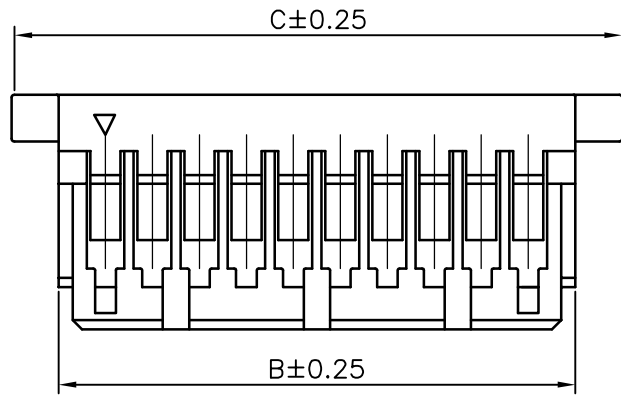


RoHS
COMPLIANT



SPECIFICATIONS

1. Current rating: 1A AC, DC
2. Voltage rating: 50V AC,DC
3. Temperature range: -40°C ~ +105°C
4. Insulation resistance: 100MΩ Min.
5. Withstanding voltage: 500V AC/ minute.
6. Contact resistance: 20m Ω Max.

Material: PBT UL94 V-0
 Suitable: KR1000 series terminal
 Mate with KR1000 series dual row wafer

Ordering Code:

H10000 *** ** 01B

No. of Circuits }
 205:2x5,225:2x25 }
 Insulator Material }
 24:PBT White }

Circuits	Dimensions		
	A	B	C
2x4	3.00	5.20	7.00
2x5	4.00	6.20	8.00
2x6	5.00	7.20	9.00
2x7	6.00	8.20	10.00
2x8	7.00	9.20	11.00
2x10	9.00	11.20	13.00
2x15	14.00	16.20	18.00
2x20	19.00	21.20	23.00
2x25	24.00	26.20	28.00



MARK

REVISION	DESCRIPTION	SIGNATURE	DATE
4			
3	Add 2x4P/2x6P/2x7P	Arvin	2020.11.27
2	Change the part number and frame format	Arvin	2020.03.05

TOLERANCE
 X. X ± 0.30
 X. XX ± 0.20
 X. XXX ± 0.10
 Angle ± 2°

TITLE:
SHR1.0 Housing

DRAWN: Arvin 2020.03.05

CHECKED:

APPROVED:

UNIT: mm SCALE: N/A

SHEET: 1/1

PROJECTION

KONNRA 东莞市康瑞电子有限公司
 DongGuan Konnra Electronics Co., Ltd.

PART NO. : H10000***2401B

REV. : A3 DRAWING NO. : 1000H201-B-S