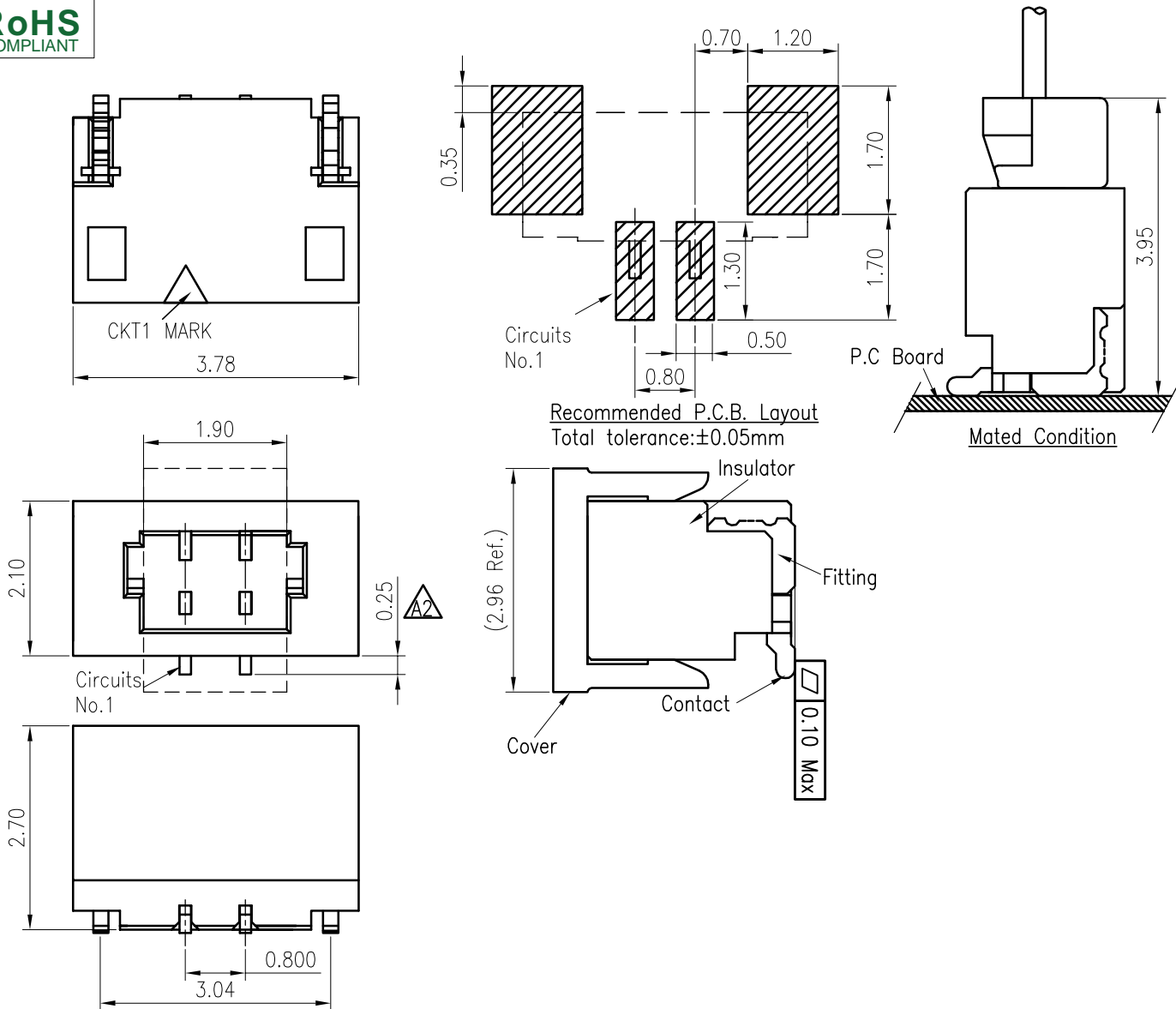


RoHS
COMPLIANT



SPECIFICATIONS

1. Current rating: 0.5A AC, DC
2. Voltage rating: 30V AC, DC
3. Temperature range: -40°C ~ +105°C
4. Insulation resistance: 100MΩ Min.
5. Withstanding voltage: 200V AC/ minute.
6. Contact resistance: 20mΩ Max.

Material:

- Insulator: LCP UL 94V-0
- Contact: Phosphor bronze
- Fitting Nail: Brass
- Plating: Gold flash plated over Nickel
- Mate with KR0800 or KR0803 series housing 2P

F					TOLERANCE X.X ±0.30 X.XX ±0.20 X.XXX ±0.10 Angle ±2°	TITLE: SURO.8 SMT 180° Wafer 2P B款	DRAWN: Arvin 2020.10.23		KONNRA 东莞市康瑞电子有限公司	
							CHECKED:		DongGuan Konnra Electronics Co., Ltd.	
		Change dimensions	Arvin	2021.11.10			APPROVED:		PART NO. : C0800VS10213G0111RA	
	MARK	REVISION DESCRIPTION	SIGNATURE	DATE			UNIT: mm	SCALE: N/A	SHEET: 1/1	PROJECTION
	1	2	3	4	5	6	7	8	9	