

RoHS
COMPLIANT

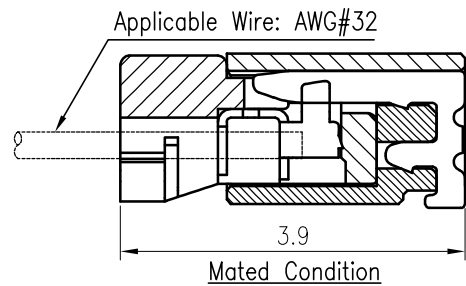
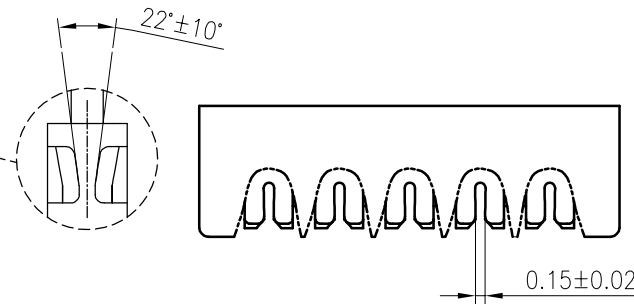
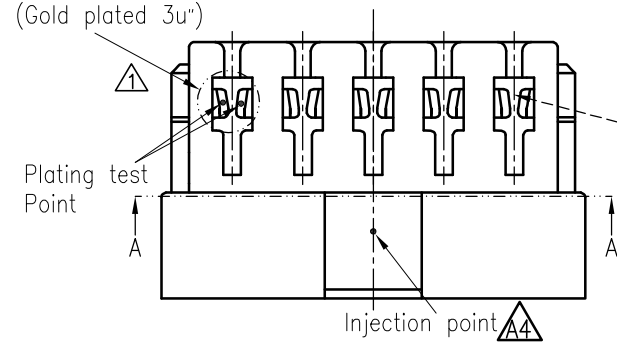
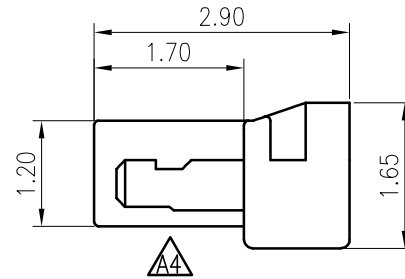
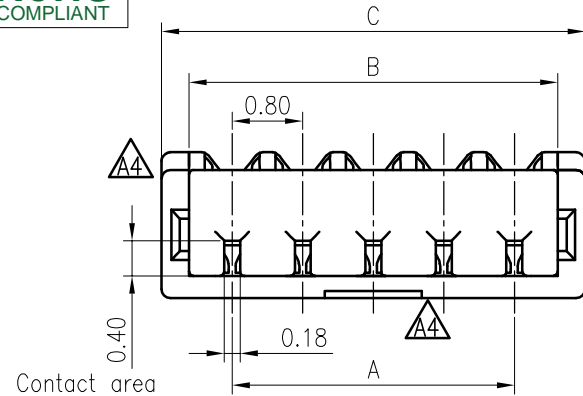
SPECIFICATIONS

1. Current rating: 0.5A AC, DC
2. Voltage rating: 30V AC,DC
3. Temperature range: -40°C ~ +105°C
4. Insulation resistance: 100MΩ Min.
5. Withstanding voltage: 200V AC/ minute.
6. Contact resistance: 20mΩ Max.

Material:

Insulator: PA66 UL 94V-0
 Contact: Phosphor Bronze
 Applicable Wire : AWG#32
 Insulation O.D. : $\varnothing 0.38 \pm 0.02$ mm
 Plating: Gold plated or tin plated or selective gold over Nickel
 Mate with KR0800 series single row wafer

| Circuits | Dimensions | | |
|----------|------------|-------|-------|
| | A | B | C |
| 02 | 0.80 | 1.78 | 2.40 |
| 03 | 1.60 | 2.58 | 3.20 |
| 04 | 2.40 | 3.38 | 4.00 |
| 05 | 3.20 | 4.18 | 4.80 |
| 06 | 4.00 | 4.98 | 5.60 |
| 07 | 4.80 | 5.78 | 6.40 |
| 08 | 5.60 | 6.58 | 7.20 |
| 09 | 6.40 | 7.38 | 8.00 |
| 10 | 7.20 | 8.18 | 8.80 |
| 11 | 8.00 | 8.98 | 9.60 |
| 12 | 8.80 | 9.78 | 10.40 |
| 13 | 9.60 | 10.58 | 11.20 |
| 14 | 10.40 | 11.38 | 12.00 |
| 15 | 11.20 | 12.18 | 12.80 |
| 16 | 12.00 | 12.98 | 13.60 |
| 17 | 12.80 | 13.78 | 14.40 |
| 18 | 13.60 | 14.58 | 15.20 |
| 19 | 14.40 | 15.38 | 16.00 |
| 20 | 15.20 | 16.18 | 16.80 |



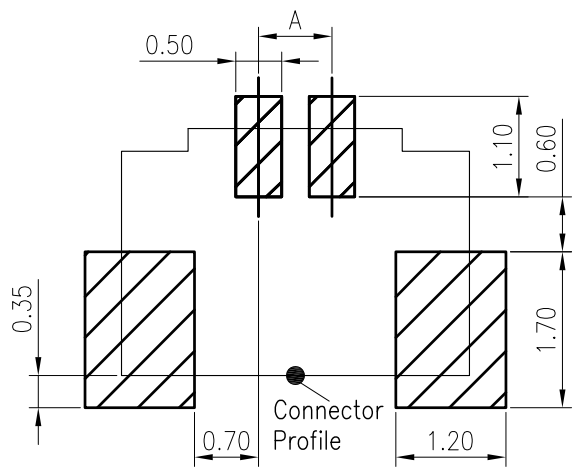
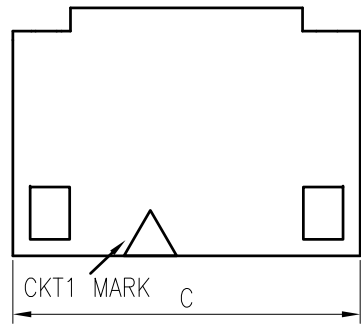
H08000 *** 01 01 A
 No.of Circuits | Plating
 102:2,120:20 | 01:Gold flash
 Insulator Material | 02:Tin plated
 01:PA66 White V0 | A2 03:Selective gold plated 3u"

| | | | | | | | | | | |
|---|------|---|-----------|------------|---|---|-------------------------|------------|---|------------|
| F | A4 | Correct view | Arvin | 2022.02.16 | TOLERANCE X.X ±0.30 X.XX ±0.20 X.XXX ±0.10 Angle ±2° | TITLE: SURO. 8 刺破式 Housing | DRAWN: Arvin 2020.03.30 | | KONNRA 东莞市康瑞电子有限公司 DongGuan Konnra Electronics Co., Ltd. | |
| | A3 | Change the part number and frame format | Arvin | 2020.03.30 | | | CHECKED: | | | |
| | A2 | Add gold plated specification | Minxinhao | 2018.08.23 | | | APPROVED: | | PART NO. : H08000xxx0101A | |
| | MARK | REVISION DESCRIPTION | SIGNATURE | DATE | | | UNIT: mm | SCALE: N/A | SHEET: 1/1 | PROJECTION |

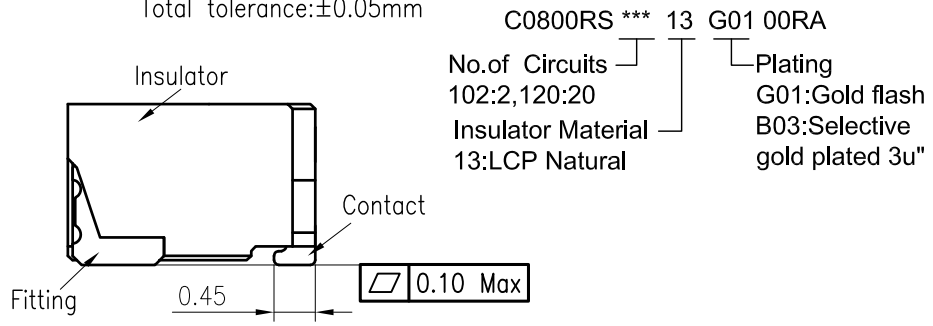
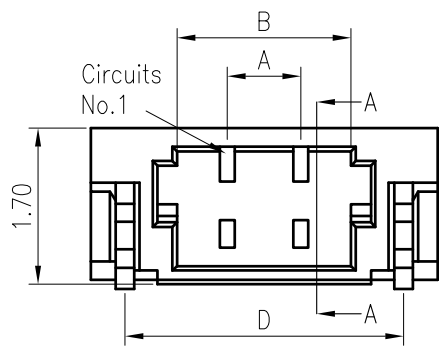
RoHS
COMPLIANT

- SPECIFICATIONS**
1. Current rating: 0.5A AC, DC
 2. Voltage rating: 30V AC,DC
 3. Temperature range: -40°C ~ +105°C
 4. Insulation resistance: 100MΩ Min.
 5. Withstanding voltage: 200V AC/ minute.
 6. Contact resistance: 20mΩ Max.

Material:
 Insulator: LCP UL 94V-0
 Contact: Phosphor bronze
 Fitting Nail: Brass
Plating: Gold flash plated or selective gold over Nickel
 Mate with KR0800 series housing or KR0803 series crimp housing

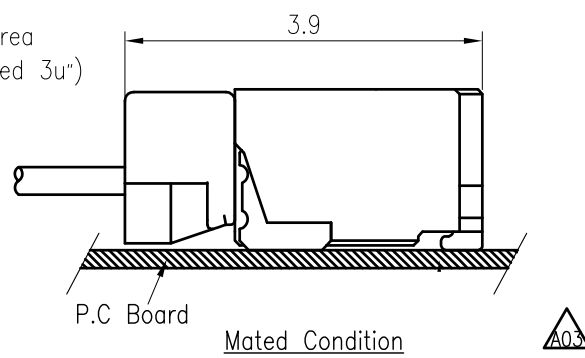
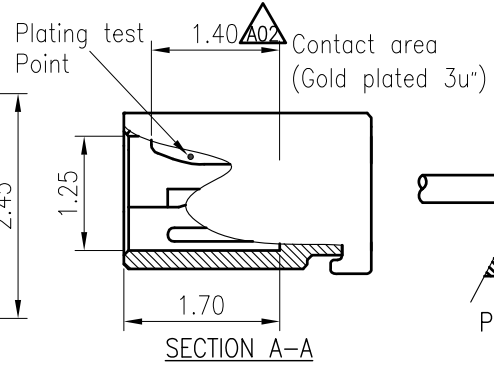
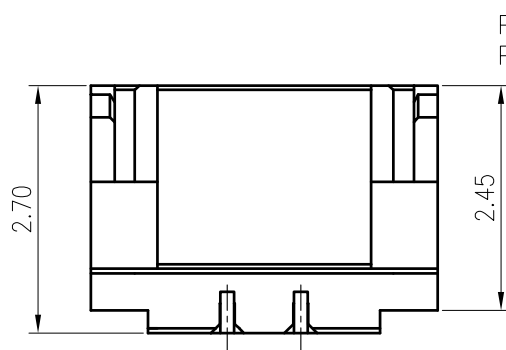


Recommended P.C.B. Layout
Total tolerance: ±0.05mm



C0800RS *** 13 G01 00RA
 No.of Circuits 102:2,120:20
 Insulator Material 13:LCP Natural
 Plating G01:Gold flash B03:Selective gold plated 3u"

| Circuits | Dimensions | | | |
|----------|------------|-------|-------|-------|
| | A | B | C | D |
| 02 | 0.80 | 1.90 | 3.78 | 3.04 |
| 03 | 1.60 | 2.70 | 4.58 | 3.84 |
| 04 | 2.40 | 3.50 | 5.38 | 4.64 |
| 05 | 3.20 | 4.30 | 6.18 | 5.44 |
| 06 | 4.00 | 5.10 | 6.98 | 6.24 |
| 07 | 4.80 | 5.90 | 7.78 | 7.04 |
| 08 | 5.60 | 6.70 | 8.58 | 7.84 |
| 09 | 6.40 | 7.50 | 9.38 | 8.64 |
| 10 | 7.20 | 8.30 | 10.18 | 9.44 |
| 11 | 8.00 | 9.10 | 10.98 | 10.24 |
| 12 | 8.80 | 9.90 | 11.78 | 11.04 |
| 13 | 9.60 | 10.70 | 12.58 | 11.84 |
| 14 | 10.40 | 11.50 | 13.38 | 12.64 |
| 15 | 11.20 | 12.30 | 14.18 | 13.44 |
| 16 | 12.00 | 13.10 | 14.98 | 14.24 |
| 17 | 12.80 | 13.90 | 15.78 | 15.04 |
| 18 | 13.60 | 14.70 | 16.58 | 15.84 |
| 19 | 14.40 | 15.50 | 17.38 | 16.64 |
| 20 | 15.20 | 16.30 | 18.18 | 17.44 |



| | | | | | | | | | |
|---|------|---|-----------|------------|--|--|--|--|-----------------------------|
| F | MARK | Correct the material number according to the material | ZSZ | 2023.05.16 | TOLERANCE X.X ±0.30 X.XX ±0.20 X.XXX ±0.10 Angle ±2° | TITLE: SURO.8 SMT 90° Wafer halogen-free | DRAWN: Arvin 2020.03.30 CHECKED: APPROVED: | KONNRA 东莞市康瑞电子有限公司 DongGuan Konnra Electronics Co.,Ltd. PART NO.: C0800RS***13G0100RA REV.: A03 | |
| | | Change the part number and frame format | Arvin | 2020.03.30 | | | UNIT:mm SCALE:N/A SHEET:1/1 PROJECTION | | DRAWING NO.: 0800WRS101-A-S |
| | | REVISION DESCRIPTION | SIGNATURE | DATE | | | | | |

RoHS
COMPLIANT

SPECIFICATIONS

1. Current rating: 0.5A AC, DC
2. Voltage rating: 30V AC, DC
3. Temperature range: -40°C ~ +105°C
4. Insulation resistance: 100MΩ Min.
5. Withstanding voltage: 200V AC/ minute.
6. Contact resistance: 20mΩ Max.

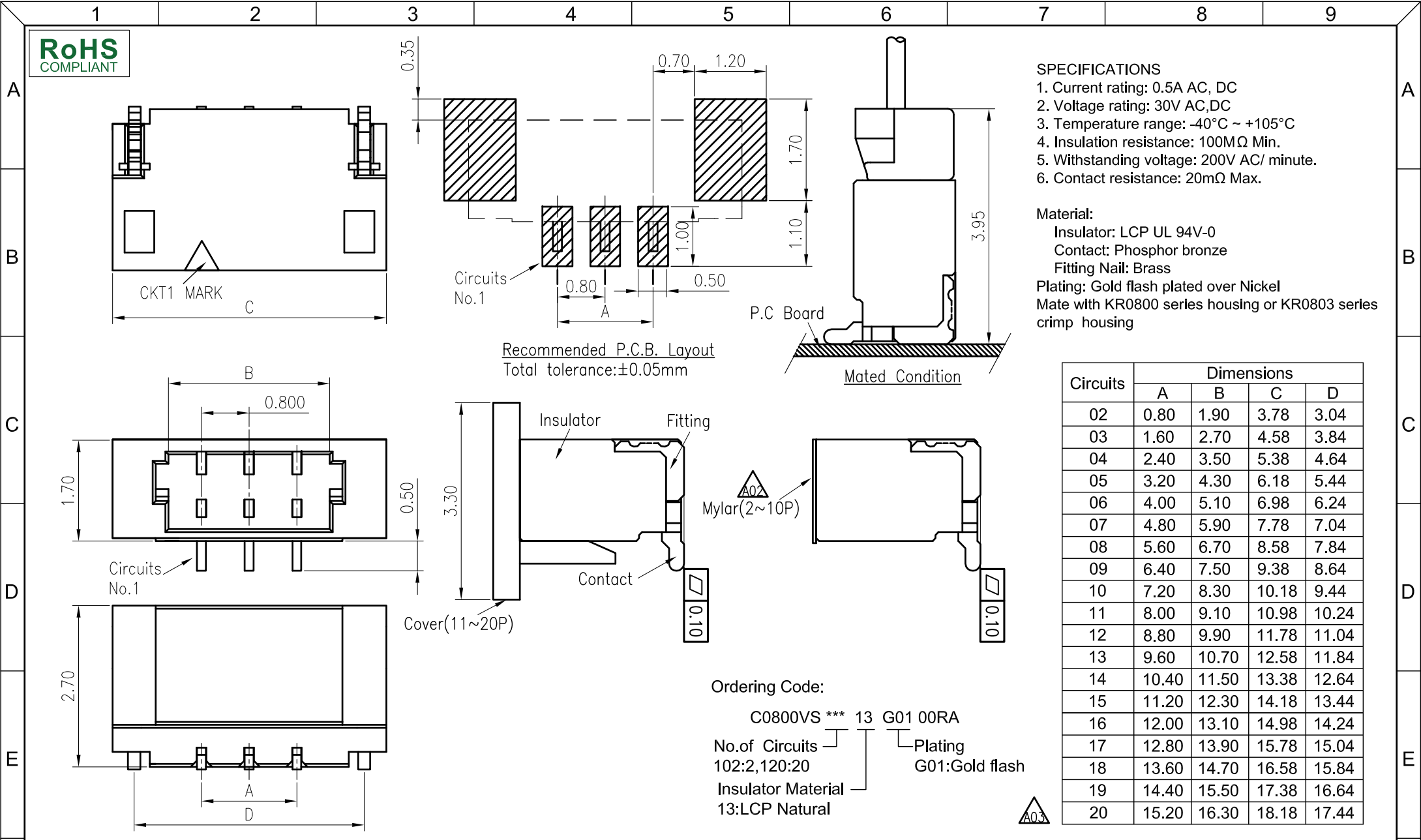
Material:

Insulator: LCP UL 94V-0
Contact: Phosphor bronze
Fitting Nail: Brass

Plating: Gold flash plated over Nickel

Mate with KR0800 series housing or KR0803 series crimp housing

| Circuits | Dimensions | | | |
|----------|------------|-------|-------|-------|
| | A | B | C | D |
| 02 | 0.80 | 1.90 | 3.78 | 3.04 |
| 03 | 1.60 | 2.70 | 4.58 | 3.84 |
| 04 | 2.40 | 3.50 | 5.38 | 4.64 |
| 05 | 3.20 | 4.30 | 6.18 | 5.44 |
| 06 | 4.00 | 5.10 | 6.98 | 6.24 |
| 07 | 4.80 | 5.90 | 7.78 | 7.04 |
| 08 | 5.60 | 6.70 | 8.58 | 7.84 |
| 09 | 6.40 | 7.50 | 9.38 | 8.64 |
| 10 | 7.20 | 8.30 | 10.18 | 9.44 |
| 11 | 8.00 | 9.10 | 10.98 | 10.24 |
| 12 | 8.80 | 9.90 | 11.78 | 11.04 |
| 13 | 9.60 | 10.70 | 12.58 | 11.84 |
| 14 | 10.40 | 11.50 | 13.38 | 12.64 |
| 15 | 11.20 | 12.30 | 14.18 | 13.44 |
| 16 | 12.00 | 13.10 | 14.98 | 14.24 |
| 17 | 12.80 | 13.90 | 15.78 | 15.04 |
| 18 | 13.60 | 14.70 | 16.58 | 15.84 |
| 19 | 14.40 | 15.50 | 17.38 | 16.64 |
| 20 | 15.20 | 16.30 | 18.18 | 17.44 |



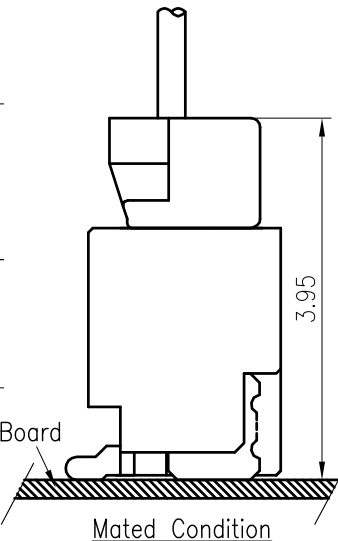
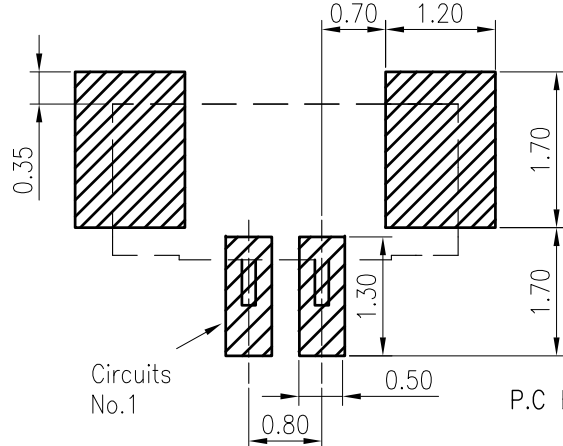
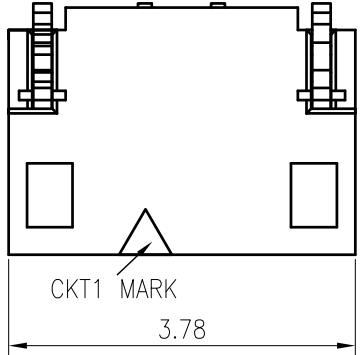
Ordering Code:

C0800VS *** 13 G01 00RA

No. of Circuits 102:2,120:20
Insulator Material 13:LCP Natural
Plating G01:Gold flash

| | | | | | | | | | |
|---|---|----------------------|------------|--|---|------------------------|--|------|---------|
| F | Correct the material number according to the material | ZSZ | 2023.05.16 | TOLERANCE X.X ±0.30 X.XX ±0.20 X.XXX ±0.10 Angle ±2° | TITLE: SURO.8 SMT 180° Wafer halogen-free | DRAWN: Shen 2021.11.04 | KONNRA 东莞市康瑞电子有限公司 DongGuan Konnra Electronics Co.,Ltd. | | |
| | Uniformly arrange the drawings | Shen | 2021.11.04 | | | | | | |
| | Change the part number and frame format | Arvin | 2020.03.30 | | | | | | |
| | MARK | REVISION DESCRIPTION | SIGNATURE | | | | | DATE | UNIT:mm |

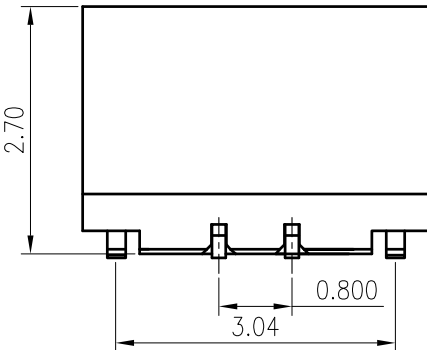
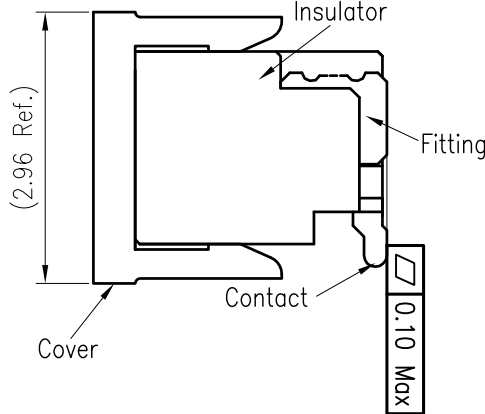
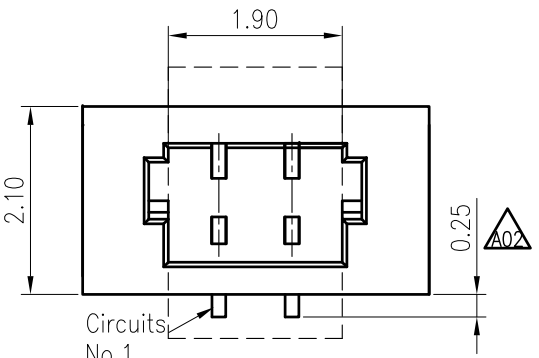
RoHS
COMPLIANT



- SPECIFICATIONS**
1. Current rating: 0.5A AC, DC
 2. Voltage rating: 30V AC,DC
 3. Temperature range: -40°C ~ +105°C
 4. Insulation resistance: 100MΩ Min.
 5. Withstanding voltage: 200V AC/ minute.
 6. Contact resistance: 20mΩ Max.

Material:
 Insulator: LCP UL 94V-0
 Contact: Phosphor bronze
 Fitting Nail: Brass
 Plating: Gold flash plated over Nickel
 Mate with KR0800 or KR0803 series housing 2P

Recommended P.C.B. Layout
 Total tolerance: ±0.05mm



| | | | | | | | | | | |
|---|------|---|-----------|------------|-------------|--------------------------------|--|-------------------------------|-----------|-----------------------------|
| F | | | | TOLERANCE | TITLE: | DRAWN: <i>Arvin 2020.10.23</i> | KONNRA 东莞市康瑞电子有限公司 DongGuan Konnra Electronics Co.,Ltd. | | | |
| | | Correct the material number according to the material | ZSZ | 2023.05.16 | X.X ±0.30 | SURO.8 SMT 180° | | | | CHECKED: |
| | | Change dimensions | Arvin | 2021.11.10 | X.XX ±0.20 | Wafer 2P B Type | APPROVED: | PART NO.: C0800VS10213G0110RA | | |
| | | | | | X.XXX ±0.10 | halogen-free | SHEET: 1/1 | PROJECTION | REV.: A03 | DRAWING NO.: 0800WVS102-A-S |
| | MARK | REVISION DESCRIPTION | SIGNATURE | DATE | Angle ±2° | UNIT:mm | SCALE:N/A | | | |