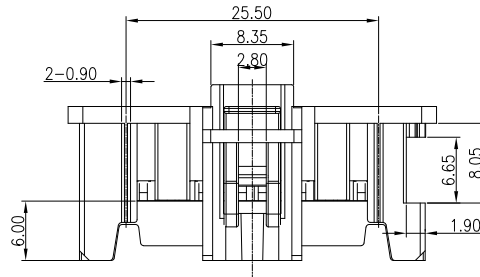
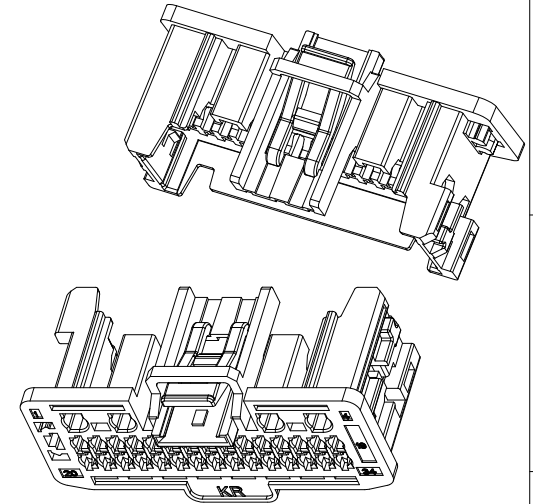
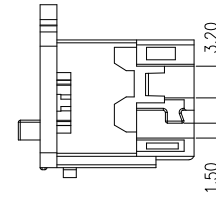
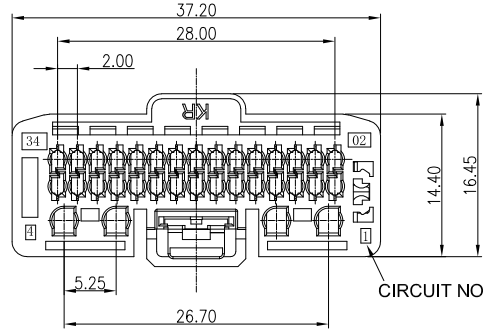
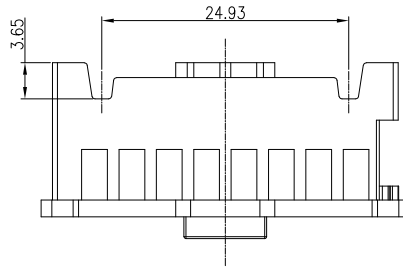
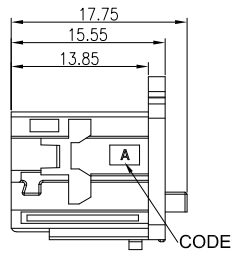
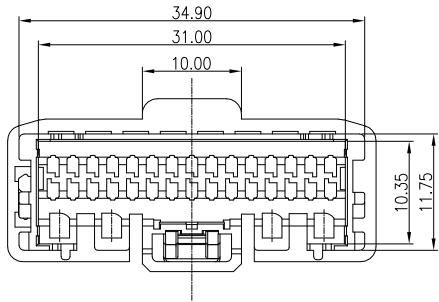


SPECIFICATIONS

1. Current rating: 3.0A AC, DC
 2. Voltage rating: 250V AC, DC
 3. Temperature range: -40° C ~ +105° C
 4. Insulation resistance: 1000M Ω /min.
 5. Withstanding voltage: 500V AC/minute.
- Material: Plastic(PA66)
Suitable:
KR2022 series terminal(22AWG~24AWG)
Mated with KR2021 series Wafer
Ordering Code: See BOM for details



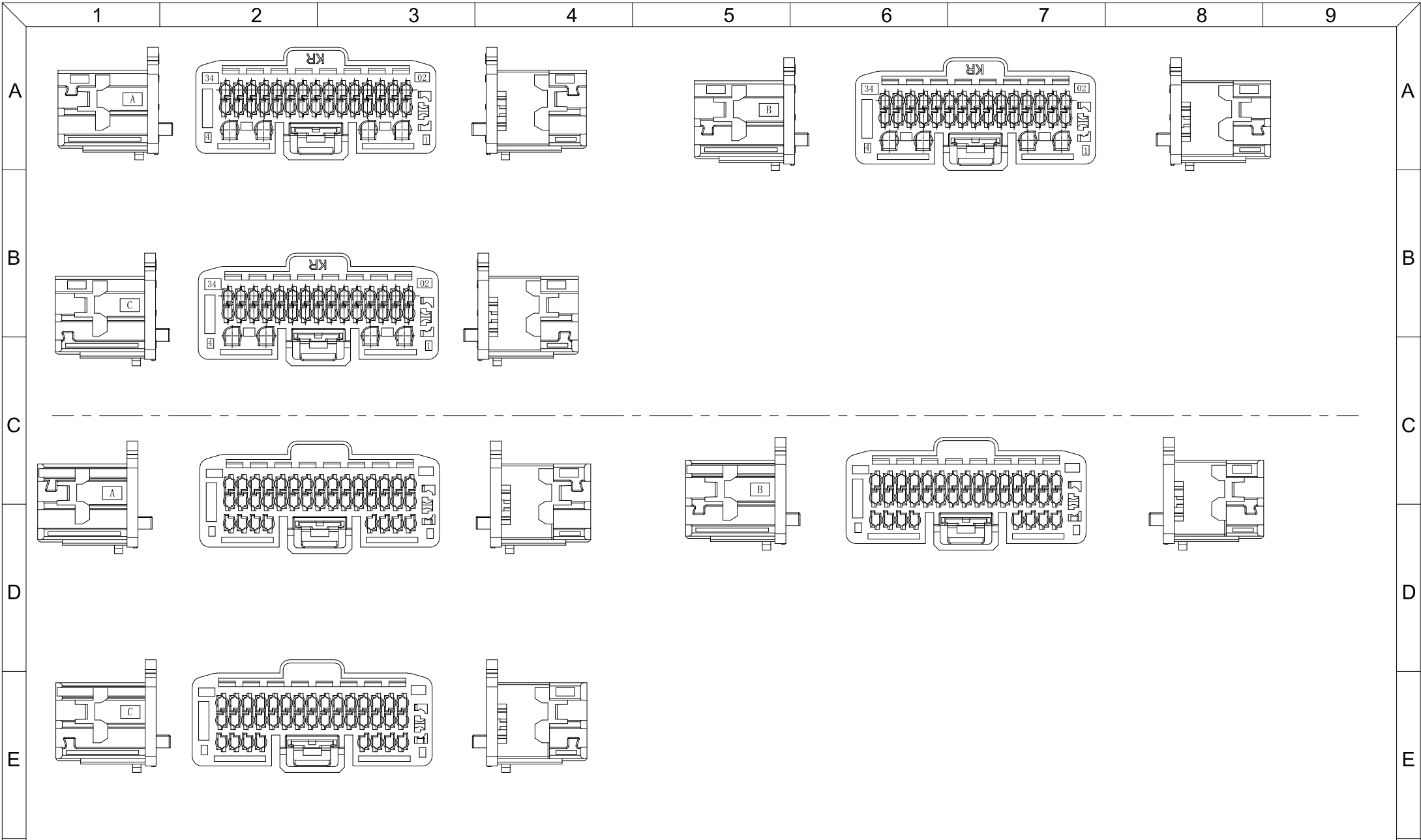
PART NO.	CIRCUIT	POL	COLOR
H202101342401A	34P	A	BLACK
H202101342402A	34P	B	GRAY
H202101342403A	34P	C	DARK GRAY
H202101382401A	38P	A	BLACK
H202101382402A	38P	B	GRAY
H202101382403A	38P	C	DARK GRAY

MARK	REVISION DESCRIPTION	SIGNATURE	DATE
$\triangle 3$			
$\triangle 2$			
$\triangle 1$	新图发行	Wesley	2023.05.25

GENERAL TOLERANCE	UNIT: mm	DATE
X.X ± 0.30	DRAWN: Wesley	2023.05.25
X.XX ± 0.20	CHECKED:	
X.XXX ± 0.10	APPROVED:	
Angle $\pm 2^\circ$		

TITLE:
34/38 WAY MINI50 FEMALE
VER. A1
SCALE: 1:1
SHEET: 1/2

KONNRA 东莞市康瑞电子有限公司 DongGuan Konnra Electronics Co.,Ltd.		
PROJECT	PART NO.	H20210xxx240XA
DRAWING NO.		2021H401-A-S



F					GENERAL TOLERANCE	UNIT: mm		DATE	TITLE:			KONNRA 东莞市康瑞电子有限公司 DongGuan Konnra Electronics Co.,Ltd.		
					X.X ±0.30	DRAWN: Wesley	2023.05.25	34/38 WAY MINI50 FEMALE						
		新图发行	Wesley	2023.05.25	X.XX ±0.20	CHECKED:		VER.	SCALE:	1:1	PROJECT	PART NO.	H20210xxx240XA	
	MARK	REVISION DESCRIPTION	SIGNATURE	DATE	X.XXX ±0.10	APPROVED:		A1	SHEET:	2/2		DRAWING NO.	2021H401-A-S	
	1	2	3	4	5	6	7	8	9					

SPECIFICATIONS

1. Current rating: 3.0A AC, DC
2. Voltage rating: 250V AC, DC
3. Temperature range: -40° C ~ +105° C
4. Insulation resistance: 1000MΩ / min.
5. Withstanding voltage: 500V AC / minute.

Material: Plastic (PA66)

Suitable:

KR2022 series terminal (22AWG~24AWG)

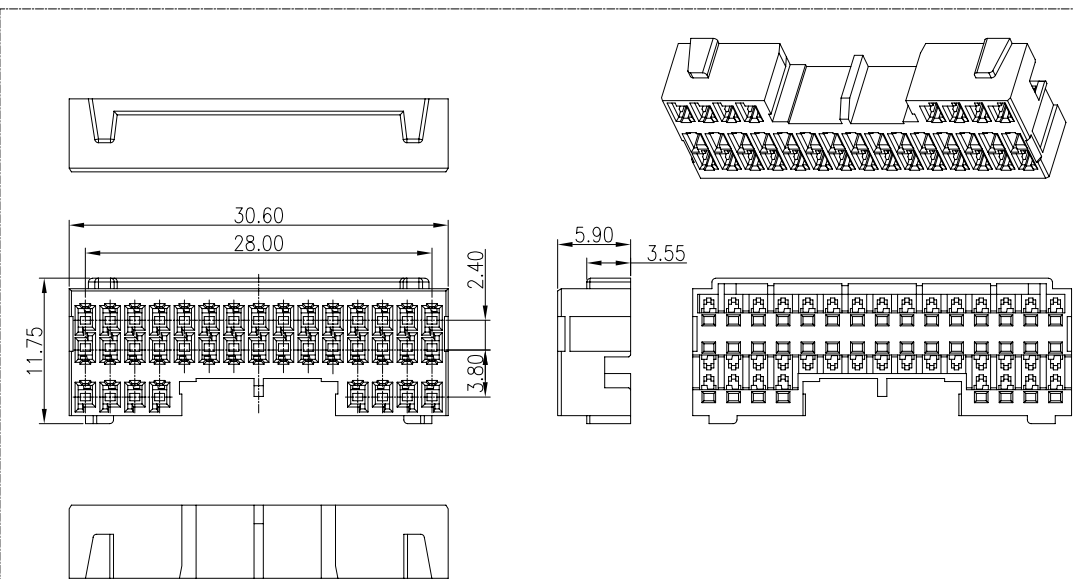
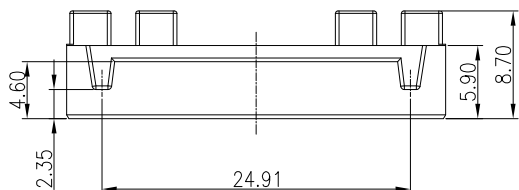
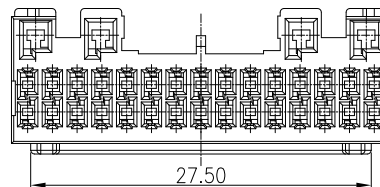
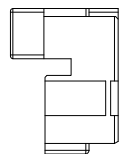
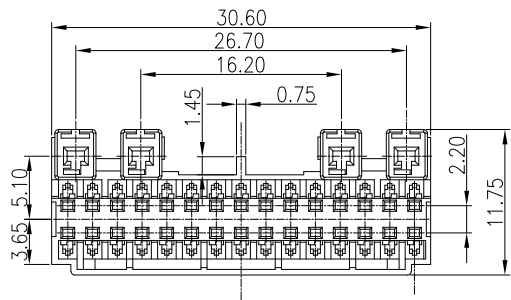
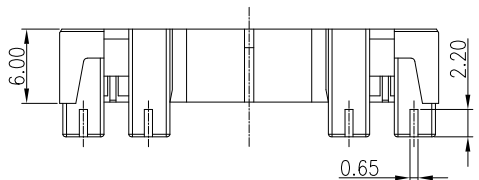
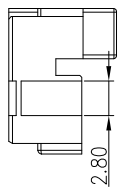
Mated with KR2021 series Wafer

Ordering Code: H202111*** 2401A

134=34P

138=38P

....



MARK

新图发行

Wesley

2023.05.25

REVISION DESCRIPTION

SIGNATURE

DATE

GENERAL TOLERANCE

X.X ±0.30

X.XX ±0.20

X.XXX ±0.10

Angle ±2°

UNIT: mm

DRAWN: Wesley

CHECKED:

APPROVED:

DATE

2023.05.25

TITLE:

34/38 WAY MINI50

FEMALE 下壳

VER. SCALE: 1:1

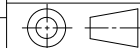
A1 SHEET: 1/1

KONNRA 东莞市康瑞电子有限公司
DongGuan Konnra Electronics Co.,Ltd.

PROJECT

PART NO.

H20211xxx2401A



DRAWING NO.

2021H401-A-S

1

2

3

4

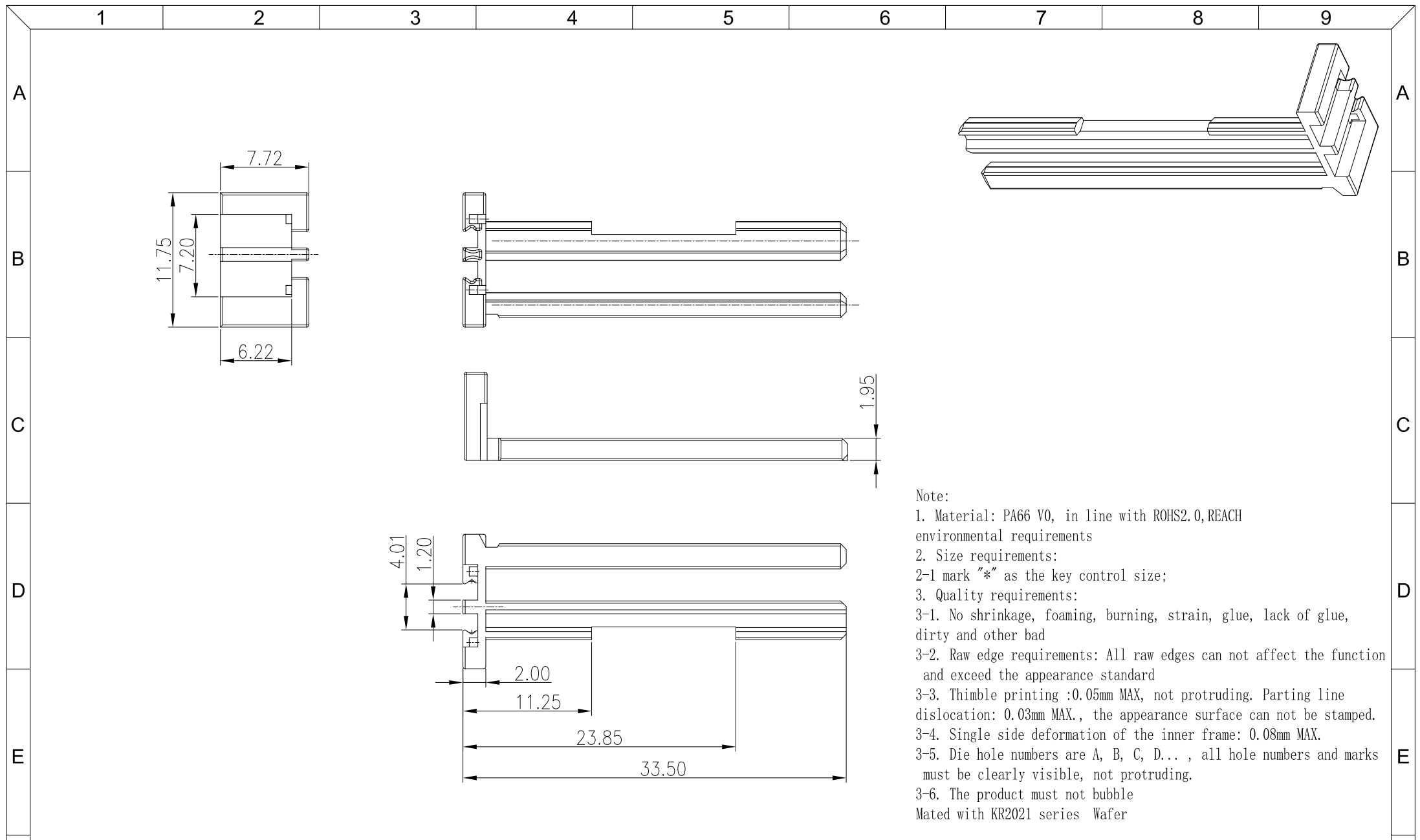
5

6

7

8

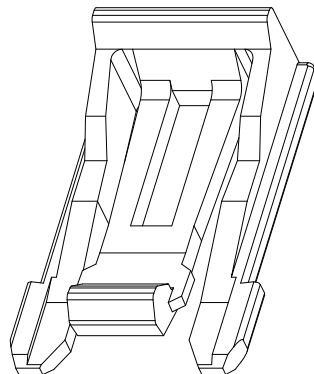
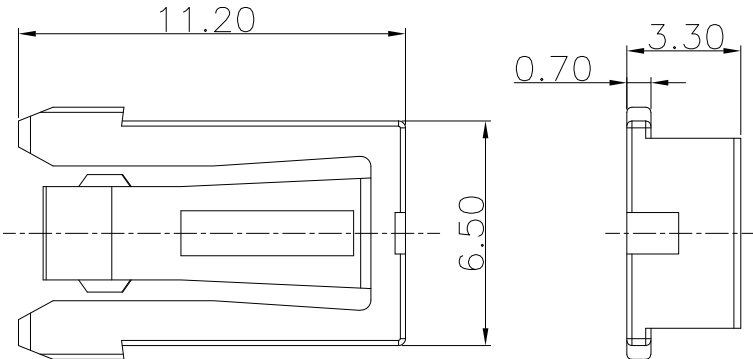
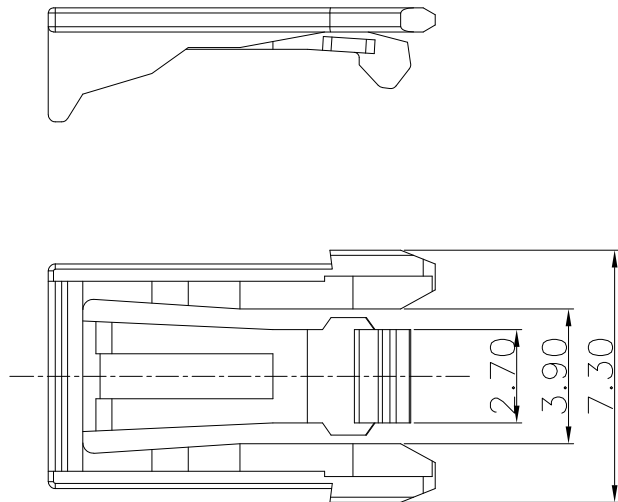
9



Note:

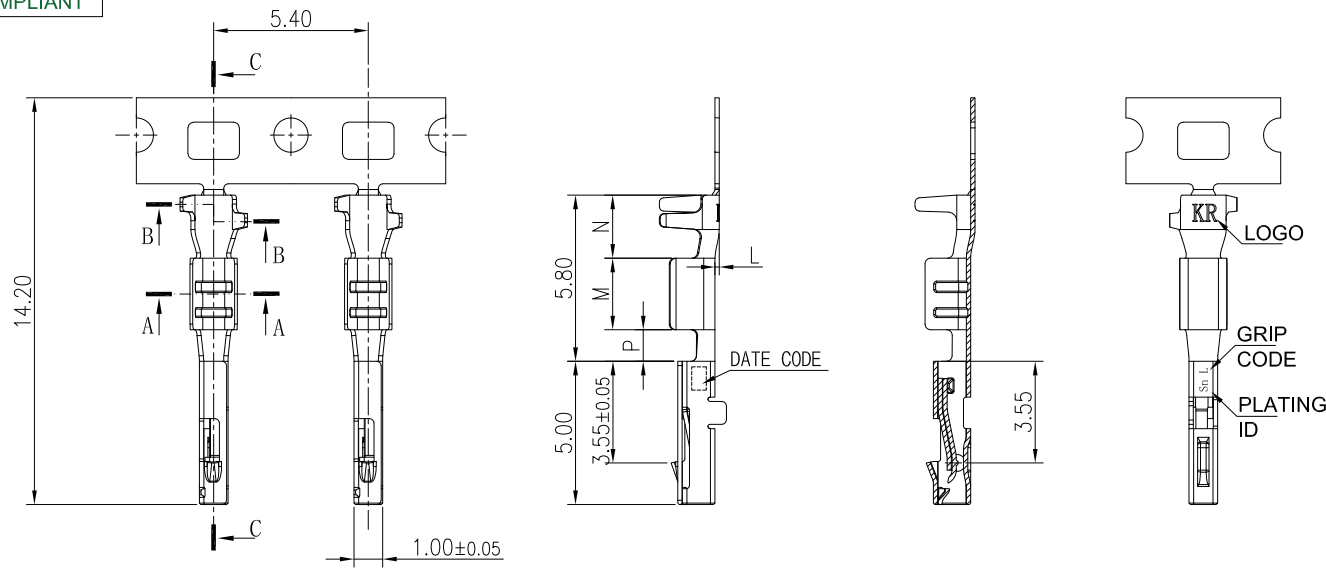
1. Material: PA66 V0, in line with ROHS2.0, REACH environmental requirements
2. Size requirements:
2-1 mark "*" as the key control size;
3. Quality requirements:
3-1. No shrinkage, foaming, burning, strain, glue, lack of glue, dirty and other bad
3-2. Raw edge requirements: All raw edges can not affect the function and exceed the appearance standard
3-3. Thimble printing :0.05mm MAX., not protruding. Parting line dislocation: 0.03mm MAX., the appearance surface can not be stamped.
3-4. Single side deformation of the inner frame: 0.08mm MAX.
3-5. Die hole numbers are A, B, C, D... , all hole numbers and marks must be clearly visible, not protruding.
3-6. The product must not bubble
Mated with KR2021 series Wafer

A3				GENERAL TOLERANCE	UNIT: mm		DATE	TITLE:			KONNRA 东莞市康瑞电子有限公司 DongGuan Konnra Electronics Co.,Ltd.		
A2				X.X ±0.30	DRAWN:	Wesley	2023.05.25	34/38 WAY MINI50 FEMALE LOCK			PROJECT	PART NO.	H202121342401A
A1	新图发行	Wesley	2023.05.25	X.XX ±0.20	CHECKED:			VER.	SCALE:	1:1	DRAWING NO.	2021H401-A-S	
MARK	REVISION DESCRIPTION	SIGNATURE	DATE	X.XXX ±0.10	APPROVED:			A1	SHEET:	1/1			
1	2	3	4	5	6	7	8	9					

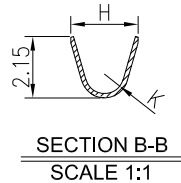
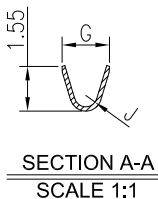
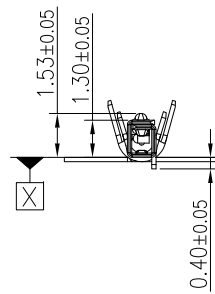
1	2	3	4	5	6	7	8	9
A	<p>Note:</p> <p>1. Material: PA66 V0, in line with ROHS2.0,REACH environmental requirements</p> <p>2. Size requirements: 2-1 mark "*" as the key control size;</p> <p>3. Quality requirements: 3-1. No shrinkage, foaming, burning, strain, glue, lack of glue, dirty and other bad</p> <p>3-2. Raw edge requirements: All raw edges can not affect the function and exceed the appearance standard</p> <p>3-3. Thimble printing :0.05mm MAX, not protruding. Parting line dislocation: 0.03mm MAX., the appearance surface can not be stamped.</p> <p>3-4. Single side deformation of the inner frame: 0.08mm MAX.</p> <p>3-5. Die hole numbers are A, B, C, D... , all hole numbers and marks must be clearly visible, not protruding.</p> <p>3-6. The product must not bubble</p> <p>Mated with KR2021 series Wafer</p>						A	
B							B	
C							C	
D							D	
E							E	

F	A3							
A2				GENERAL TOLERANCE	UNIT: mm	DATE	TITLE:	KONNRA 东莞市康瑞电子有限公司
A1	新图发行	Wesley	2023.05.25	X.X ±0.30	DRAWN: Wesley	2023.05.25	34/38 WAY MINI50 FEMALE CPA	DongGuan Konnra Electronics Co.,Ltd.
MARK	REVISION DESCRIPTION	SIGNATURE	DATE	X.XX ±0.20	CHECKED:		VER. SCALE: 1:1	PROJECT PART NO. H202131342401A
1	2	3	4	5	6	7	8	9
				Angle ±2°	APPROVED:		A1 SHEET: 1/1	DRAWING NO. 2021H401-A-Q

RoHS
COMPLIANT

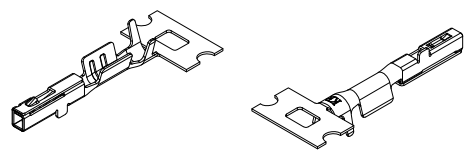


SECTION C-C
SCALE 1:1



SECTION A-A
SCALE 1:1

SECTION B-B
SCALE 1:1



- SPECIFICATIONS**
1. Current rating: 4A AC, DC(0.35mm²)
 2. Voltage rating: 250V AC,DC
 3. Temperature range: -40°C ~ +105°C
 4. Insulation resistance: 100MΩ Min.
 5. Withstanding voltage: 1000V AC/ minute.
 6. Contact resistance: 15mΩ Max.

Material: Copper Alloy
 Plating: Tin plated 80u" MIN and over Nickel
 30u"MIN
 Applicable wire:
 WIRE GAGE:See Table 1
 Insulation O.D.: 1.40mm MAX
 Suitable KR2021 series housing
 Q'ty/reel:10,000PCS

TABLE 1

PART NO.	PLATING	GRIP CODE	WIRE GAGE mm ²	线径 MAX O.D. mm	DIM G	DIM H	DIM J	DIM K	DIM L	DIM M	DIM N	DIM p
/	Sn	M	0.22	1.05	1.65	2.25	0.45	0.47	0.00	2.00	2.40	1.40
/	Sn	S	0.13	1.05	1.32	1.90	0.24	0.41	0.00	2.50	2.20	1.10
T20210P***01A	Sn	L	0.35	1.40	1.65	2.35	0.40	0.68	0.15	2.50	2.20	1.10

F	A3				TOLERANCE	TITLE:	DRAWN: Shen 2022.12.20	KONNRA 东莞市康瑞电子有限公司 DongGuan Konnra Electronics Co.,Ltd.		
	A2				X.X ±0.30	HL 30+4 Terminal	CHECKED:			
	A1	NEW DWG	Shen	2022.12.20	X.XX ±0.20		APPROVED:	PART NO.: T20210CT0101A		
	MARK	REVISION DESCRIPTION	SIGNATURE	DATE	X.XXX ±0.10	UNIT:mm	SCALE:1/1	SHEET:1/1	PROJECTION	REV.:A1